

Excellent Integrated System Limited

Stocking Distributor

Click to view price, real time Inventory, Delivery & Lifecycle Information:

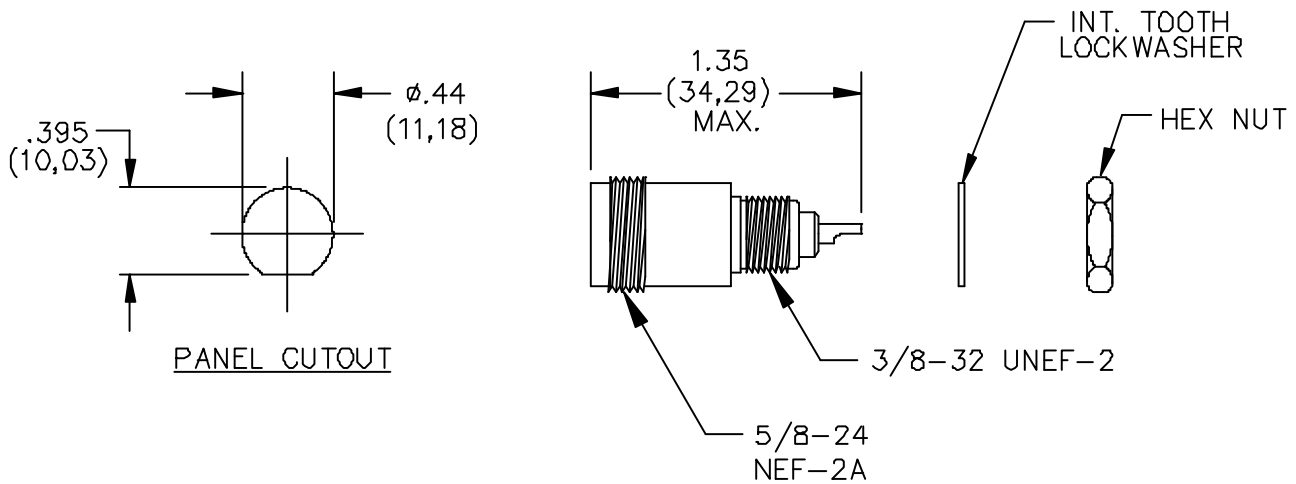
[Pomona Electronics](#)
[4889](#)

For any questions, you can email us directly:

sales@integrated-circuit.com

Pomona[®]

**Model 4889
Type 'N' Female Bulkhead
Receptacle**



MATERIALS:

Body and Fittings: Brass, Alloy 360, 1/2 Hard
Center Contact: Gold Plated Beryllium Copper
Dielectric: PTFE
Finish:

Body and Fittings: Tarnish Resistant
Center Contact Gold Plated

Marking: POMONA ELECT. 4889

RATINGS:

Nominal Impedance: 50 Ohms

ORDERING INFORMATION: Model 4889

All dimensions are in inches and metric. All specifications are to the latest revisions. Specifications are subject to change without notice.
Registered trademarks are the property of their respective companies. Made in USA