

Excellent Integrated System Limited

Stocking Distributor

Click to view price, real time Inventory, Delivery & Lifecycle Information:

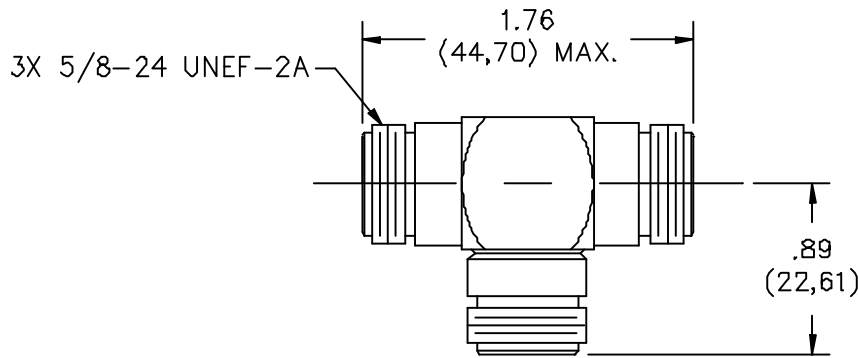
[Pomona Electronics](#)
[5089](#)

For any questions, you can email us directly:

sales@integrated-circuit.com

Pomona®

**Model 5089
 Adapter, N (F), "T"**



MATERIALS:

Body: Brass, White Bronze Plating
 Center Contact: Gold Plated Beryllium Copper
 Dielectric – PTFE
 Finish: Body – Tarnish resistant
 Center Contact – Gold Plated

RATINGS:

Operating Voltage: 1000 VRMS
 Nominal Impedance: 50 Ohms

ORDERING INFORMATION: Model 5089

All dimensions are in inches. Tolerances (except noted): .xx = ±.02" (.51 mm), .xxx = ± .005" (.127 mm).
 All specifications are to the latest revisions. Specifications are subject to change without notice.
 Registered trademarks are the property of their respective companies.

Made in USA