

## Excellent Integrated System Limited

Stocking Distributor

Click to view price, real time Inventory, Delivery & Lifecycle Information:

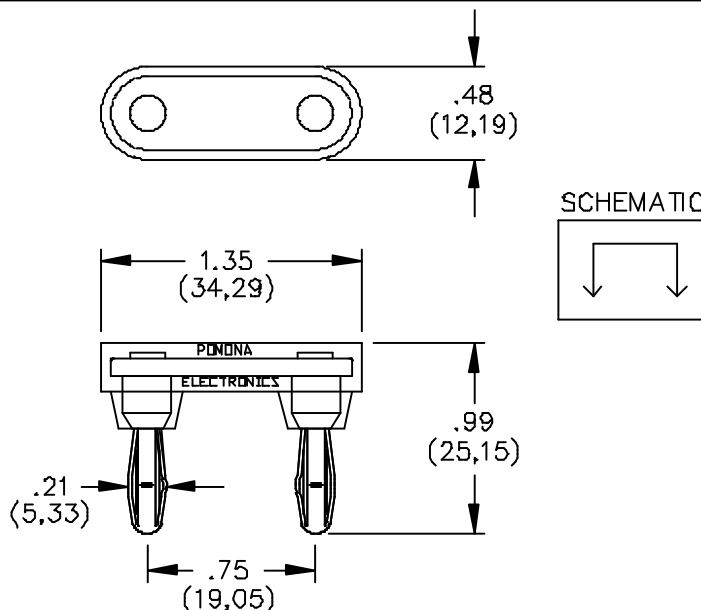
[Pomona Electronics](#)  
[5145](#)

For any questions, you can email us directly:

[sales@integrated-circuit.com](mailto:sales@integrated-circuit.com)

Pomona®

**Model 5145  
 Incapsulated Double Banana Plug  
 Shorting Bar**



**FEATURES:**

- Low profile, completely insulated shorting bar.
- Insulation has finger ridge for ease of insertion and removal.
- Mates to Model #2269 or any standard double banana jack.

**MATERIALS:**

**Shorting Bar:**

Material: Brass per QQ-B-613, Composition 2, ½ Hard.

Finish: Nickel plated per QQ-N-290, Class 2, 200/300 microinches.

**Insulation:**

Polypropylene molded to banana plugs and shorting bar. Color: Clear

Marking: "POMONA ELECTRONICS" "MODEL 5145".

**Banana Plugs:**

Material: Spring – Beryllium Copper per QQ-C-533, Berylco 25, Cond. H.T.

Plug Body – Brass per QQ-B-626, Alloy 360, ½ Hard.

Finish: Nickel plated per QQ-N-290, Class 2, 200/300 microinches.

**RATINGS:**

Operating Temperature: +50°C. (+122°F.) Max.

Current: 15 Amperes

Resistance: Less than 1.5 milliohms installed.

**ORDERING INFORMATION: Model 5145**

All dimensions are in inches. Tolerances (except noted): .xx = ±.02" (.51 mm), .xxx = ±.005" (.127 mm).

All specifications are to the latest revisions. Specifications are subject to change without notice.

Registered trademarks are the property of their respective companies. Made in USA