

Excellent Integrated System Limited

Stocking Distributor

Click to view price, real time Inventory, Delivery & Lifecycle Information:

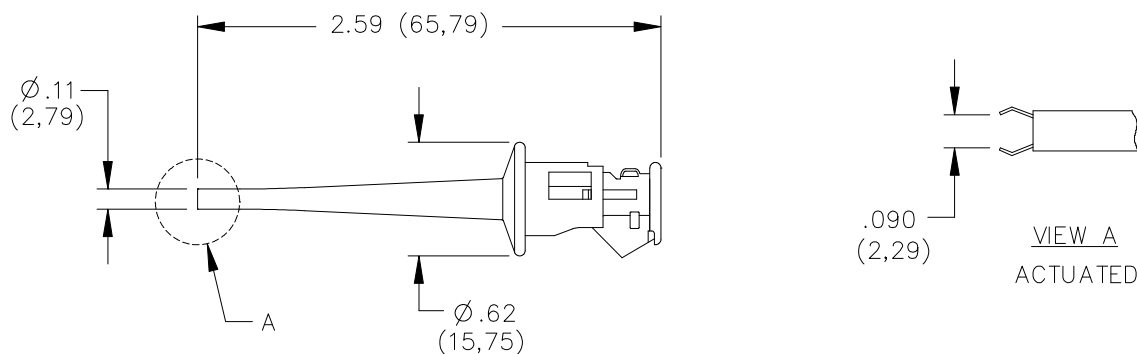
[Pomona Electronics](#)
[5418-0](#)

For any questions, you can email us directly:

sales@integrated-circuit.com

Pomona[®]

Model 5418 With Assembly Instructions
Do-It-Yourself Minipincer[®] Test Clip



FEATURES:

- Ideal for connecting to small circuit board components
- Use with Model #'s 5173, 3690, 122505A or any other Pomona “Do-It-Yourself” product to create custom cables
- Supports 20 to 22 AWG wire

MATERIALS:

Contact: Beryllium Copper, Alloy 165 per QQ-C-533, ¼ HM
 Spring: Stainless Steel, 302
 Finish: Contact – Gold plated per MIL-G-45204, Type 1, Class 00
 Insulation: Glass filled Nylon

RATINGS:

Operating Temperature: +80°C (+176°F) Max
 Operating Voltage: 300 VRMS/DC
 Current: 5 Amperes

ORDERING INFORMATION: Model 5418-*

*=Color, -0 Black, -2 Red

Upon request, -5 Green and -6 Blue colors may be quoted.

All dimensions are in inches and metric. All specifications are to the latest revisions. Specifications are subject to change without notice.
 Registered trademarks are the property of their respective companies. Made in USA

Sales: 800-490-2361 Fax: 425-446-5844
 Technical Support: technicalsupport@pomonatest.com

Pomona[®]

**Model 5418 With Assembly Instructions
 Do-It-Yourself Minipincer[®] Test Clip**

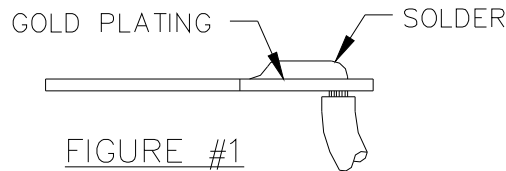


FIGURE #1

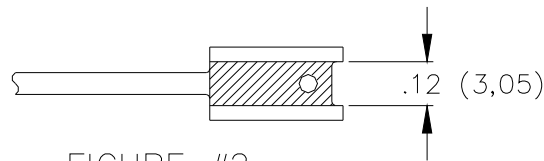


FIGURE #2

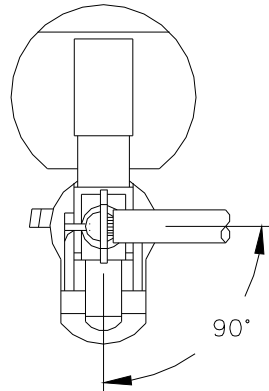


FIGURE #3

FIGURE #1

- A. Remove the cap from housing assembly, the contact will now be exposed.
- B. Insert the wire into the cap assembly allowing approximately 1 to 2 inches of wire to extend beyond the cap.
- C. Strip wire 1/8 to 3/16 inches.
- D. Insert exposed conductor through the hold in the contact and solder to surface.

FIGURE #2

- E. Important: Solder must not extend beyond the indicated width.

FIGURE #3

- F. Install the cap onto the housing assembly. Align the contact with the slots located on the cap.

All dimensions are in inches and metric. All specifications are to the latest revisions. Specifications are subject to change without notice. Registered trademarks are the property of their respective companies. Made in USA

Sales: 800-490-2361 Fax: 425-446-5844
 Technical Support: technicalsupport@pomonatest.com