



Distributor of Pomona Electronics: Excellent Integrated System Limited

Datasheet of 5428-48-0 - MINIGRAB TEST CLIP LEAD 48" BLK

Contact us: sales@integrated-circuit.com Website: www.integrated-circuit.com

Excellent Integrated System Limited

Stocking Distributor

Click to view price, real time Inventory, Delivery & Lifecycle Information:

[Pomona Electronics](#)

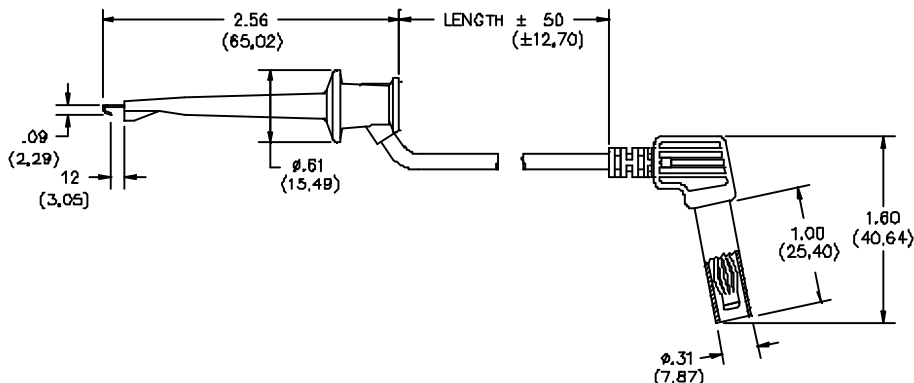
[5428-48-0](#)

For any questions, you can email us directly:

sales@integrated-circuit.com

Pomona®

Model 5428 & 6231 Minigrabber® To Multimeter Plug & Kit



FEATURES:

- Fits most Fluke, Tektronix, H.P. and Wavetek meters.
- Ideal for testing circuit board components.

MATERIALS:

Minigrabber®:

Insulation – Glass filled nylon

Spring – Stainless steel

Contact – Gold plated Beryllium copper.

Sheathed Banana Plug:

Insulation – Polypropylene

Spring – Nickel plated Beryllium Copper

Plug Base – Nickel plated brass.

Wire: 18 AWG, 65 x 36 t.c., PVC insulation.

RATINGS:

Operating Voltage: 300 VRMS/DC

Operating Temperature: +50°C. (+122°F.) Max.

Current 5 Amperes

ORDERING INFORMATION: Model 5428-48-XX-*

XX = Cable Lengths, Standard Lengths: 48" (1219). Additional lengths can be quoted upon request.

*= Color, -0 Black, -2 Red

Ordering Example: 5428-48-2 Indicates 48" in length, color is Red.

Ordering Example: 6231 Kit contains one 5428-48-2 Red and one 5428-48-0 Black

Additional Pop Jack accessories available: Minigrabber®: Pomona Access 90451, Multimeter Test Leads 90452, Minipincer 90453

†All dimensions are in inches. Tolerances (except noted): .xx = ±.02" (.51 mm), .xxx = ±.005" (.127 mm).

All specifications are to the latest revisions. Specifications are subject to change without notice.

Registered trademarks are the property of their respective companies. Made in USA