

Excellent Integrated System Limited

Stocking Distributor

Click to view price, real time Inventory, Delivery & Lifecycle Information:

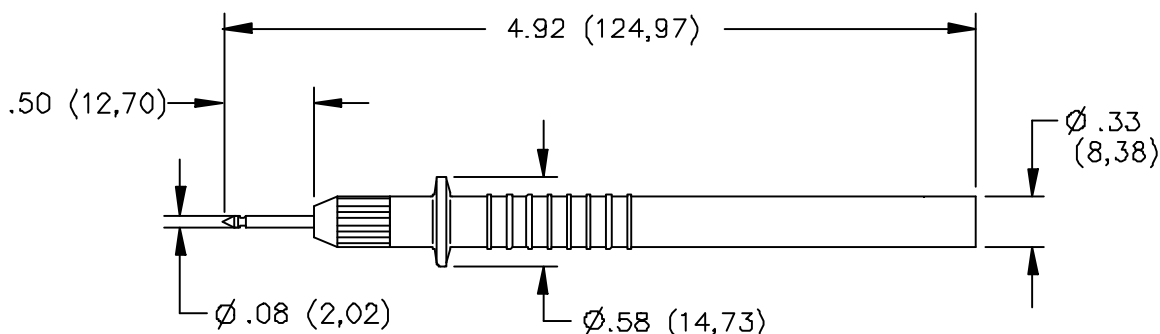
[Pomona Electronics](#)
[5432-0](#)

For any questions, you can email us directly:

sales@integrated-circuit.com

Pomona®

**Model 5432 & 6234
Do-It Yourself Test Probe
& Kit**



FEATURES:

- Install this miniature probe on the end of any 18 to 22 AWG test lead having a maximum insulation O.D. of .115"

MATERIALS:

Body: Brass

Finish: Nickel Plated

Insulation: Nylon

RATINGS:

Operating Temperature: +80° C. (+176° F.) Max.

Operating Voltage: 1500V AC/DC

Current: 10 Amperes

ORDERING INFORMATION: Model 5432-*

*= Color, -0 Black, -2 Red

Ordering Example: 5432-2 Color is Red

6234 (Kit includes one Black and one Red probe).

All dimensions are in inches. Tolerances (except noted): .xx = ±.02" (.51 mm), .xxx = ± .005" (.127 mm).

All specifications are to the latest revisions. Specifications are subject to change without notice.

Registered trademarks are the property of their respective companies. Made in USA