

## Excellent Integrated System Limited

Stocking Distributor

Click to view price, real time Inventory, Delivery & Lifecycle Information:

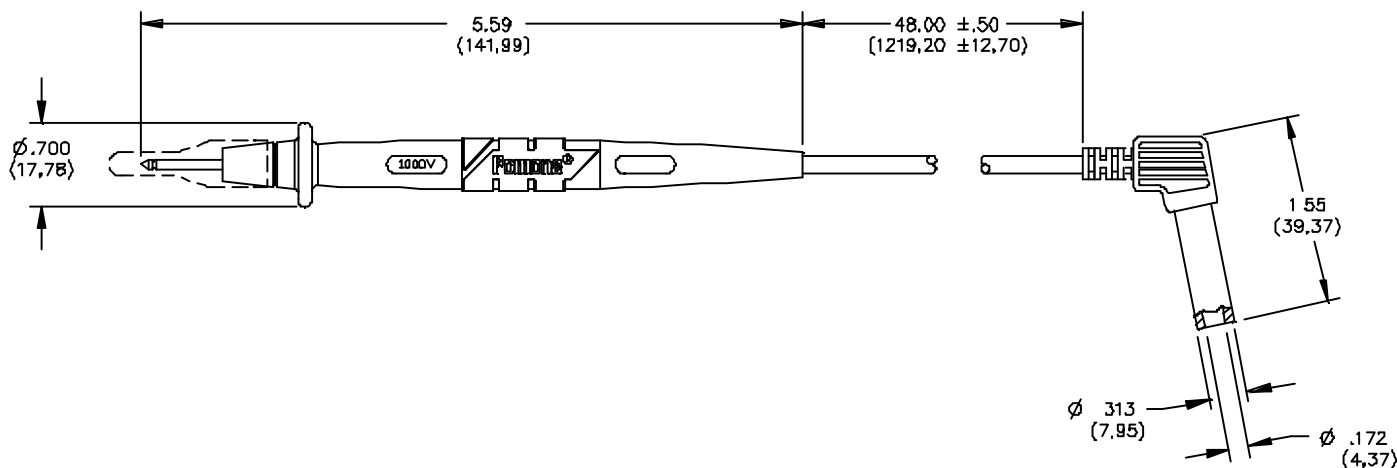
[Pomona Electronics](#)  
[5517A](#)

For any questions, you can email us directly:

[sales@integrated-circuit.com](mailto:sales@integrated-circuit.com)

Pomona®

**Model 5517A  
 Replacement Test Lead For Simpson  
 Reverse Lead Set DMM's**



**FEATURES:**

- Designed for older Simpson meters with a reverse lead set such as Simpson Models 260-7/-8.
- Probe body incorporates a two step mold process. First step is Polypropylene for probe rigidity. Second step is Santoprene rubber for handling comfort, added insulation protection and wire strain relief.
- Probe test leads are designed with over-voltage spike protection of up to 6kV.
- Probe body and banana jack are molded directly to the wire for robust pull strength.
- Wire is a high strand count silicone wire for extreme flexibility and high temperature resistance.

**MATERIALS:**

Probe Body: Santoprene Rubber (Color: Gray) Over Polypropylene: Fire Retardant  
 (Color: One Black, One Red)

Tip: Brass, Nickel Plated

Wire: 18 AWG, 65 x 36 Tinned Copper Strand, Silicone Insulation, O.D. .144" (3,66 mm)

Banana Jack: Body – Brass, Nickel Plated

Insulation – PVC, Color: One Black, One Red

**RATINGS:**

Operating Voltage: 1000 VRMS/DC

Current: 10 Amperes

**ORDERING INFORMATION: Model 5517A**

Includes a set of one black and one red test probes.

All dimensions are in inches. Tolerances (except noted): .xx = ±.02" (.51 mm), .xxx = ± .005" (.127 mm).

All specifications are to the latest revisions. Specifications are subject to change without notice.

Registered trademarks are the property of their respective companies. Made in USA