

Excellent Integrated System Limited

Stocking Distributor

Click to view price, real time Inventory, Delivery & Lifecycle Information:

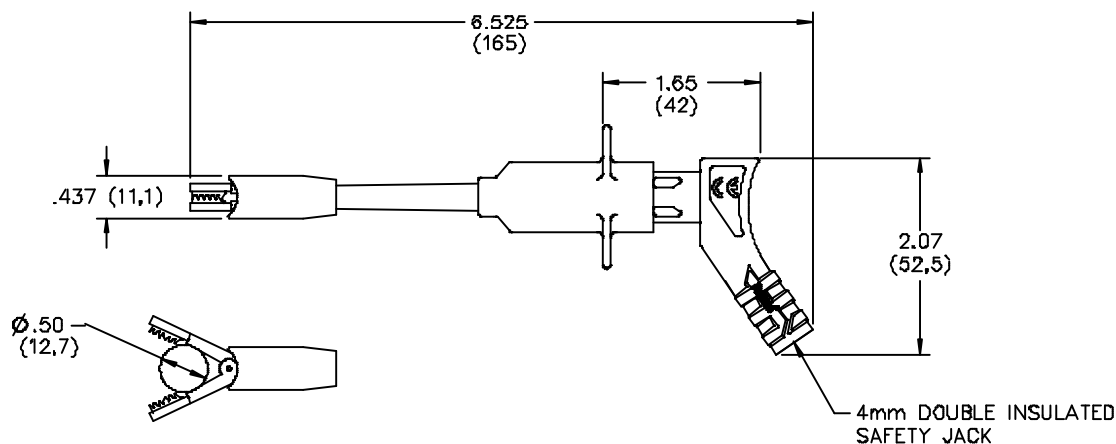
[Pomona Electronics](#)
[5912A](#)

For any questions, you can email us directly:

sales@integrated-circuit.com

Pomona®

Model 5912A
Maxigrabber® Set Alligator Set



FEATURES:

- Maxigrabber® set has been redesigned to meet IEC 1010-2-31. This is the latest international safety standard for test accessories.
- The long shaft is ideal for electronic, electrical and industrial applications where access to hard to reach high voltage test points is a requirement.
- Safety sheathed jack mates to Pomona’s 5907A, 5908A and 5909A Flexible Test Leads for Digital Multi-Meter interfacing.
- Alligator tips include an insulated guard for circuit protection.

MATERIALS:

Alligator: Beryllium Copper, Nickel Plated
 Plunger, Housing, Alligator Insulator Body, Alligator Tip Guards: Polypropylene, Color: One Black or Red
 Banana Jack: Body - Brass, Nickel Plated
 Tube: Polypropylene, Color: Yellow
 Compression Spring: Stainless Steel

RATINGS:

UL-3111 Rated
 IEC 1010, Category III, P2 Compliant
 Voltage: 1000 VRMS/DC
 Current: 10 Amperes Max.

ORDERING INFORMATION: 5912A (Includes Set of one black and one red)

The Maxigrabber® Test Clip is also available in various Pomona DMM Test Kits.

All dimensions are in inches. Tolerances (except noted): .xx = ±.02” (.51 mm), .xxx = ± .005” (.127 mm).
 All specifications are to the latest revisions. Specifications are subject to change without notice.
 Registered trademarks are the property of their respective companies. Made in USA