

Excellent Integrated System Limited

Stocking Distributor

Click to view price, real time Inventory, Delivery & Lifecycle Information:

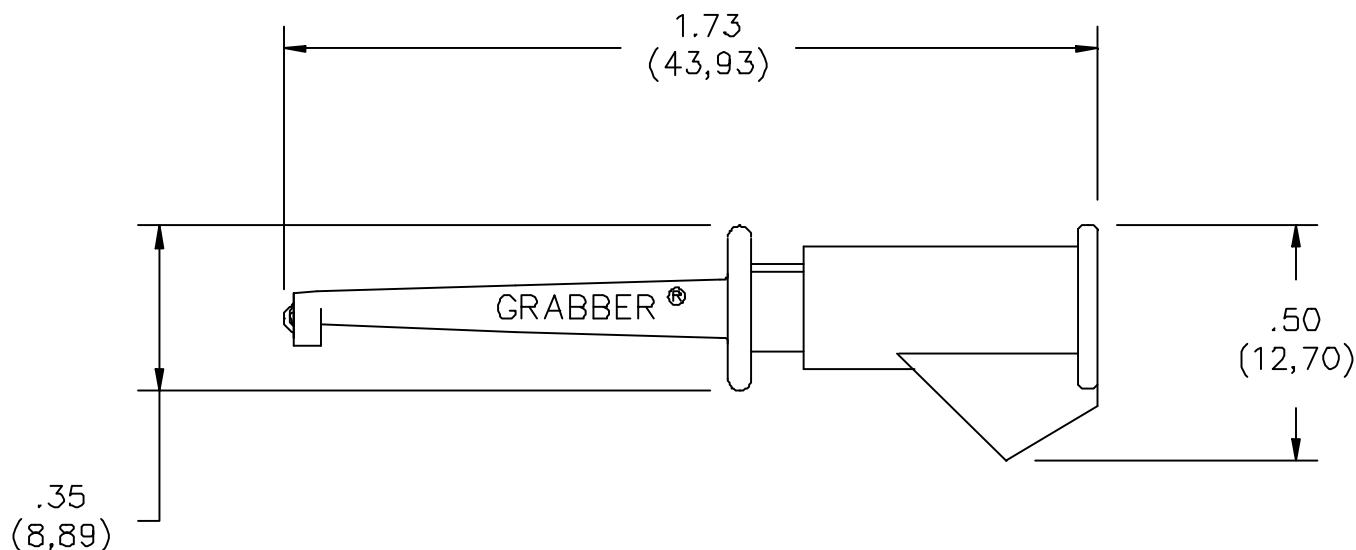
[Pomona Electronics](#)
[5925/POM](#)

For any questions, you can email us directly:

sales@integrated-circuit.com

Pomona®

Model 4521 & 5925 Kit Micrograbber® Test Clip With .64 (.025) Sq. Pin



MATERIALS:

Contact – Beryllium Copper, Alloy 165, ½ HM.

Spring – Stainless Steel, 302

Sq. Pin – Phosphor Bronze, Alloy 510

Finish:

Contact & Sq. Pin – Gold plated per MIL-G_45204, Type II, Class 00 over nickel.

Insulation: Glass filled nylon.

Marking: “POMONA GRABBER® 4521”

Overall Length: 1.73”

RATINGS:

Operating Temperature: +102°C. (+216°F.) Max.

Operating Voltage: 150 VRM/DC

Current: 3 Amperes

ORDERING INFORMATION: Model 4521-* & Model 5925 Kit

* = Color, Standard Colors: -0 Black, -1 Brown, -2 Red, -3 Orange, -4 Yellow, -5 Green, -6 Blue, -7 Violet, -8 Gray, -9 White

Available in 10 colors.

Kit 5925 contains 10 pieces of 4521 clips, one of each color.

All dimensions are in inches. Tolerances (except noted): .xx = ±.02” (.51 mm), .xxx = ± .005” (.127 mm).

All specifications are to the latest revisions. Specifications are subject to change without notice.

Registered trademarks are the property of their respective companies.

Made in USA