

Excellent Integrated System Limited

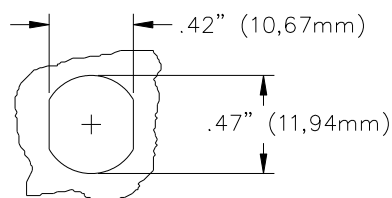
Stocking Distributor

Click to view price, real time Inventory, Delivery & Lifecycle Information:

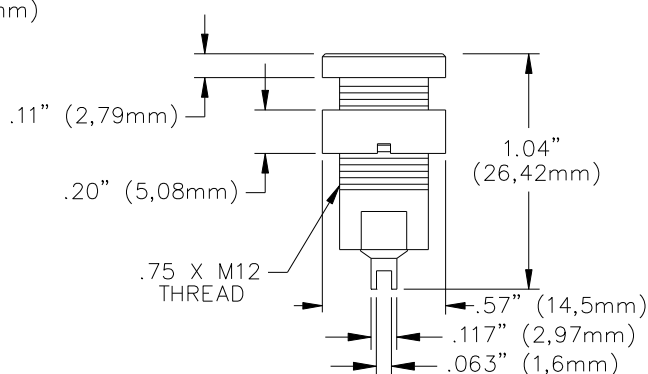
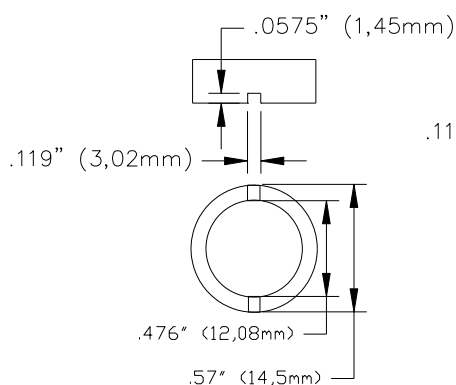
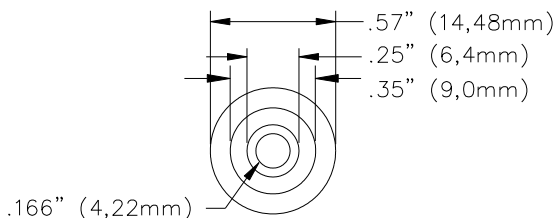
[Pomona Electronics](#)
[5931-0](#)

For any questions, you can email us directly:

sales@integrated-circuit.com



PANEL CUTOUT



FEATURES:

- ✓ Banana jack mates to Pomona's models 5907A, 5908A & 5909A flexible sheathed style of DMM test leads.
- ✓ Ring threads onto the insulated body to firmly secure jack to panel.
- ✓ Banana jack is gold plated for superb electrical connection.
- ✓ Recommended Panel Thickness: .28" (7,0mm)

MATERIALS:

Banana Jack: Gold Plated Brass

Insulation: Nylon

Locking Ring: Nickel Plated Brass

RATING:

Operating Voltage: Hands free usage in controlled voltage environments: 1000 Vrms maximum. *For CE compliance:* not intended for hand-held use at voltages above 33 Vrms/70 Vdc.

Current: 36 Amperes

ORDERING INFORMATION:

Model 5931-Color

Color =: 0 (Black), 2 (Red), 4 (Yellow), 5 (Green), 6 (Blue), 9 (White)

Ordering Example: 5931-2 (Red banana jack, Sold in packs of ten)

All dimensions are in inches. Tolerances (except noted): .xx = ±.02" (.51 mm), .xxx = ±.005" (.127 mm).

All specifications are to the latest revisions. Specifications are subject to change without notice.

Registered trademarks are the property of their respective companies.

Sales: 800-490-2361 Fax: 888-403-3360 Technical Support: 800-241-2060 (technicalsupport@pomonatest.com)
For "Where to Buy" information, visit the Pomona web site at www.pomonaelectronics.com