

## Excellent Integrated System Limited

Stocking Distributor

Click to view price, real time Inventory, Delivery & Lifecycle Information:

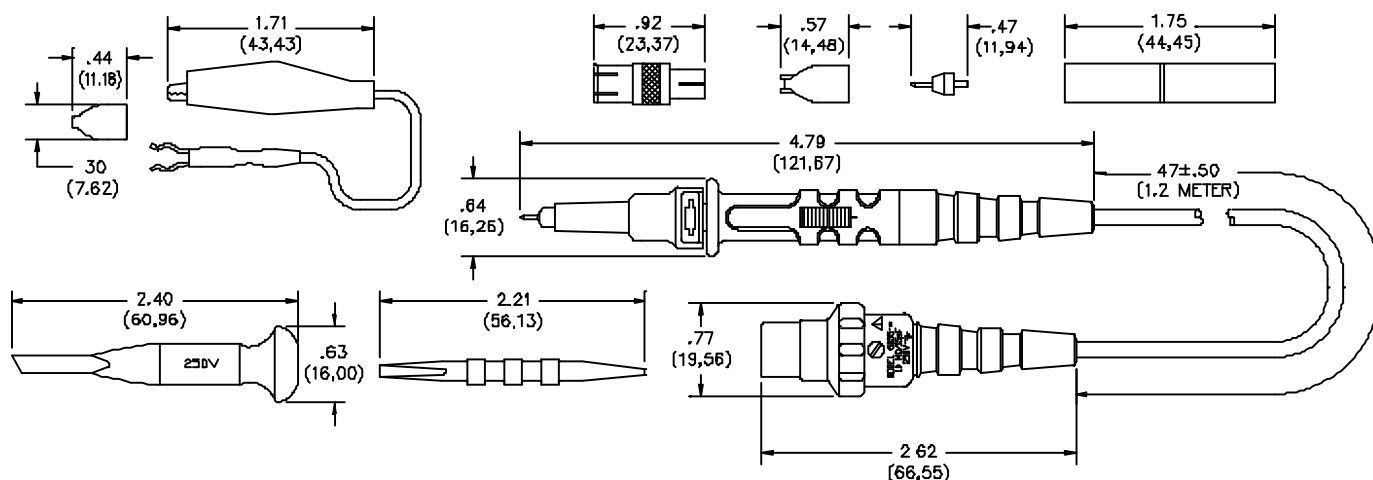
[Pomona Electronics](#)  
[6035-2](#)

For any questions, you can email us directly:

[sales@integrated-circuit.com](mailto:sales@integrated-circuit.com)

# Pomona®

## Model 6035 Fully Insulated Switchable Oscilloscope Probes



### FEATURES:

- Kit includes one Oscilloscope probe and below listed accessories.
- Probes are fully insulated for use with Fluke ScopeMeters®, and Portable Oscilloscopes.

### RATINGS:

#### Performance Specifications:

Attenuation:	Bandwidth (MHz)	Input Impedance (MW)	Input Capacitance (pF)	Approx. Rise Time (nS)	Voltage (V Max.) +	Compensation Range (pF)	Cable Length:
X1/X10	20/200	1/10	47/15	17.5/1.8	250	10-60	1.2 Meters

+ Derated with Frequency

#### ACCESSORIES INCLUDED IN KIT

Description:	Pomona Reordering Part Number:
Full Acc. Kit	6034-2 (Red), 6034-8 (Gray)
Sprung Hook	6095-2 (Red), 6095-8 (Gray)
Trimmer Tool	6096
IC Tip	6097
Insulating Tip	6098
BNC Adapter	5822
Replacement Tip	6099
Ground Lead	5825
Sheathed Banana Plug Adapter	6100

All dimensions are in inches. Tolerances (except noted): .xx = ±.02" (.51 mm), .xxx = ±.005" (.127 mm).

All specifications are to the latest revisions. Specifications are subject to change without notice.

Registered trademarks are the property of their respective companies. Made in USA

Pomona®

**Model 6035**  
**Fully Insulated Switchable**  
**Oscilloscope Probes**

---

**ORDERING INFORMATION:** Model 6035-\*      \* = Color, -2 Red, -8 Gray

All dimensions are in inches. Tolerances (except noted): .xx = ±.02" (.51 mm), .xxx = ±.005" (.127 mm).  
All specifications are to the latest revisions. Specifications are subject to change without notice.  
Registered trademarks are the property of their respective companies. Made in USA