



Distributor of Pomona Electronics: Excellent Integrated System Limited

Datasheet of 6246-48-0 - CORD PATCH MINIGRAB 48" BLACK

Contact us: sales@integrated-circuit.com Website: www.integrated-circuit.com

Excellent Integrated System Limited

Stocking Distributor

Click to view price, real time Inventory, Delivery & Lifecycle Information:

[Pomona Electronics](#)

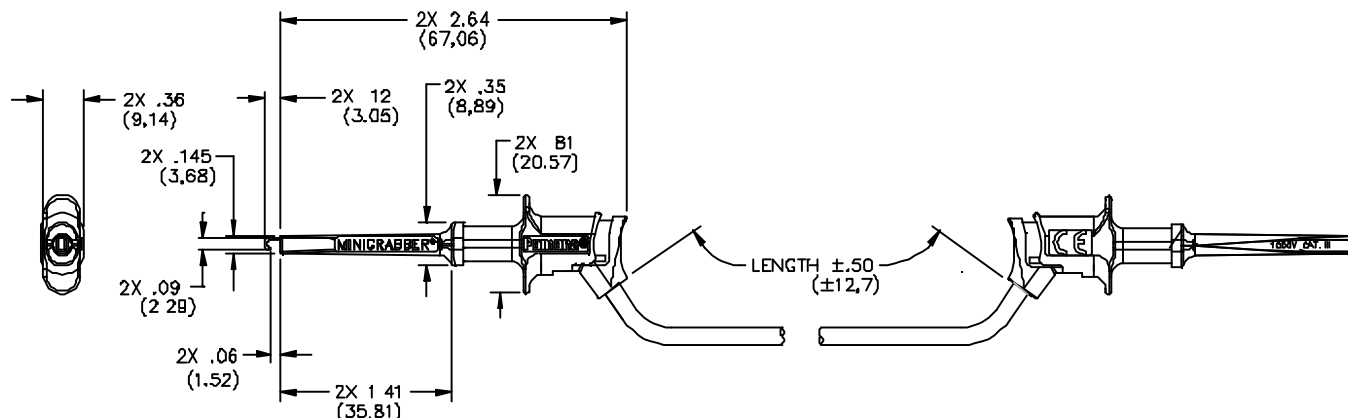
[6246-48-0](#)

For any questions, you can email us directly:

sales@integrated-circuit.com

Pomona®

Model 6246
Minigrabber® Test Clip Patch
Cord – IEC 1010 Compliant



FEATURES:

- Newly designed Minigrabber® Test Clip Patch Cord offers a high 300 Volt and 5 amp rating.
- Grabber width is a slim .36" (9,14 mm) for easier access to test terminals.
- Grabber hook is gold plated Beryllium Copper to ensure signal integrity & attaches onto component leads up to .060" (1,5 mm) O.D.
- High strand count silicone insulated wire offers excellent flexibility and high temperature resistance.

MATERIALS:

Grabber: Body: Nylon – Fire Retardant

Hook: Beryllium Copper, Gold Plated, Compression Spring: Music Wire

Wire: 18 AWG, 65 x 36 t.c., Insulation – Silicone, .144" (3,66 mm) O.D., Color per Part Number

RATINGS:

IEC 1010 2-031

Operating Voltage: 300 V, CAT II, P2

Current: 5 Amperes Max.

ORDERING INFORMATION: Model 6246-XX-*

XX = Length in Inches, Standard Lengths: 12" (305), 24" (610), 36" (914), 48" (1219), 60" (1524)

* = Color Code, -0 Black and -2 Red

Additional lengths can be quoted upon request.

All dimensions are in inches. Tolerances (except noted): .xx = ±.02" (.51 mm), .xxx = ± .005" (.127 mm).

All specifications are to the latest revisions. Specifications are subject to change without notice.

Registered trademarks are the property of their respective companies. Made in USA