

Excellent Integrated System Limited

Stocking Distributor

Click to view price, real time Inventory, Delivery & Lifecycle Information:

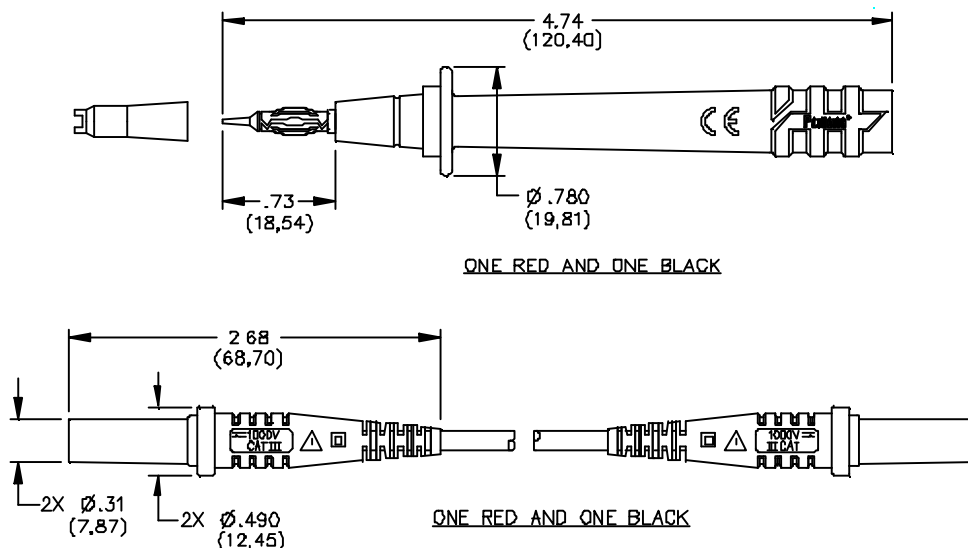
[Pomona Electronics](#)
[6305](#)

For any questions, you can email us directly:

sales@integrated-circuit.com

Pomona®

**Model 6305
Basic Modular Probe Test
Lead Kit**



FEATURES:

- Fits Fluke, H-P, Tekronix, Wavetek and Amprobe DMM's with sheathed style safety jacks.
- Flexible test leads feature high strand count silicone wire for extreme flexibility and high temperature resistance. Banana plugs are double crimped to the wire and the plugs are molded directly to the wire for added pull strength.

MATERIALS:

Probe: Insulation – Nylon 6, Fire Retardant, UL94 V-O Rated, Color: One Black, One Red

Banana Spring Probe Tip – Brass, Nickel Plated Body, Beryllium Copper Spring, Probe Cap-Nylon 6

Test Leads (Male to Male) – Multi-Stranded Wire: 18 AWG Silicone, Color: One Black, One Red

Banana Plug: Insulation: Nylon 6 Color: One Black, One Red

RATINGS:

Conforms to IEC 1010, Cat. III, P2

Operating Voltage: 1000 VRMS/DC

Current: 10 Amperes

ORDERING INFORMATION: Model 6305 Contains set of one black and one red modular probe and test lead.

All dimensions are in inches. Tolerances (except noted): .xx = ±.02" (.51 mm), .xxx = ± .005" (.127 mm).

All specifications are to the latest revisions. Specifications are subject to change without notice.

Registered trademarks are the property of their respective companies. Made in USA