

Excellent Integrated System Limited

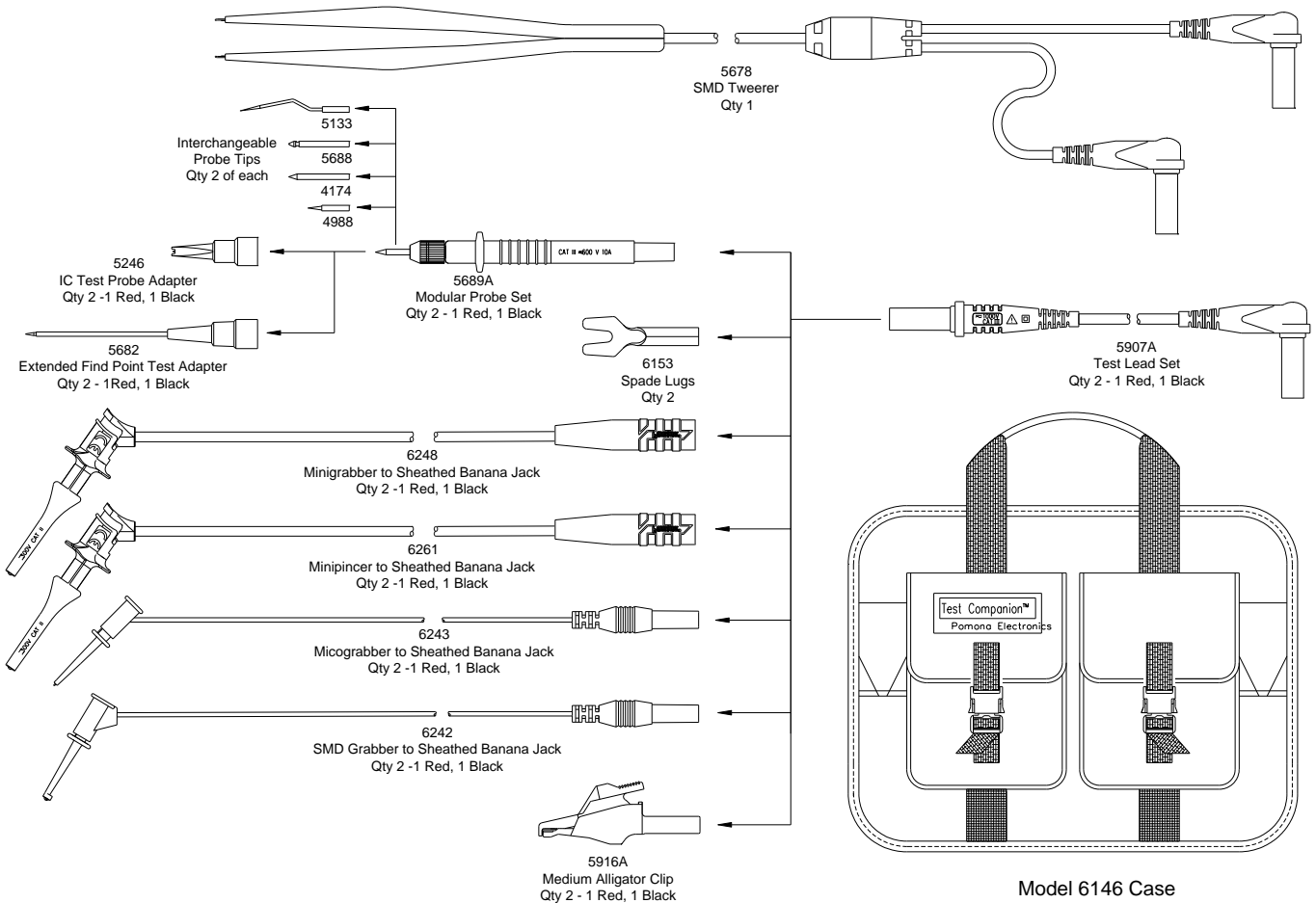
Stocking Distributor

Click to view price, real time Inventory, Delivery & Lifecycle Information:

[Pomona Electronics](#)
[6345](#)

For any questions, you can email us directly:

sales@integrated-circuit.com



For data sheets / specifications of the kit individual components, visit the Pomona web site at:
www.pomonaelectronics.com

FEATURES:

- ✓ Test leads with a right angle banana plug are ideal for use with hand held digital multimeter.
- ✓ Flexible test leads feature high strand count silicone wire for extreme flexibility and high temperature resistance.
- ✓ Banana plugs are molded directly to the wire for superior pull strength.
- ✓ Test probe body, alligator, spade lug and test clips attaches directly to test leads for testing versatility
- ✓ Test Probe with interchangeable tips
- ✓ Test accessories conveniently store in the shoulder-pack with carrying strap.
- ✓ Compatible with most multimeters that accept safety style sheathed banana plugs.

All dimensions are in inches. Tolerances (except noted): .xx = ±.02" (.51 mm), .xxx = ± .005" (.127 mm).
 All specifications are to the latest revisions. Specifications are subject to change without notice.
 Registered trademarks are the property of their respective companies.