

Excellent Integrated System Limited

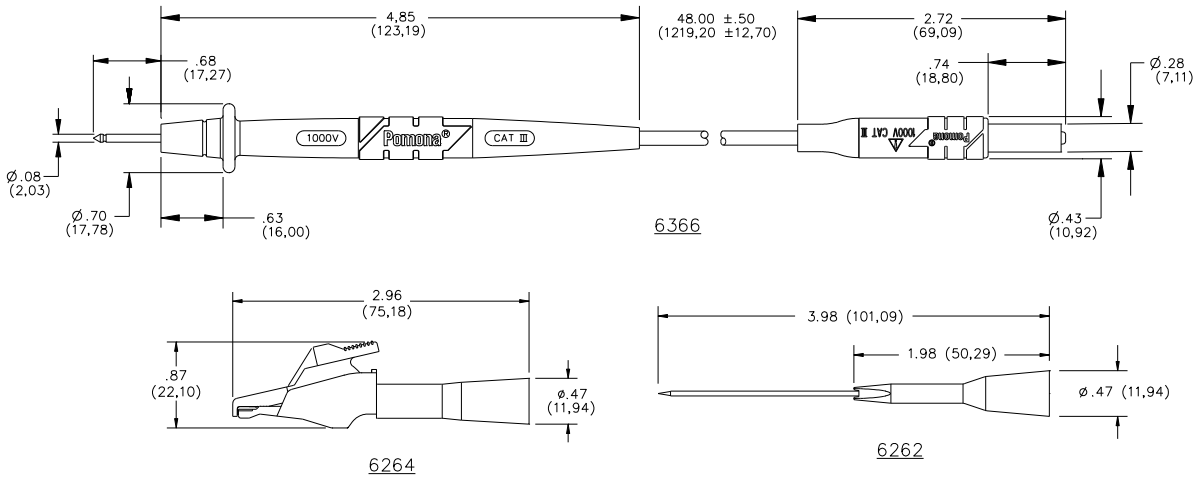
Stocking Distributor

Click to view price, real time Inventory, Delivery & Lifecycle Information:

[Pomona Electronics](#)
[6456](#)

For any questions, you can email us directly:

sales@integrated-circuit.com



FEATURES:

- Test accessories comply with IEC 1010-2-031 requirements
- Extended slide on tip adapter fits directly over probe, allowing testing of hard to reach test points
- Compatible with most Fluke, Amprobe, H.P., Tektronic & Wavetek digital multimeters

MATERIALS:

Model **6366**: Test Probe with Retractable Sleeve DMM plug: Probe Body: Outer Insulation - Santoprene® Rubber, Color: Gray, Inner Insulation – Polypropylene Fire Retardant, Color: One Black, One Red, Tip: Brass, Wire: 18 AWG, 65 x 36 Tinned Copper Stand, Silicone Insulation, Length: 48” (122cm), O.D. .144” (3,66mm)
 Banana Plug: Body – Brass, Nickel Plated, Spring – Beryllium Copper, Nickel Plated, Insulation – Polypropylene, Color: One Black, One Red, **RATINGS**: IEC 1010-2-031, Category III, P2 Compliant, Operating Voltage: 1000V, Current: 10 Amperes

Model **6264**: Alligator Clip Adapter: Body–Steel, Nickel Plated, Insulation–Polypropylene fire retardant, Spring: Music Wire, **RATINGS**: IEC 1010-2-031, Category III, P2 Compliant, Operating Voltage: 300V, Current: 3 Amperes.

Model **6262**: Extended Tip Probe Adapter: Tip: Stainless Steel, Tip Insulation: Kynar, Body: Polypropylene fire retardant, **RATINGS**: IEC 1010-2-031, Category II, P2 Compliant, Operating Voltage: 300V, Current: 3 Amperes.

ORDERING INFORMATION: Model 6456 (Includes a kit of items from above)

Replacement P/N's: Model **6264**: Alligator Clip Adapter, Model **6262**: Extended Tip Probe Adapter, Model **6366**: Test Probe with Retractable Sleeve DMM Plug.

All dimensions are in inches. Tolerances (except noted): .xx = $\pm .02$ " (.51 mm), .xxx = $\pm .005$ " (.127 mm).

All specifications are to the latest revisions. Specifications are subject to change without notice.

Registered trademarks are the property of their respective companies.

Sales: 800-490-2361 Fax: 888-403-3360 Technical Assistance: 800-241-2060
 For "Where to Buy" information, visit the Pomona web site at www.pomonaelectronics.com