

Excellent Integrated System Limited

Stocking Distributor

Click to view price, real time Inventory, Delivery & Lifecycle Information:

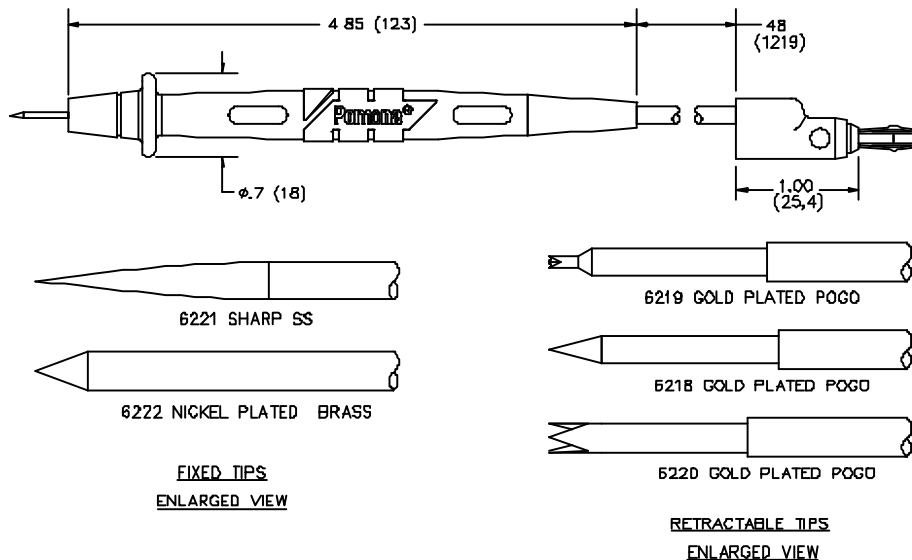
[Pomona Electronics](#)
[6473](#)

For any questions, you can email us directly:

sales@integrated-circuit.com

Pomona®

Model 6473 Test Probe Set with Replaceable Tips



FEATURES:

- Stacking banana plug fits most banana jack or binding post inputs
- Probe body incorporates a two-step mold process. First step is polypropylene for strength; second step is Santoprene® rubber for handling comfort, added insulation protection and wire strain relief
- Probe body and banana plug are molded directly to the wire for robust pull strength
- Wire is a high strand count silicone wire for extreme flexibility and high temperature resistance

MATERIALS:

Probe:

Outer Insulation: Santoprene® rubber, color: gray

Inner Insulation: Polypropylene, color: one black, one red

Tip: Gold plated Beryllium Copper

Wire: 18 AWG, Silicone insulation, length: 48"

Banana Plug: Nickel plated brass

Spring: Nickel plated Beryllium Copper

Plug Insulation: polypropylene, one black, one red

RATINGS:

Operating Voltage: 30VAC/60VDC

Current: 5 Amperes

ORDERING INFORMATION: Model 6473

Includes a set of one black and one red test lead with ten replaceable tips (two of each shown above)

All dimensions are in inches.

All specifications are to the latest revisions. Specifications are subject to change without notice.

Registered trademarks are the property of their respective companies. Made in USA