



Distributor of Pomona Electronics: Excellent Integrated System Limited

Datasheet of 6475 - TEST PROBE TIPS .060IN (5SETS)

Contact us: sales@integrated-circuit.com Website: www.integrated-circuit.com

Excellent Integrated System Limited

Stocking Distributor

Click to view price, real time Inventory, Delivery & Lifecycle Information:

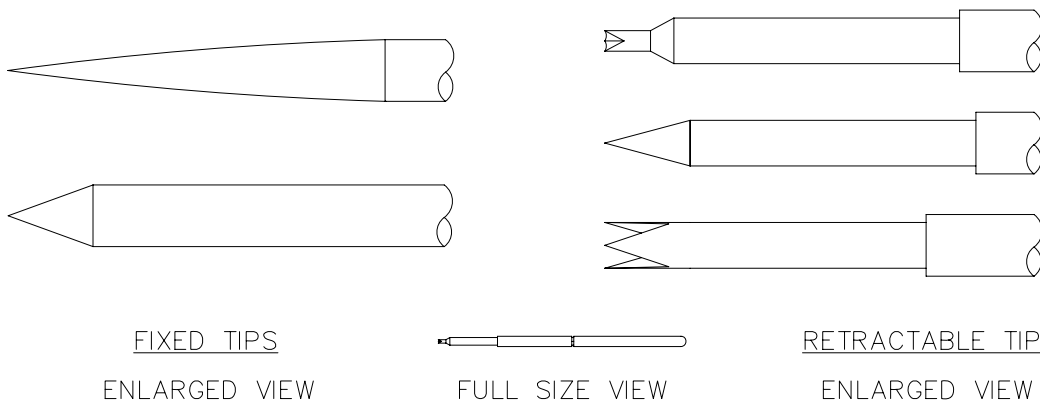
[Pomona Electronics](#)
[6475](#)

For any questions, you can email us directly:

sales@integrated-circuit.com

Pomona®

Model 6475 Test Probe Tips For 060 Series Probes



FEATURES:

Model 6475 is a set of two each of the following five probes that fit Pomona probes that use the 0.060 inch ((1.52mm) diameter test probe tips.

Sharp Stainless-Steel Tip

- Rigid stainless-steel tip is hardened for heavy duty use
- Sharp, hardened point will penetrate conformal coatings and heavy surface contamination

Nickel Plated Brass Tip

- Rigid nickel plated brass tip is perfect for precision measurement
- Sharp tip resists wear
- This is the best tip for every day use

Triple Point Micro Tip

- Gold plated pogo pin tip has .018" diameter Tip with three sharp points
- Sharp point digs into soft metals like solder for low resistance connections
- Self-cleaning tip pierces surface coatings or contamination

Sharp Point Tip

- Pogo pin helps to hold the test point even if the probe is moved

- Gold plated pogo pin tip has a sharp tapered point
- Sharp point digs into soft metals like solder for low resistance connections
- Self-cleaning tip pierces surface coatings or contamination
- Pogo pin helps to hold the test point even if the probe is moved

Triple Point Tip

- Gold plated pogo pin tip has three sharp points
- Sharp point digs into soft metals like solder for low resistance connections
- Self-cleaning tip pierces surface coatings or contamination
- Pogo pin helps to hold the test point even if the probe is moved

All dimensions are in inches and metric. All specifications are to the latest revisions. Specifications are subject to change without notice. Registered trademarks are the property of their respective companies. Made in USA

Sales: 909-469-2900 Fax: 909-629-3317
Technical Assistance: 800-241-2060

PomonaACCESS 90888 (800) 444-6785 or (909) 469-2991
More drawings available at www.pomonaelectronics.com

Pomona[®]

| |
|--|
| <p>Model 6475 Test Probe Tips For 060 Series Probes</p> |
|--|

MATERIALS:

Pogo-pin Tips: Gold Plated Beryllium Copper

Rigid Tips: Stainless-Steel or Nickel Plated Brass

RATINGS:

Maximum Current: 5 Amperes

ORDERING INFORMATION: Full Kit: Model 6475

All dimensions are in inches and metric. All specifications are to the latest revisions. Specifications are subject to change without notice.
Registered trademarks are the property of their respective companies. Made in USA