

Excellent Integrated System Limited

Stocking Distributor

Click to view price, real time Inventory, Delivery & Lifecycle Information:

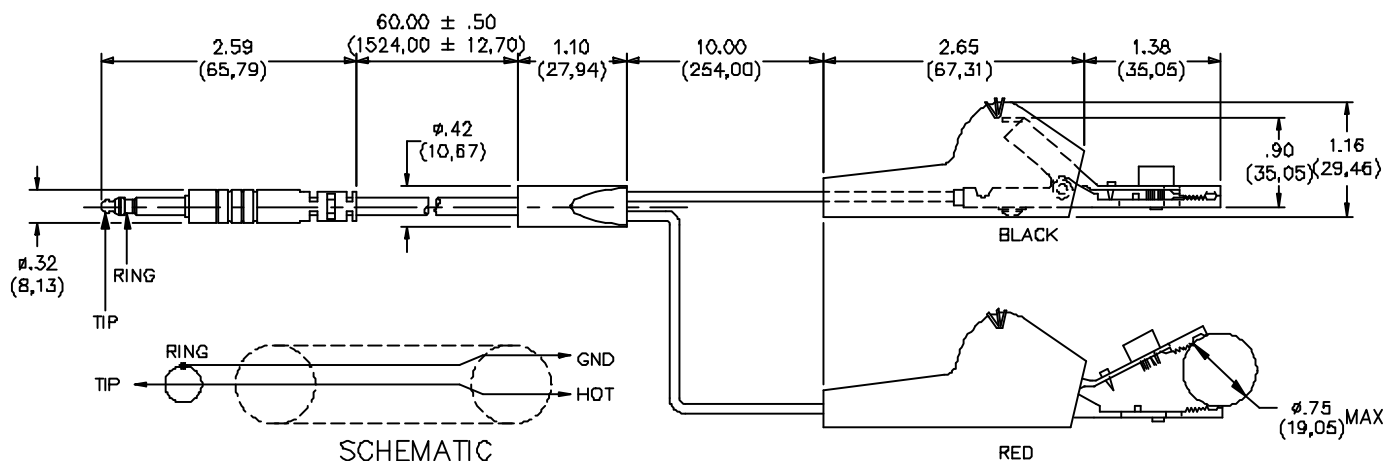
[Pomona Electronics](#)
[6484-60](#)

For any questions, you can email us directly:

sales@integrated-circuit.com

Pomona[®]

**Model 6484 Telecom
5 Way Alligator to
Bantam Plug**



FEATURES:

- Multi-purpose test clips allow five ways to connect to a device under test
 - U-shaped nose for blade shaped terminals
 - Notched jaw for gripping screw heads, bare wire or terminals
 - Serrated teeth for gripping threaded or wire wrapped terminals
 - Cluster of sharp needles for piercing small gauge wires (#22-28 AWG)
 - Large piercing needle for penetrating large gauge wires

MATERIALS:

Jaws: Non-rusting Nickel Copper Alloy.

Boot: Vinyl wire 20 AWG PVC

Cable: 2 conductor, 22 AWG, 7 x 30 tc, 4.6" outside diameter

Y Mold: PVC

Bantam: Miniature phone plug 3 conductor, sleeve no connection

RATINGS:

Operating Voltage: Hand-held 30 VAC/60 VDC

Hands free operation in a controlled voltage environment: 300 VRMS

Current: 5 Amperes

ORDERING INFORMATION: Model 6484-60

All dimensions are in inches. Tolerances (except noted): .xx = ±.02" (.51 mm), .xxx = ±.005" (.127 mm).

All specifications are to the latest revisions. Specifications are subject to change without notice.

Registered trademarks are the property of their respective companies. Made in USA

Pomona[®]

**Model 6484 Telecom
5 Way Alligator to
Bantam Plug**

Standard Length = 60" (152cm)

All dimensions are in inches. Tolerances (except noted): .xx = ±.02" (.51 mm), .xxx = ±.005" (.127 mm).

All specifications are to the latest revisions. Specifications are subject to change without notice.

Registered trademarks are the property of their respective companies. Made in USA