

## **Excellent Integrated System Limited**

Stocking Distributor

Click to view price, real time Inventory, Delivery & Lifecycle Information:

[Pomona Electronics](#)  
[6878](#)

For any questions, you can email us directly:

[sales@integrated-circuit.com](mailto:sales@integrated-circuit.com)

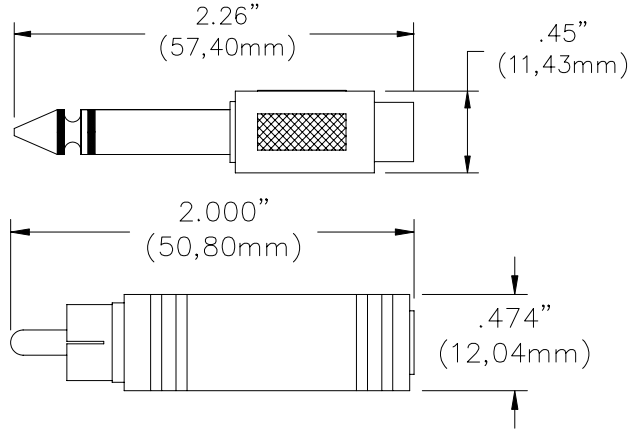
**Models 6878, 6879**  
**1/4" Plug (mono) / RCA Jack, 1/4" Jack (mono) / RCA Plug**



Model 6878 1/4" Plug (mono) / RCA Jack Adapter



Model 6879 1/4" Jack (mono) / RCA Plug Adapter



Use to convert between RCA to  
1/4" mono

**Features**

- Two pole mono-to-mono version.
- Easy-to-use black and silver design.

**Materials**

Contacts are nickel-plated brass.

**Ordering Information**

Model: 6878, 6879

Number of Contacts	2 pole (mono)
Dielectric strength	1000 V dc

**USA:** Sales: 800-490-2361 Technical Support: 800-241-2060 Fax: 888-403-3360

**Europe:** 31-(0) 40 2675 150 **International:** 425-446-5500  
 e-mail: [technicalsupport@pomonatest.com](mailto:technicalsupport@pomonatest.com)

**Where to Buy:** [www.pomonaelectronics.com](http://www.pomonaelectronics.com)

All dimensions are in inches. Tolerances (except noted): .xx = ±.02" (.51 mm), .xxx = ±.005" (.127 mm). All specifications are to the latest revisions. Specifications are subject to change without notice. Registered trademarks are the property of their respective companies.