



Distributor of NMB Technologies Corp. : Excellent Integrated System Limited

Datasheet of 2406KL-04W-B10-L00 - FAN AXIAL 60X15MM 12VDC WIRE

Contact us: sales@integrated-circuit.com Website: www.integrated-circuit.com

Excellent Integrated System Limited

Stocking Distributor

Click to view price, real time Inventory, Delivery & Lifecycle Information:

[NMB Technologies Corp.](#)
[2406KL-04W-B10-L00](#)

For any questions, you can email us directly:

sales@integrated-circuit.com



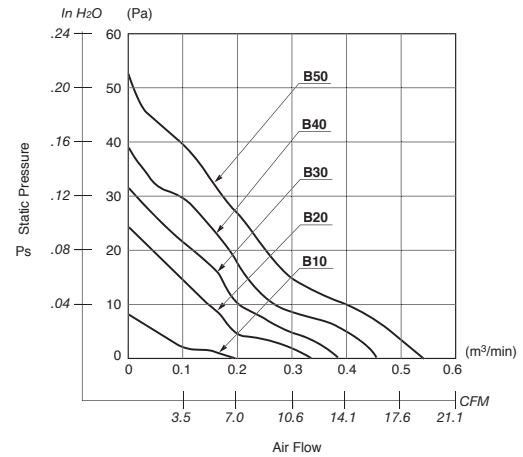
General Specifications

- Motor Protection:**
Auto Restart/Polarity Protection
- Insulation Resistance:** 10M Ω or over with a DC500V Megger
- Dielectric Withstand Voltage:** AC 700V 1s
- Allowable Ambient Temperature Range:**
 - 10°C ~ +60°C (Operating)
 - 40°C ~ +70°C (Operating)
 - (non-condensing environment)

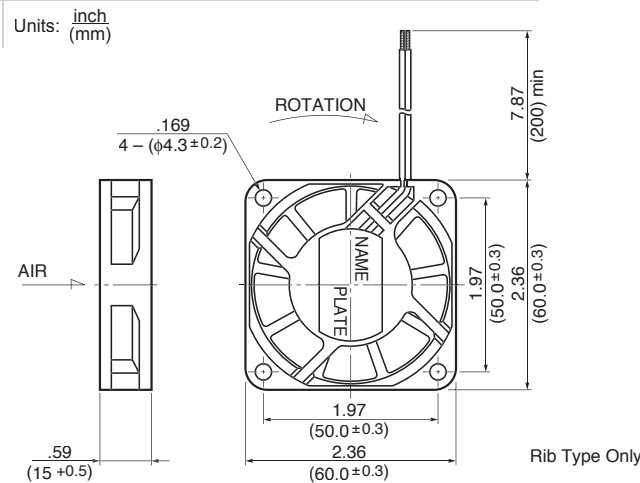
Expected Life

- Failure Rate: 10%**
- 25°C 70,000 Hours (L00)
- 25°C 60,000 Hours (T00)

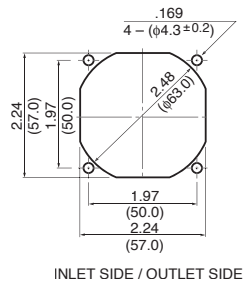
Characteristic Curves



Outline



Panel Cut-outs



Material

- Casing : Plastic (Black) 94V-0
- Impeller : Plastic (Black) 94V-0
- Bearing : Ball Bearing
- Lead Wire : UL1007, AWG26, +Red, -Black

Specifications

MODEL	Product No.	Rated Voltage	Operating Voltage	Current	Input Power	Speed	Max. Air Flow		Max. Static Pressure		Noise	Mass
		(V)	(V)	(A) ^{*1}	(W) ^{*1}	(min ⁻¹) ^{*1}	CFM ^{*1}	(m ³ /min) ^{*1}	in H ₂ O	(Pa) ^{*1}	(dB) ^{*1}	(g)
2406KL-04W-B10-	X00	12	7.0 ~ 13.8	0.04	0.48	1800	6.7	0.19	.03	8.5	19.0	45
2406KL-04W-B20-	X00	12	6.0 ~ 13.8	0.07	0.84	3100	11.6	0.33	.09	23.4	25.0	45
2406KL-04W-B30-	X00	12	6.0 ~ 13.8	0.09	1.08	3600	14.1	0.40	.13	31.3	28.0	45
2406KL-04W-B40-	X00	12	6.0 ~ 13.8	0.13	1.56	4100	15.9	0.45	.16	39.7	31.0	45
2406KL-04W-B50-	X00	12	6.0 ~ 13.8	0.16	1.92	4600	18.3	0.52	.20	51.2	34.0	45
2406KL-05W-B10-	X00	24	18.5 ~ 27.6	0.04	0.96	1800	6.7	0.19	.03	8.5	19.0	45
2406KL-05W-B20-	X00	24	12.0 ~ 27.6	0.06	1.44	3100	11.6	0.33	.09	23.4	25.0	45
2406KL-05W-B30-	X00	24	12.0 ~ 27.6	0.06	1.44	3600	14.1	0.40	.13	31.3	28.0	45
2406KL-05W-B40-	X00	24	10.0 ~ 27.6	0.07	1.68	4100	15.9	0.45	.16	39.7	31.0	45
2406KL-05W-B50-	X00	24	10.0 ~ 27.6	0.10	2.40	4600	18.3	0.52	.20	51.2	34.0	45

Rotation: Clockwise Airflow Outlet: Air Out Over Struts
 For information on 2406KL-04W-B80 contact the sales office.

*1: Average Values in Free Air