

Excellent Integrated System Limited

Stocking Distributor

Click to view price, real time Inventory, Delivery & Lifecycle Information:

[NMB Technologies Corp.](#)
[BG0903-B044-000-00](#)

For any questions, you can email us directly:

sales@integrated-circuit.com



General Specifications

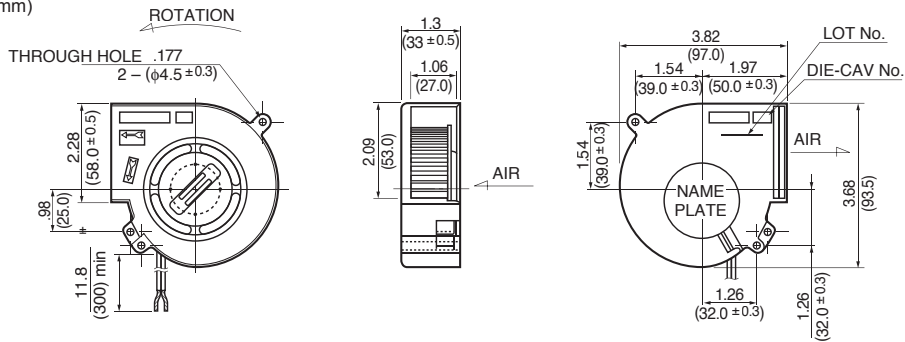
Allowable Ambient Temperature Range:
 -10°C ~ +60°C (Operating)
 -40°C ~ +70°C (Storage)
 (non-condensing environment)

Expected Life

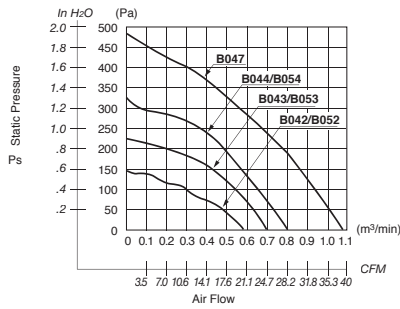
Failure Rate: 10%
 25°C 100,000 Hours (00)

Outline

Units: $\frac{\text{inch}}{\text{mm}}$



Characteristic Curves



Material

- Casing : Plastic (Black) 94V-0
- Impeller : Plastic (Black) 94V-0
- Bearing : Ball Bearing
- Lead Wire: UL1007, AWG26, +Red, -Black

Specifications

MODEL	Product No.	Rated Voltage	Operating Voltage	Current	Input Power	Speed	Max. Air Flow		Max. Static Pressure		Noise	Mass
		(V)	(V)	(A) ¹	(W) ¹	(min ⁻¹) ¹	CFM ¹	(m ³ /min) ¹	in H ₂ O	(Pa) ¹	(dB) ¹	(g)
BG0903-B042-000-	00	12	8 ~ 13.8	0.40	4.80	2700	20.5	0.58	.61	152	47.5	210
BG0903-B043-000-	00	12	8 ~ 13.8	0.64	7.68	3200	24.7	0.70	.90	225	51.5	210
BG0903-B044-000-	00	12	8 ~ 12.8	1.03	12.40	3700	28.6	0.81	1.4	342	54.5	210
BG0903-B052-000-	00	24	10 ~ 27.6	0.21	5.04	2700	20.5	0.58	.61	152	47.5	210
BG0903-B053-000-	00	24	10 ~ 27.6	0.33	7.92	3200	24.7	0.70	.90	225	51.5	210
BG0903-B054-000-	00	24	10 ~ 25.0	0.49	11.80	3700	28.6	0.81	1.4	342	54.5	210
HIGH SPEED												
BG0903-B047-000-	00	12	10.8 ~ 12.6	1.6	19.20	5200	38.1	1.08	1.9	482	-	210