



**Distributor of Pomona Electronics: Excellent Integrated System Limited**

Datasheet of 2400 - BOX ALUM UNPAINTED 2.25"LX1.13"W

Contact us: [sales@integrated-circuit.com](mailto:sales@integrated-circuit.com) Website: [www.integrated-circuit.com](http://www.integrated-circuit.com)

---

## **Excellent Integrated System Limited**

Stocking Distributor

Click to view price, real time Inventory, Delivery & Lifecycle Information:

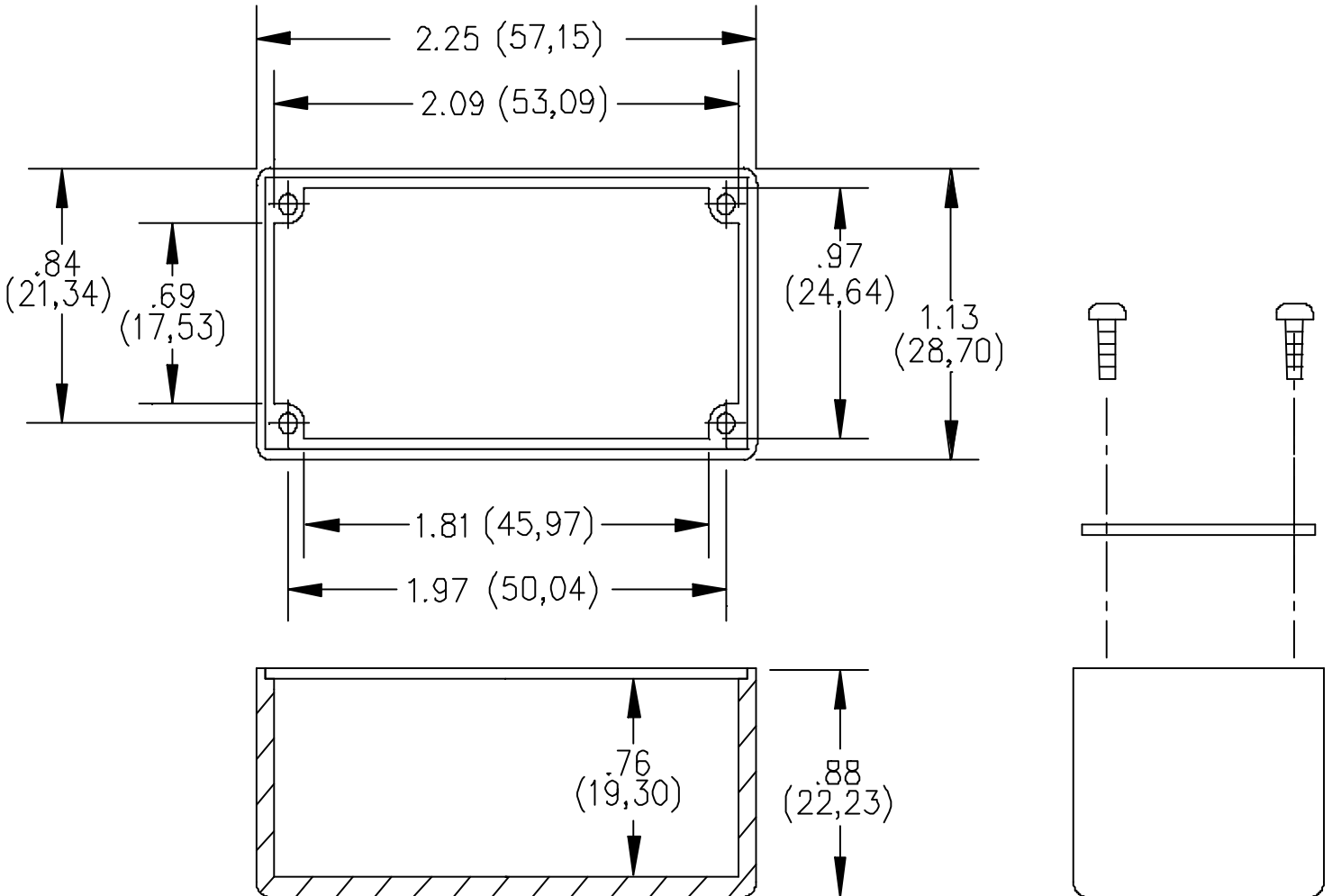
[Pomona Electronics](#)  
[2400](#)

For any questions, you can email us directly:

[sales@integrated-circuit.com](mailto:sales@integrated-circuit.com)

# Pomona®

## Model 2400 Size A Aluminum Box With Cover



### MATERIALS:

Screws: 4 ea. #2-32 X 1/4" Pan Head self tapping, Steel.

Cover: .040 Thick aluminum 1100-H14, Clear anodized. Finish: Clear

Shielded Housing: Die cast aluminum alloy A380 or A384. Finish: None

### ORDERING INFORMATION: Model 2400

All dimensions are in inches. Tolerances (except noted): .xx = ±.02" (.51 mm), .xxx = ±.005" (.127 mm).

All specifications are to the latest revisions. Specifications are subject to change without notice.

Registered trademarks are the property of their respective companies. Made in USA