

## Excellent Integrated System Limited

Stocking Distributor

Click to view price, real time Inventory, Delivery & Lifecycle Information:

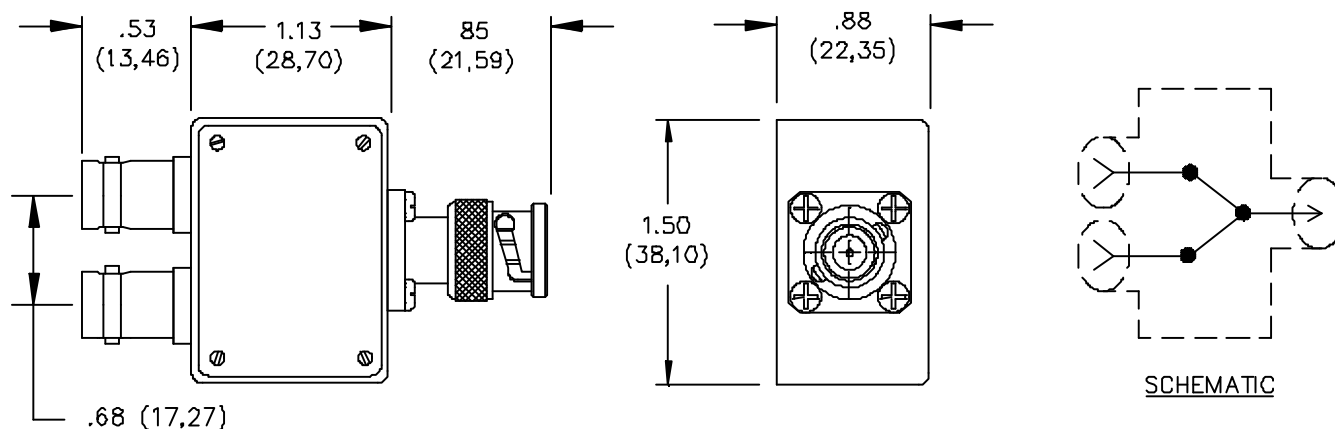
[Pomona Electronics](#)  
[4057](#)

For any questions, you can email us directly:

[sales@integrated-circuit.com](mailto:sales@integrated-circuit.com)

# Pomona®

**Model 4057**  
**BNC 'Y' Adapter, BNC (Females) To**  
**BNC (Male) In Shielded Box**



**MATERIALS:**

Connector: BNC (F) & BNC (M)

Body: Brass, Tarnish Resistant Plating, Center Contact: Female – Gold Plated Beryllium Copper, Male - Gold Plated Brass

Shielded Housing: Die cast aluminum Alloy A380 or A384.

Finish: Blue baked enamel per Federal Standard 595, 25109 over Phosphoric Etch per MIL-C-15328.

Marking: "Pomona Electronics Calif."

Screws: 4 each 4-40 x 4.76 (3/16") per MS35206-212 with clear irridite dip.

**RATINGS:**

Operating Voltage: Inner Conductor/Shield: 500VRMS Max.

Nominal Impedance: 50 Ohms

**ORDERING INFORMATION: Model 4057**

All dimensions are in inches. Tolerances (except noted): .xx = ±.02" (.51 mm), .xxx = ± .005" (.127 mm).

All specifications are to the latest revisions. Specifications are subject to change without notice.

Registered trademarks are the property of their respective companies. Made in USA