

Excellent Integrated System Limited

Stocking Distributor

Click to view price, real time Inventory, Delivery & Lifecycle Information:

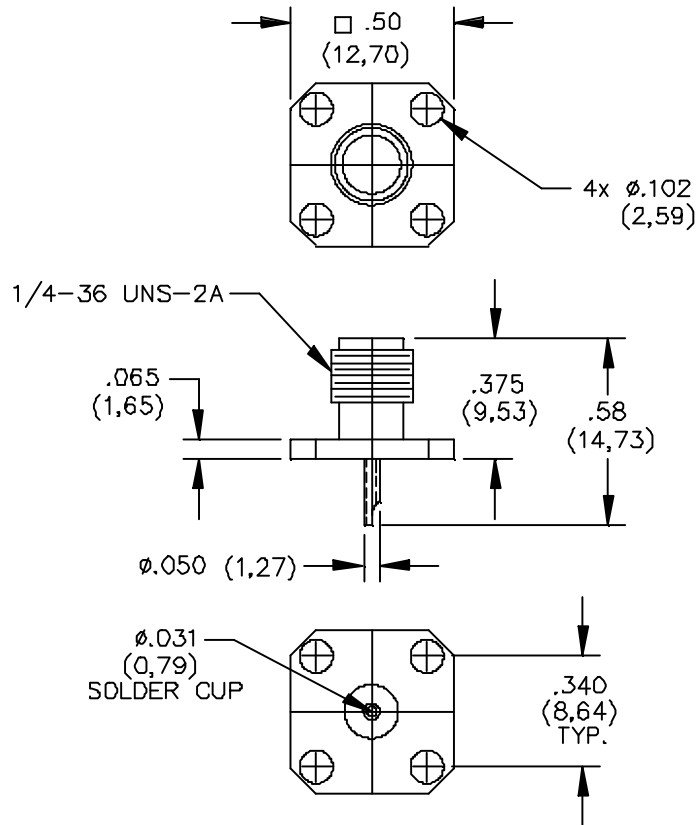
[Pomona Electronics](#)
[4850](#)

For any questions, you can email us directly:

sales@integrated-circuit.com

Pomona®

Model 4850 SMA Female Panel Receptacle



MATERIALS:

Body and Fittings – Stainless Steel

Center Contact – Beryllium Copper

Dielectric – Teflon

Finish: Body and Center Contact – Gold Plated

RATINGS:

Operating Temperature: -65°C (-85°F) to +165°C (+329°F)

Operating Voltage: 335 VRMS

Nominal Impedance: 50 Ohms

Frequency Range; DC to 18 GHz

Connectors meet the interface requirement of MIL-C-39012

ORDERING INFORMATION: Model 4850

All dimensions are in inches. Tolerances (except noted): .xx = ±.02" (.51 mm), .xxx = ±.005" (.127 mm).

All specifications are to the latest revisions. Specifications are subject to change without notice.

Registered trademarks are the property of their respective companies.

Made in USA