

Excellent Integrated System Limited

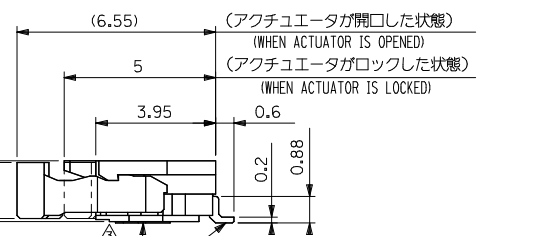
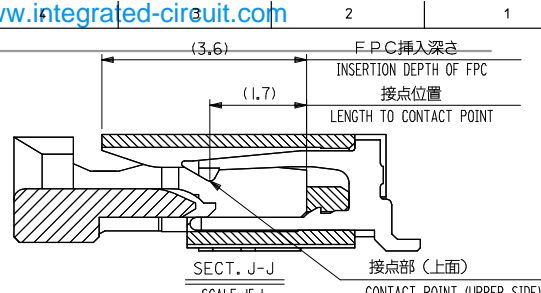
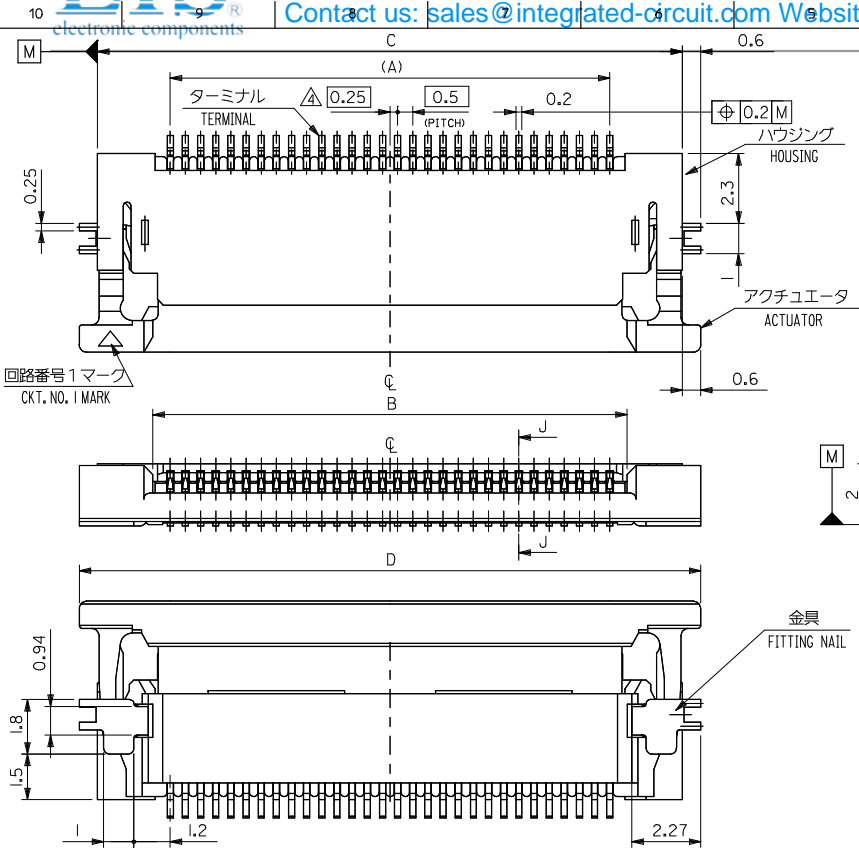
Stocking Distributor

Click to view price, real time Inventory, Delivery & Lifecycle Information:

[Molex Connector Corporation](#)
[0541044096](#)

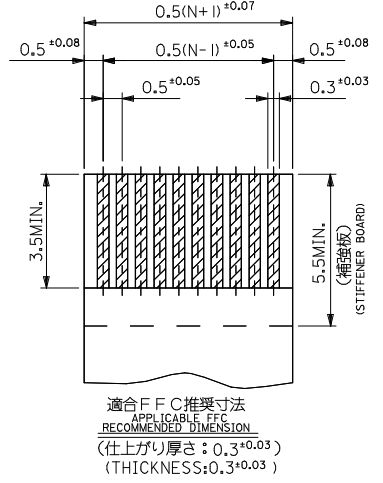
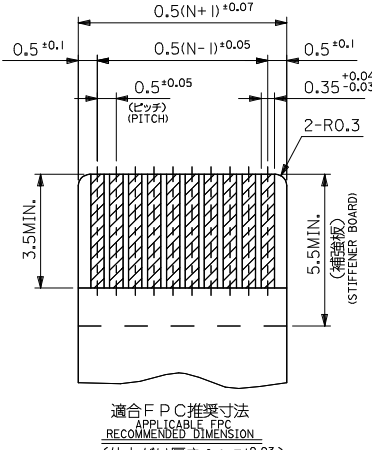
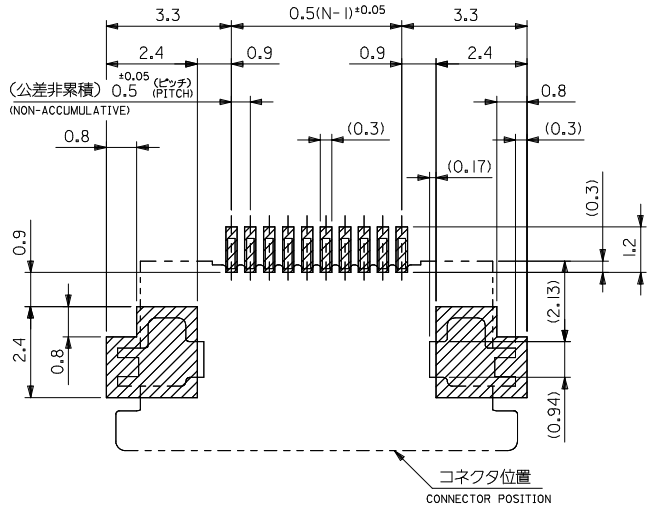
For any questions, you can email us directly:

sales@integrated-circuit.com



30.5	29.3	25.65	24.5	54104-5096	54104 - 5039	50
28.5	27.3	23.65	22.5	54104-4696	54104 - 4639	46
28.0	26.8	23.15	22.0	54104-4596	54104 - 4539	45
27.0	25.8	22.15	21.0	54104-4396	54104 - 4339	43
25.5	24.3	20.65	19.5	54104-4096	54104 - 4039	40
24.5	23.3	19.65	18.5	54104-3896	54104 - 3839	38
23.5	22.3	18.65	17.5	54104-3696	54104 - 3639	36
23.0	21.8	18.15	17.0	54104-3596	54104 - 3539	35
22.5	21.3	17.65	16.5	54104-3496	54104 - 3439	34
22.0	20.8	17.15	16.0	54104-3396	54104 - 3339	33
21.5	20.3	16.65	15.5	54104-3296	54104 - 3239	32
20.5	19.3	15.65	14.5	54104-3096	54104 - 3039	30

REVISED EC NO: J2008-4308 DRAWN BY: 2008/06/27 CHYKO:THAYAMA 2008/06/30 APPRANK ITA 2008/06/30 DESCRIPTION A	GENERAL TOLERANCES (UNLESS SPECIFIED)		DIMENSION STYLE MM ONLY		SCALE ---	DESIGN UNITS METRIC	THIRD ANGLE PROJECTION
	10 UNDER	± 0.2	DRAWN BY Y. SAKIYAMA	DATE '04/01/22	TITLE 0.5 FPC CONN ZIF HSG ASSY FOR SMT RA UPR CONT -LEAD FREE- MOLEX INCORPORATED MATERIAL NO. SEE TABLE DOCUMENT NO. SD-54104-071 SHEET NO. 1 OF 2		
	10 OVER 30 UNDER	± 0.25	CHECKED BY M. SASAO	DATE '04/01/22			
	30 OVER	± 0.3	APPROVED BY M. SASAO	DATE '04/01/22			
ANGULAR ±3 °		DRAFT WHERE APPLICABLE MUST REMAIN WITHIN DIMENSIONS		SIZE A3	THIS DRAWING CONTAINS INFORMATION THAT IS PROPRIETARY TO MOLEX INCORPORATED AND SHOULD NOT BE USED WITHOUT WRITTEN PERMISSION		



参考基板レイアウト
RECOMMENDED FPC BOARD
PATTERN DIMENSION (REF.)
(マウント面)
(MOUNTING SIDE)

注記 NOTES

I. 使用材料 MATERIAL

ハウジング : 46ナイロン, UL94V-0
HOUSING : 46NYLON

アクチュエータ : PPS, UL94V-0
ACTUATOR

ターミナル : リン青銅, ニッケル下地 鍍ヒスマスメッキ (t=0.2)
TERMINAL : PHOS-BRONZE, TIN-BISMUTH OVER NICKEL PLATING (t=0.2)

金具 : リン青銅, ニッケル下地 鍍メッキ (t=0.2)
FITTING NAIL : PHOS-BRONZE, TIN OVER NICKEL PLATING (t=0.2)

2. インボスタープ梱包時は、アクチュエータがロックした状態とする。
IN THE PACKAGE, ACTUATOR OF PART NO. 54104-**-39 SHOULD BE LOCKED.
- △ ソルダテール半田付面のズレ量、及び金具半田付面のズレ量は、基準面 H に対し上方向 0.1 MAX, 下方向 0.15 MAX. とし、相互のバランす量は、0.1 MAX. とする。
MISALIGNMENT OF SOLDER TAILS AND FITTING NAILS FROM UPPER DIRECTION: 0.1 MAX., LOWER DIRECTION: 0.15 MAX., OFFSET BETWEEN UPPER AND LOWER 0.1 MAX.
- △ パターンはくり止め用金具
FITTING NAIL FOR PREVENTION OF PEELING OF P.C.B. PATTERN.
6. 本製品は 54104-**-37 の鉛フリー品である。
THIS PRODUCT IS LEAD FREE OF 54104-**-37.

FPC/FFCについて

打抜き方向は導体側から補強板側を推奨いたします。
導体部については数値35マイクロメートルまたは50マイクロメートル厚、3~9マイクロメートルまたは半田メッキ (電気メッキ) RECOMMENDED PUNCHER DIRECTION: FROM CONDUCTOR SIDE TO STIFFENER BOARD SIDE. RECOMMENDED CONDUCTOR SPEC.: THICKNESS OF SOFT COPPER FOIL: 35 micrometer or 50 micrometer TIN OR SOLDER PLATING: 3~9 micrometer (ELECTRICAL PLATING)

FPCについて

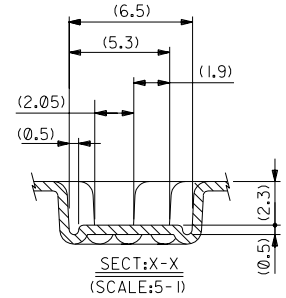
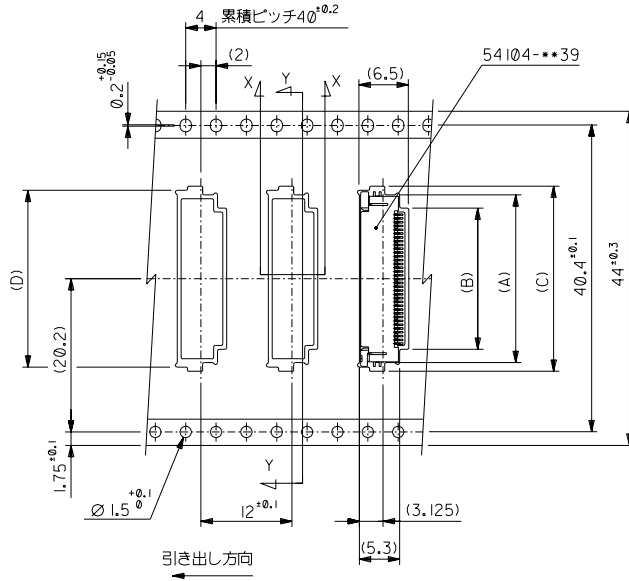
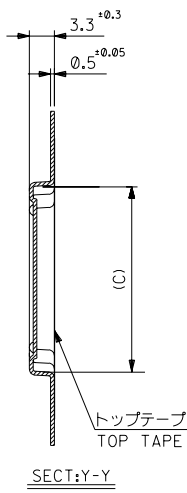
補強フィルム材質はポリイミドを推奨致します。
接着剤は熱硬化接着剤を推奨致します。
RECOMMENDED MATERIAL: STIFFENER FILM : POLYIMIDE BONDING AGENT : THERMOSETTING BONDING AGENT

REVISED EC NO.: J2008-4308 DRAWN: HAREI CHYOKI HARUYAMA APPROX: IKA	DESCRIPTION 2008/06/27 2008/06/30 2008/06/30	GENERAL TOLERANCES (UNLESS SPECIFIED)			DIMENSION STYLE MM ONLY			54104-**-39	MODEL NO.	
		10 UNDER	± 0.2			DRAWN BY Y. SAKIYAMA	DATE '04/01/22	SCALE ---	DESIGN UNITS METRIC	THIRD ANGLE PROJECTION
		10 OVER 30 UNDER	± 0.25			CHECKED BY M. SASAO	DATE '04/01/22	TITLE 0.5 FPC CONN ZIF HSG ASSY FOR SMT RA UPR CONT -LEAD FREE-		
		30 OVER	± 0.3			APPROVED BY M. SASAO	DATE '04/01/22			
ANGULAR	± 3 °			MATERIAL NO. SEE SHEET 1		DOCUMENT NO. SD-54104-071		SHEET NO. 2 OF 2		
A	REV	DRAFT WHERE APPLICABLE MUST REMAIN WITHIN DIMENSIONS				SIZE A3	THIS DRAWING CONTAINS INFORMATION THAT IS PROPRIETARY TO MOLEX INCORPORATED AND SHOULD NOT BE USED WITHOUT WRITTEN PERMISSION			

DWG. NO. SD-54104-072

F
E
D
C
B

DO NOT SCALE DRAWING



EC NO. DRAWN: CHK: APPR:		EC NO. DRAWN: CHK: APPR:		EC NO. DRAWN: CHK: APPR:		REVISED '04/04/21 EC NO. J2004-3918 DRAWN: Y. WADA CHK: M. SASAO APPR: M. SASAO		RELEASED '04/01/22 EC NO. J2004-2032 DRAWN: Y. SAKIYAMA CHK: M. SASAO APPR: M. SASAO		MATERIAL 材料 SHEET 1 OF 2 参照 REFER TO SHEET 1 OF 2		GENERAL TOLERANCES: (UNLESS SPECIFIED) 一般公差		SCALE —		MODEL NO. 54104-***96		DIMENSIONS: THIRD ANGLE PROJECTION		SHT REV	
EC NO. DRAWN: CHK: APPR:		EC NO. DRAWN: CHK: APPR:		EC NO. DRAWN: CHK: APPR:		A		0		FINISH 仕上り		10 UNDER 未満		+0.2		DRAWN BY & DATE Y. SAKIYAMA '04/01/22		INCH		REVISE ON CAD ONLY	
EC NO. DRAWN: CHK: APPR:		EC NO. DRAWN: CHK: APPR:		EC NO. DRAWN: CHK: APPR:		A		0		WIRE RANGE 適用電線範囲		10 OVER 以上		+0.25		CHECKED BY & DATE M. SASAO '04/01/22		MM		REVISE ON CAD ONLY	
EC NO. DRAWN: CHK: APPR:		EC NO. DRAWN: CHK: APPR:		EC NO. DRAWN: CHK: APPR:		A		0		INS. RANGE 被覆外径		30 OVER 以上		+0.3		APPROVED BY & DATE M. SASAO '04/01/22		MM ONLY		REVISE ON CAD ONLY	
EC NO. DRAWN: CHK: APPR:		EC NO. DRAWN: CHK: APPR:		EC NO. DRAWN: CHK: APPR:		A		0		ANGLE 角度		ANGLE 角度		±3°		CAD FILENAME SD-54104-072.S02		MOLEX INCORPORATED		REVISE ON CAD ONLY	
EC NO. DRAWN: CHK: APPR:		EC NO. DRAWN: CHK: APPR:		EC NO. DRAWN: CHK: APPR:		A		0		THIS DRAWING CONTAINS INFORMATION THAT IS PROPRIETARY TO MOLEX INCORPORATED AND SHOULD NOT BE USED WITHOUT WRITTEN PERMISSION.		ANGLE 角度		±3°		MATERIAL NO. SEE CHART		MOLEX INCORPORATED		REVISE ON CAD ONLY	
EC NO. DRAWN: CHK: APPR:		EC NO. DRAWN: CHK: APPR:		EC NO. DRAWN: CHK: APPR:		A		0		THIS DRAWING CONTAINS INFORMATION THAT IS PROPRIETARY TO MOLEX INCORPORATED AND SHOULD NOT BE USED WITHOUT WRITTEN PERMISSION.		ANGLE 角度		±3°		DRAWING NO. SD-54104-072		MOLEX INCORPORATED		REVISE ON CAD ONLY	
EC NO. DRAWN: CHK: APPR:		EC NO. DRAWN: CHK: APPR:		EC NO. DRAWN: CHK: APPR:		A		0		THIS DRAWING CONTAINS INFORMATION THAT IS PROPRIETARY TO MOLEX INCORPORATED AND SHOULD NOT BE USED WITHOUT WRITTEN PERMISSION.		ANGLE 角度		±3°		SHEET NO. 2 OF 2		MOLEX INCORPORATED		REVISE ON CAD ONLY	
EC NO. DRAWN: CHK: APPR:		EC NO. DRAWN: CHK: APPR:		EC NO. DRAWN: CHK: APPR:		A		0		THIS DRAWING CONTAINS INFORMATION THAT IS PROPRIETARY TO MOLEX INCORPORATED AND SHOULD NOT BE USED WITHOUT WRITTEN PERMISSION.		ANGLE 角度		±3°		SIZE B		MOLEX INCORPORATED		REVISE ON CAD ONLY	
EC NO. DRAWN: CHK: APPR:		EC NO. DRAWN: CHK: APPR:		EC NO. DRAWN: CHK: APPR:		A		0		THIS DRAWING CONTAINS INFORMATION THAT IS PROPRIETARY TO MOLEX INCORPORATED AND SHOULD NOT BE USED WITHOUT WRITTEN PERMISSION.		ANGLE 角度		±3°		EN-02J(097) MXJ-54		MOLEX INCORPORATED		REVISE ON CAD ONLY	