

Excellent Integrated System Limited

Stocking Distributor

Click to view price, real time Inventory, Delivery & Lifecycle Information:

[Cynergy3](#)
[SSF29X100](#)

For any questions, you can email us directly:

sales@integrated-circuit.com



SSF29 Series

High pressure side mount switch



- Operates in pressure up to 40 bar
- Internal side mount vertical switch
- Stainless steel 316L
- User configurable N/O (make on rise) or N/C (make on fall) switch action
- Operating temperature to 120°C

Technical Specification

Mounting style	Internal	Cable length - standard	100cm
Mounting thread	1/8" BSP	Cable size	17/0.10 - AWG22
Float & Stem material	316grade SS	Cable conductor material	Tinned copper
Maximum Temperature	120°C	Cable sheath material	XLPE
Maximum pressure	40 bar	Cable temperature rating	125°C
Float SG	0.6	Sealing gasket	Not supplied
Minimum fluid SG	0.7	Tightening torque for fixing nut	2.0kg/cm

Electrical Specification

Contact Form		N/O (N/C)
Switching Power Max	VA	50
Switching Voltage AC Max	V	300
Switching Voltage DC Max	V	300
Switching Current Max	A	0.5

All ratings are for resistive load only.

The SSF29 type is a side mount vertical switch designed to give reliable switching at higher pressures, up to 40 bar. The switch is mounted in the side of the tank, from the inside, so requires access to the inside of the tank.

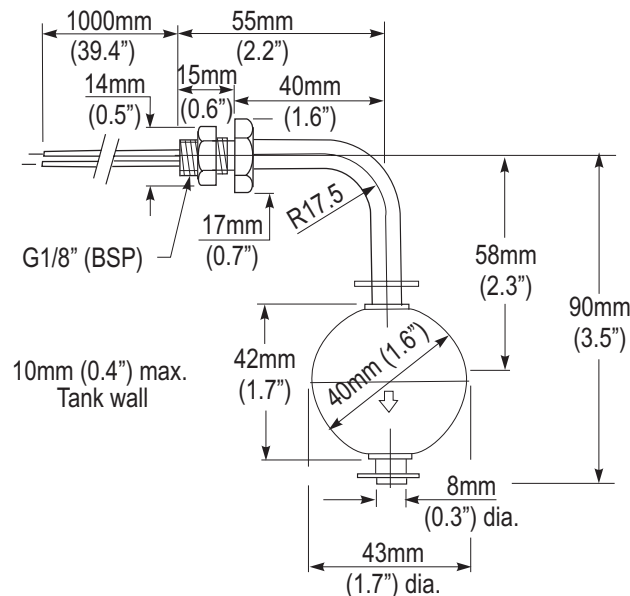
They are manufactured in 316L stainless steel and will work in liquids of SG 0.7 minimum.

The switch action may be reversed by removing the float, inverting and then refitting it to the stem.

Standard Parts	Material	Max Power	Max Pressure	Leadouts
SSF29X100	SS 316L	50VA	40 bar	100cm XLPE 17/0.1

Custom versions can be made for particular applications. Please contact Cynergy3 with your requirements.

Mechanical Dimensions



Cynergy3 Components Ltd.
 7 Cobham Road
 Ferndown Industrial Estate
 Wimborne, Dorset BH21 7PE
 Telephone +44 (0) 1202 897969

Email: sales@cynergy3.com