



**Distributor of Molex Connector Corporation: Excellent Integrated System Limited**  
Datasheet of 0670689000 - Connector Receptacle USB TypeB 4 Position Through Hole, Right  
Angle, Horizontal

Contact us: [sales@integrated-circuit.com](mailto:sales@integrated-circuit.com) Website: [www.integrated-circuit.com](http://www.integrated-circuit.com)

---

## **Excellent Integrated System Limited**

Stocking Distributor

Click to view price, real time Inventory, Delivery & Lifecycle Information:

[Molex Connector Corporation](#)  
[0670689000](#)

For any questions, you can email us directly:  
[sales@integrated-circuit.com](mailto:sales@integrated-circuit.com)

Contact us: [sales@integrated-circuit.com](mailto:sales@integrated-circuit.com) Website: [www.integrated-circuit.com](http://www.integrated-circuit.com)

NOTES :

1. MATERIAL :  
HOUSING : (a) HIGH TEMP. NYLON ,GLASS FIBER FILLED,UL94V-0, COLOR: BLACK,  
(b) POLYESTER , GLASS FIBER FILLED,UL94V-0, COLOR: WHITE,  
TERMINAL : PHOSPHOR BRONZE  
METAL SHELL : COPPER ALLOY

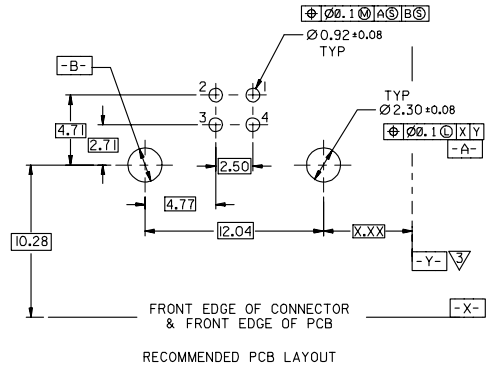
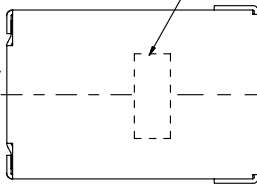
2. PLATING :

TERMINAL :  
CONTACT AREA : (a) GOLD FLASH.  
(b) GLD (Au), THICKNESS = 30 MICROINCH MINIMUM .  
/0.76 MICROMETER MINIMUM.  
SOLDER TAIL :  
PURE TIN(Sn) THICKNESS= 75 MICROINCH MINIMUM .  
/1.9 MICROMETER MINIMUM.  
UNDER PLATE : NICKEL (Ni), THICKNESS= 50 MICROINCH MINIMUM .  
/1.27 MICROMETER MINIMUM.  
METAL SHELL :  
PURE TIN(Sn) , THICKNESS= 50 MICROINCH MINIMUM .  
/1.27 MICROMETER MINIMUM.  
UNDER PLATE : NICKEL (Ni) , THICKNESS= 50 MICROINCH MINIMUM .  
/1.27 MICROMETER MINIMUM.

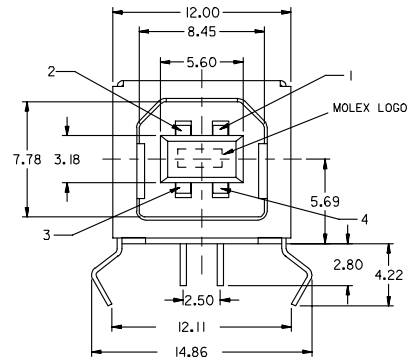
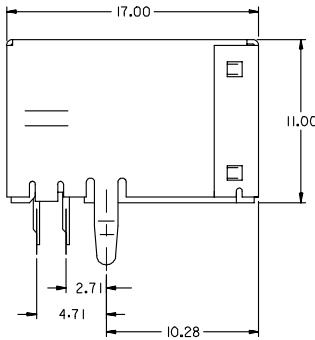
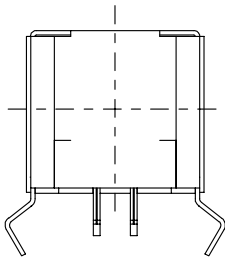
▽ DATUM AND BASIC DIMENSIONS ESTABLISHED BY CUSTOMER  
RECOMMENDED PCB THICKNESS : 1.60±0.05

4 PRODUCT SPECIFICATION : REFER TO PS-67998-0000

MOLEX ID OF MFG PLANT CODE



RECOMMENDED PCB LAYOUT



PART NUMBER LEGEND:

67068- \* \* 0 \*  
8 : BLACK HOUSING  
9 : WHITE HOUSING  
0 : TRAY PACKAGING  
1 : TUBE PACKAGING  
0 : GOLD FLASH  
1 : 0.76 MICROMETER/30 MICROINCH GOLD  
KINK TYPE BOARD LOCK

NEW RELEASE EC NO: SH2005-0142 DRWN: DAVID HU 2004/11/05 CHKD: HARVEY 2004/11/05 APPR: YIYAP 2004/11/05	DESCRIPTION	QUALITY SYMBOLS ▽=0 ▽=0	GENERAL TOLERANCES (UNLESS SPECIFIED)		DIMENSION STYLE MM ONLY		SCALE 4:1	DESIGN UNITS METRIC	THIRD ANGLE PROJECTION
			mm	INCH	DRAWN BY DAVID HU	DATE 2004/11/05	TITLE USB B TYPE CONNECTOR KINK TYPE BOARD LOCK (LEAD-FREE)		
A	REV	DESCRIPTION	4 PLACES	± ---	± ---	CHECKED BY HARVEY	DATE 2004/11/05	MATERIAL NO. SEE NOTES	
			3 PLACES	± ---	± ---	APPROVED BY	DATE	DOCUMENT NO. SD-67068-003	
DRAFT WHERE APPLICABLE MUST REMAIN WITHIN DIMENSIONS			ANGULAR ± 3 °		MATERIAL NO. SEE NOTES		DOCUMENT NO. SD-67068-003		SHEET NO. 1 OF 4
SIZE A3 THIS DRAWING CONTAINS INFORMATION THAT IS PROPRIETARY TO MOLEX INCORPORATED AND SHOULD NOT BE USED WITHOUT WRITTEN PERMISSION									



Contact us: [sales@integratedcircuit.com](mailto:sales@integratedcircuit.com) Website: [www.integrated-circuit.com](http://www.integrated-circuit.com)

NOTES :  
1. MATERIAL :  
HOUSING : (a) HIGH TEMP. NYLON, GLASS FIBER FILLED, UL94V-0, COLOR: BLACK,

TERMINAL : PHOSPHOR BRONZE  
METAL SHELL : COPPER ALLOY

2. PLATING :

TERMINAL :  
CONTACT AREA : (a) GOLD FLASH.  
(b) GLD (Au), THICKNESS = 30 MICROINCH MINIMUM.  
/0.76 MICROMETER MINIMUM.

SOLDER TAIL :  
PURE TIN(Sn) THICKNESS= 75 MICROINCH MINIMUM .  
/1.9 MICROMETER MINIMUM.

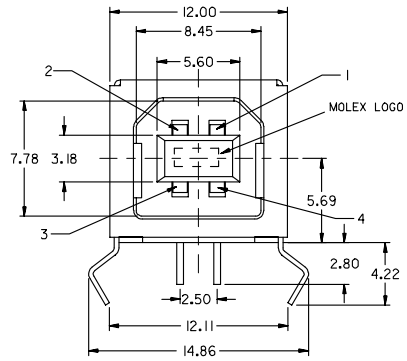
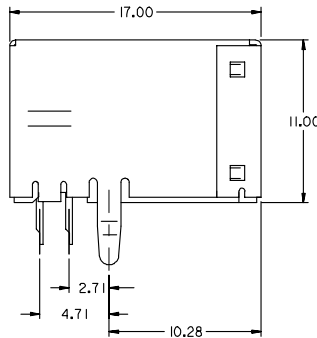
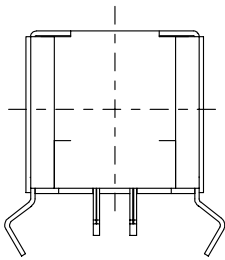
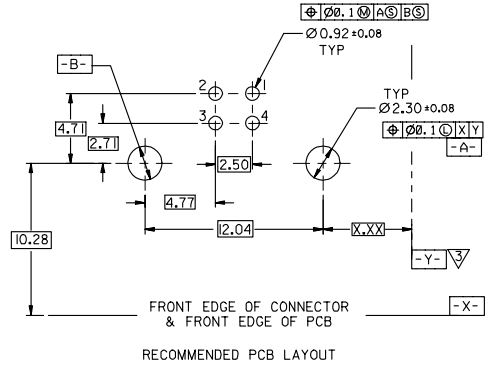
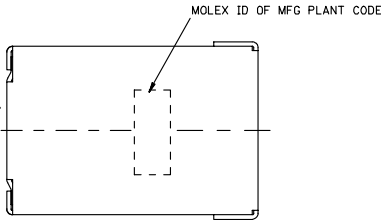
UNDER PLATE : NICKEL (Ni), THICKNESS= 50 MICROINCH MINIMUM.  
/1.27 MICROMETER MINIMUM.

METAL SHELL :  
PURE TIN(SN), THICKNESS= 50 MICROINCH MINIMUM.  
/1.27 MICROMETER MINIMUM.

UNDER PLATE : NICKEL (Ni), THICKNESS= 50 MICROINCH MINIMUM.  
/1.27 MICROMETER MINIMUM.

▽ DATUM AND BASIC DIMENSIONS ESTABLISHED BY CUSTOMER  
RECOMMENDED PCB THICKNESS : L60±0.05

4 PRODUCT SPECIFICATION : REFER TO PS-67998-0000



PART NUMBER LEGEND:

67068- 7041

				MATERIAL : SEE NOTES		MOLEX TAIWAN LTD. SHEET 3 OF 4
				FINISH : SEE NOTES		
				WIRE RANGE :		GENERAL TOLERANCES ANGLE : ± 3° DIM : ± .25/.010 ENG. NO.: SD-67068-003
				INS. RANGE :		
A	NEW RELEASE FOR LEAD-FREE	DAVID HU	2004/11/5	DRAWN BY 2004/11/5 CHK'D BY DAVID HU		REV A
LTR	REVISION RECORD	ECN	DR	DATE	APPR'D BY	TITLE : HIGH TEMP USB B TYPE CONNECTOR KIN TYPE BOARD LOCK (LEAD-FREE)
				REVISE ONLY ON CAD SYSTEM		SCALE 4 : 1

THIS DRAWING CONTAINS INFORMATION THAT IS PROPRIETARY TO MOLEX (FEM) AND SHOULD NOT BE USED WITHOUT WRITTEN PERMISSION

MXT , S<sub>a</sub> - 13

ENG. NO.

EDP NO.

SIMILAR ITEM

CAD FILE :

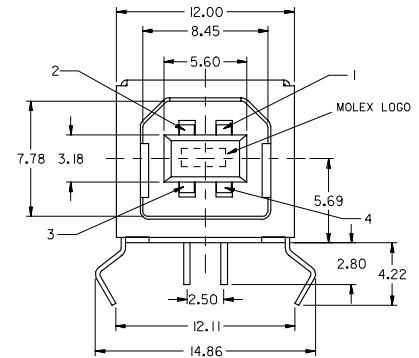
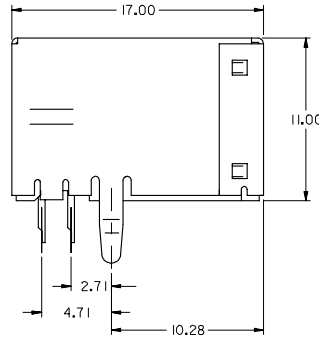
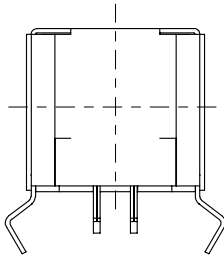
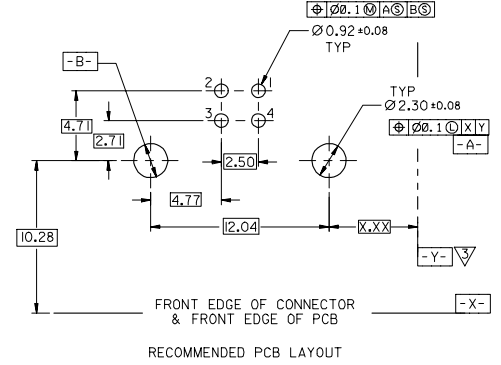
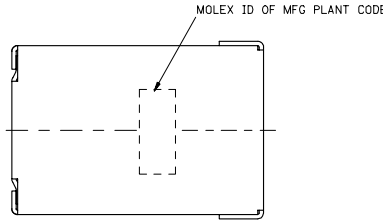
DO NOT SCALE DRAWING



Contact us: [sales@integrated-circuit.com](mailto:sales@integrated-circuit.com) Website: [www.integrated-circuit.com](http://www.integrated-circuit.com)

NOTES:  
 1.MATERIAL:  
 HOUSING:  
 (a)HIGH TEMP,NYLON,GLASS FIBRE FILLED,UJ94V-0,COLOR: 88BLACK  
 (b)POLYESTER(PBT),30% GLASS FIBER FILLED,UJ94V-0,COLOR: 9#WHITE  
 TERMINAL: PHOSPHOR BRONZE  
 METAL SHELL: COPPER ALLOY  
 2.PLATING:  
 TERMINAL:  
 (c)GOLD FLASH ON CONTACT AREA,75 MICRONCH MINIMUM PURE TINISn ON SOLDER TAIL,UNDER 50 MICRONCH MINIMUM NICKELINi PLATE.  
 (d)30 MICRONCH MINIMUM GOLD(Au) ON CONTACT AREA,75 MICRONCH MINIMUM PURE TINISn ON SOLDER TAIL,UNDER 50 MICRONCH MINIMUM NICKELINi PLATE.  
 (e)GOLD FLASH ON CONTACT AREA,75 MICRONCH MINIMUM MATTE TINISn ON SOLDER TAIL,UNDER 50 MICRONCH MINIMUM NICKELINi PLATE.  
 (f)30 MICRONCH MINIMUM GOLD(Au) ON CONTACT AREA,75 MICRONCH MINIMUM MATTE TINISn ON SOLDER TAIL,UNDER 50 MICRONCH MINIMUM NICKELINi PLATE.  
 METAL SHELL:  
 (g)50 MICRONCH MINIMUM PURE TINISn,UNDER 50 MICRONCH MINIMUM NICKELINi PLATE.  
 (h)50 MICRONCH MINIMUM MATTE TINISn,UNDER 50 MICRONCH MINIMUM NICKELINi PLATE.

3. DATUM AND BASIC DIMENSIONS ESTABLISHED BY CUSTOMER.  
 RECOMMENDED PCB THICKNESS : 1.60±0.05  
 4.PRODUCT SPECIFICATION : REFER TO PS-67998-0000



P/N	HOUSING COLOR	PLATING
67068-8000	BLACK	GOLD FLASH SEE NOTES[2-(c),2-(g)]
67068-8001	BLACK	30MICRONCH Au SEE NOTES[2-(d),2-(g)]
67068-9000	WHITE	GOLD FLASH SEE NOTES[2-(c),2-(g)]
67068-9001	WHITE	30MICRONCH Au SEE NOTES[2-(d),2-(g)]
67068-8012	BLACK	30MICRONCH Au SEE NOTES[2-(f),2-(h)]
67068-8013	BLACK	GOLD FLASH SEE NOTES[2-(e),2-(h)]

REVISED	EC NO: SH2007-0468	2007/01/19
DRAWN/WHOY	CHKD: WANG	2007/01/19
APPR: JICHEN		2007/01/26
DESCRIPTION		

QUALITY SYMBOLS	▽=0
	▽=0

GENERAL TOLERANCES (UNLESS SPECIFIED)	
	mm
4 PLACES	± 0.25
3 PLACES	± 0.25
2 PLACES	± 0.25
1 PLACE	± 0.25
ANGULAR ± 3°	

DRAFT WHERE APPLICABLE MUST REMAIN WITHIN DIMENSIONS

DRAWN BY	DATE
DAVID HU	2004/11/05
CHECKED BY	DATE
HARVEY	2004/11/05
APPROVED BY	DATE

SCALE	DESIGN UNITS	THIRD ANGLE PROJECTION
4:1	METRIC	
TITLE		
USB B TYPE CONNECTOR LEAD-FREE		
MATERIAL NO.		
SEE NOTES		
DOCUMENT NO.		
SD-67068-004		
SHEET NO.		1 OF 1