

Excellent Integrated System Limited

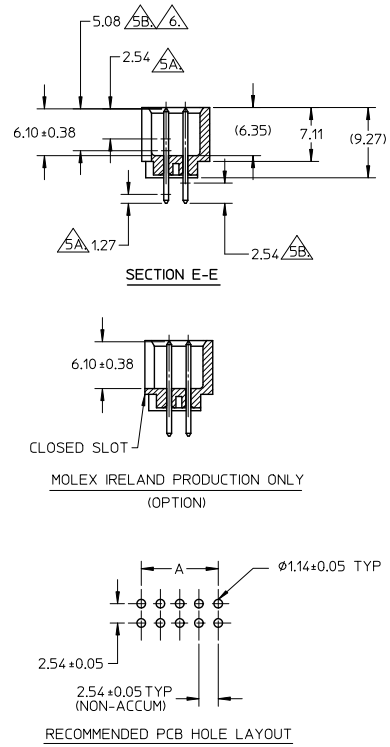
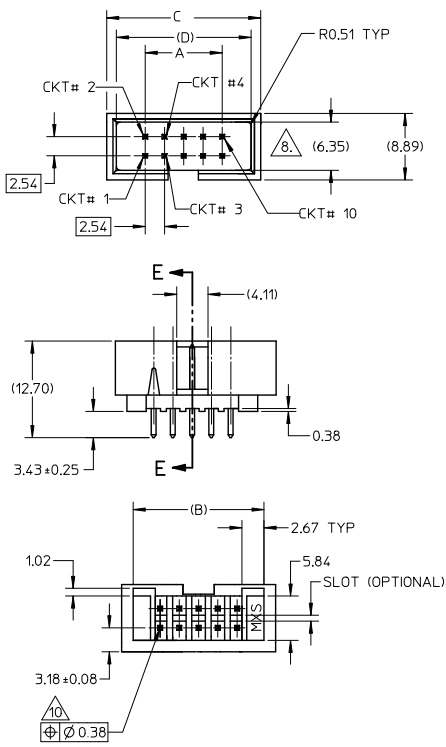
Stocking Distributor

Click to view price, real time Inventory, Delivery & Lifecycle Information:

[Molex Connector Corporation](#)
[70246-6401](#)

For any questions, you can email us directly:
sales@integrated-circuit.com

10 9 8 7 6 5 4 3 2 1



- NOTES:
- PIN PUSHOUT FORCE (.9072KG)/2LBS MIN.
 - PIN SOLDERABILITY PER MOLEX SPEC. ES-152.
 - PRODUCT SPEC: PS-70246 APPLIES.
 - WAFER TO BE FLAT WITHIN .003 MM/MM.
 - DIMENSIONS FOR PLATING LOCATION:
 - △5A MEASURE POINT FOR THICKNESS
 - △5B MINIMUM COVERAGE
 - △6 GOLD END OF PIN UNLESS OVERALL PLATED.
 - FINISH:
 - 571 : 15 MICRO INCHES MIN GOLD PLATE ON CONTACT AND 75 MICRO INCHES MIN TIN PLATE ON SOLDERTAIL BOTH OVER 50 MICRO INCHES MIN NICKEL OVERALL.
 - 574 : 30 MICRO INCHES MIN GOLD PLATE ON CONTACT AND 75 MICRO INCHES MIN TIN PLATE ON SOLDERTAIL BOTH OVER 50 MICRO INCHES MIN NICKEL OVERALL.
 - 544 : 5 MICRO INCHES MIN GOLD PLATE ON CONTACT AND 75 MICRO INCHES MIN TIN PLATE ON SOLDERTAIL BOTH OVER 50 MICRO INCHES MIN NICKEL OVERALL.
 - 573 : 20 MICRO INCHES MIN GOLD PLATE ON CONTACT AND 100 MICRO INCHES MIN TIN PLATE ON SOLDERTAIL BOTH OVER 50 MICRO INCHES MIN NICKEL OVERALL.
 - DIM AT THE CENTRE OF THE SHROUDED WALL SHALL BE 5.91MM MIN. THIS SPEC IS VALID FOR ALL CKT SIZE.
 - MATERIAL:
 - HSG: GLASS FILLED PBT, UL94V-0, COLOUR BLACK
 - PIN: 0.64MM SQ. PIN PHOSPHOR BRONZE.
 - SOLDERTAIL POSITIONAL TOLERANCE SHALL BE GAUGED.

ADD NOTE 10 EC No: S2012-0139 DRAWN BY: J3 CHECKED BY: CHYKATSEE APPR: M LONG 2011/08/18 2011/08/25 2011/08/25	QUALITY SYMBOLS ▽=0 ▽=0	GENERAL TOLERANCES (UNLESS SPECIFIED)		DIMENSION STYLE MM ONLY		SCALE NTS	DESIGN UNITS METRIC	THIRD ANGLE PROJECTION	
		4 PLACES ± --- ± ---	3 PLACES ± --- ± ---	DRAWN BY JENNIFER	DATE 1987/09/18	TITLE C-GRID, SHROUDED HEADER (SLOTTED W/O STANDOFFS)			
		2 PLACES ± 0.20 ± ---	1 PLACE ± --- ± ---	CHECKED BY RWONG	DATE 1987/09/18	MOLEX INCORPORATED			
		ANGULAR ± 3 °		APPROVED BY ALANB	DATE 1987/09/18	MATERIAL NO. SEE TABLE	DOCUMENT NO. SDA-70246-**20-25_39-41	SHEET NO. 1 OF 2	
DRAFT WHERE APPLICABLE MUST REMAIN WITHIN DIMENSIONS				THIS DRAWING CONTAINS INFORMATION THAT IS PROPRIETARY TO MOLEX INCORPORATED AND SHOULD NOT BE USED WITHOUT WRITTEN PERMISSION					

9 8 7 6 5 4 3 2 1

	10	9		8		7		6	5	4	3	2	1
	PART NUMBER	CKT SIZE	VOID CKT	DIM A	DIM B	DIM C	DIM D	VOID CKT. ONLY APPLY TO PLATING CODE					
F	70246-08**	08	-	7.62	14.73	17.78	15.24	-					
F	70246-10**	10	-	10.16	17.27	20.32	17.78	-					
F	70246-12**	12	-	12.70	19.81	22.86	20.32	-					
F	70246-14**	14	-	15.24	22.35	25.40	22.86	-					
F	70246-16**	16	-	17.78	24.89	27.94	25.40	-					
F	70246-20**	20	-	22.86	29.97	33.02	30.48	-					
F	70246-24**	24	-	27.94	35.05	38.10	35.56	-					
F	70246-26**	26	-	30.48	37.59	40.64	38.10	-					
E	70246-30**	30	-	35.56	42.67	45.72	43.18	-					
E	70246-34**	34	-	40.64	47.75	50.80	48.26	-					
E	70246-40**	40	-	48.26	55.37	58.42	55.88	-					
E	70246-44**	44	-	53.34	60.45	63.50	60.96	-					
E	70246-50**	50	-	60.96	68.07	71.12	68.58	-					
E	70246-56**	56	-	68.58	75.69	78.74	76.20	-					
E	70246-60**	60	-	73.66	80.77	83.82	81.28	-					
E	70246-64**	64	-	78.74	85.85	88.90	86.36	-					
D	70246-72**	72	-	88.90	96.01	99.06	96.52	-					
D	70246-25**	26	26	30.48	37.59	40.64	38.10	-					
D	70246-1003	10	10	10.16	17.27	20.32	17.78	571					

LEGEND:

70246 - * * * *

CKT SIZE

PLATING OPT.

SEE TABLE FOR DETAIL

△ PART NUMBER	PLATING OPTION
70246-**01	571
70246-**02	574
70246-**04	544
70246-**12	573

ADD NOTE 10 EC No: S2012-0139 DRAWN: SKANG 2011/08/18 CHKD: ATSEE 2011/08/25 APPR: HLONG 2011/08/25 REV DESCRIPTION	QUALITY SYMBOLS	GENERAL TOLERANCES (UNLESS SPECIFIED)	DIMENSION STYLE	SCALE	DESIGN UNITS	THIRD ANGLE PROJECTION
	▽=0	4 PLACES ± --- ± ---	MM ONLY	NTS	METRIC	☉
	▽=0	3 PLACES ± --- ± ---				
		2 PLACES ± 0.20 ± ---				
	1 PLACE ± --- ± ---	ANGULAR ± 3 °				
		DRAFT WHERE APPLICABLE MUST REMAIN WITHIN DIMENSIONS	MATERIAL NO.			
			SEE TABLE			
			THIS DRAWING CONTAINS INFORMATION THAT IS PROPRIETARY TO MOLEX INCORPORATED AND SHOULD NOT BE USED WITHOUT WRITTEN PERMISSION			

C-GRID, SHROUDED HEADER (SLOTTED W/O STANDOFFS)

MOLEX INCORPORATED

DOCUMENT NO. SDA-70246-**20-25_39-41 SHEET NO. 2 OF 2