

Excellent Integrated System Limited

Stocking Distributor

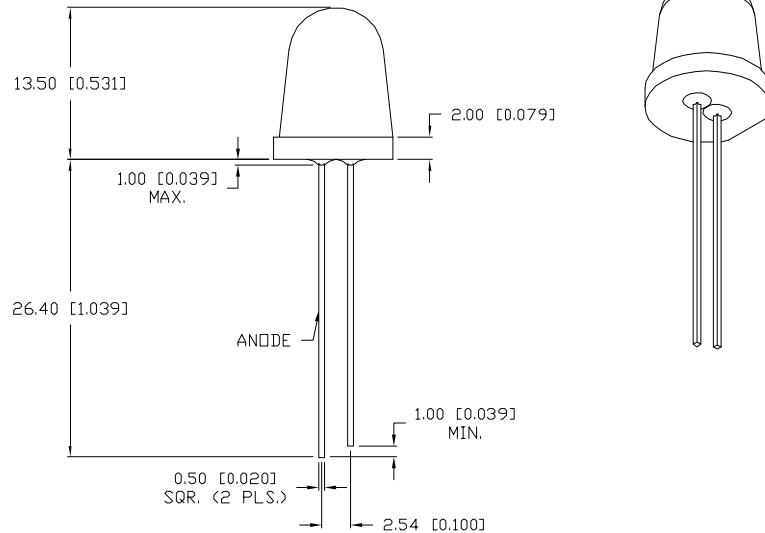
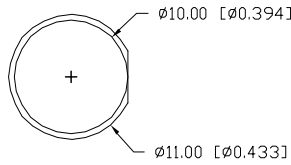
Click to view price, real time Inventory, Delivery & Lifecycle Information:

[Lumex, Inc.](#)
[SSL-LX100133XUWC](#)

For any questions, you can email us directly:
sales@integrated-circuit.com

UNCONTROLLED DOCUMENT

PART NUMBER	REV.
SSL-LX100133XUWC	



ELECTRO-OPTICAL CHARACTERISTICS TA=25°C

PARAMETER	SYMBOL	MIN	TYP	MAX	UNITS	TEST COND
PEAK WAVELENGTH			550		nm	
FORWARD VOLTAGE	V _f		3.5	4.0	V	I _f =20mA
REVERSE VOLTAGE	V _r	5.0			V	I _r =10μA
AXIAL INTENSITY(*1)	I _v		10000		mcd	I _f =20mA
CHROMATICITY	X		0.29			I _f =20mA
COORDINATES(*2)	Y		0.30			I _f =20mA
VIEWING ANGLE			10		2x theta	
EMITTED COLOR:			WHITE			
EPOXY LENS FINISH:			WATER CLEAR			

*1. AXIAL INTENSITY TESTING CONDITION: 550nm WAVELENGTH.
 *2. THE ICI STANDARD COLORIMETRIC SYSTEM.


LIMITS OF SAFE OPERATION AT 25°C

PARAMETER	SYMBOL	MAX	UNITS
PULSE FORWARD CURRENT	I _p	100*	mA
STEADY CURRENT	I _F	25	mA
POWER DISSIPATION	P _D	100	mW
OPERATING TEMP.	T _{OPR}	-30 TO +80	°C
STORAGE TEMP.	T _{STG}	-40 TO +100	°C
SOLDERING TEMP.		+260	°C
2.0mm FROM BODY			3 SEC. MAX

*DUTY 1/10 PULSE WIDTH 10ms

UNCONTROLLED DOCUMENT

*UNLESS OTHERWISE SPECIFIED TOLERANCES PER DECIMAL PRECISION ARE: X=±1 (±0.039), X.X=±0.5 (±0.020), X.XX=±0.25 (±0.010), X.XXX=±0.127 (±0.005). LEAD SIZE=±0.05 (±0.002), LEAD LENGTH=±0.75 (±0.030). MIN.=^{+DECIMAL PRECISION}_{-0.00} MAX.=^{+0.00}_{-DECIMAL PRECISION}

REV.	PART NUMBER SSL-LX100133XUWC	<p>CONFIDENTIAL INFORMATION</p> <p>THE INFORMATION CONTAINED IN THIS DOCUMENT IS THE PROPERTY OF LUMEX INC. EXCEPT AS SPECIFICALLY AUTHORIZED IN WRITING BY LUMEX INC., THE HOLDER OF THIS DOCUMENT SHALL KEEP ALL INFORMATION CONTAINED HEREIN CONFIDENTIAL AND SHALL PROTECT SAME IN WHOLE OR IN PART FROM DISCLOSURE AND DISSEMINATION TO ALL THIRD PARTIES.</p> <p>RELIABILITY NOTE</p> <p>OUR MANY YEARS OF EXPERIENCE DATA ACCUMULATION INDICATE THAT SOLDER HEAT IS A MAJOR CAUSE OF EARLY AND FUTURE FAILURE. PLEASE PAY ATTENTION TO YOUR SOLDERING PROCESS.</p>	 <p>290 E. HELEN ROAD PALATINE, IL 60067-6976 PHONE: +1.847.359.2790 US WEB: www.lumex.com TW WEB: www.lumex.com.tw</p>				
	T-10mm (T-3 1/8) SUPER WHITE LED, WATER CLEAR LENS.		<table border="1" style="width: 100%; font-size: x-small;"> <tr> <td>DRAWN BY: GB</td> <td>CHECKED BY:</td> <td>APPROVED BY:</td> <td>DATE: 2.17.03 PAGE: 1 OF 1 SCALE: N/A</td> </tr> </table>	DRAWN BY: GB	CHECKED BY:	APPROVED BY:	DATE: 2.17.03 PAGE: 1 OF 1 SCALE: N/A
DRAWN BY: GB	CHECKED BY:	APPROVED BY:	DATE: 2.17.03 PAGE: 1 OF 1 SCALE: N/A				