

## Excellent Integrated System Limited

Stocking Distributor

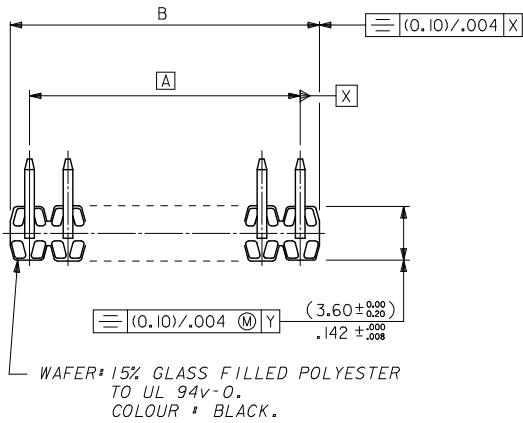
Click to view price, real time Inventory, Delivery & Lifecycle Information:

[Molex Connector Corporation](#)  
[90121-0767](#)

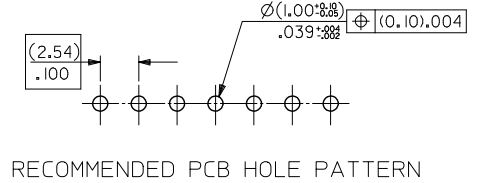
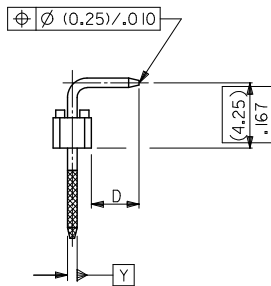
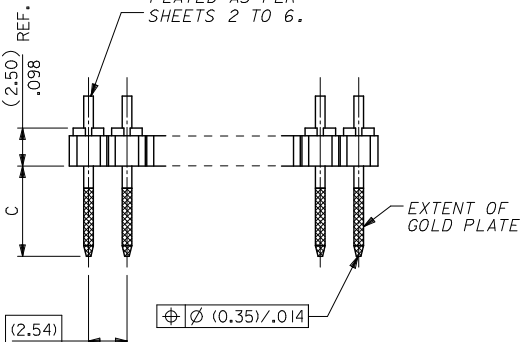
For any questions, you can email us directly:

[sales@integrated-circuit.com](mailto:sales@integrated-circuit.com)

10 9 8 7 6 5 4 3 2 1



PINS:  $(0.635)/.025$  SQ. BRASS WIRE. PLATED AS PER SHEETS 2 TO 6.



CKT SIZE	DIM. "A"		DIM. "B" ( $\pm 0.20$ ) $\pm .008$		CKT SIZE	DIM. "A"		DIM. "B" ( $\pm 0.20$ ) $\pm .008$	
1X 1			(2.54)	.100	1X21	(50.80)	2.000	(53.34)	2.100
1X 2	(2.54)	.100	(5.08)	.200	1X22	(53.34)	2.100	(55.88)	2.200
1X 3	(5.08)	.200	(7.62)	.300	1X23	(55.88)	2.200	(58.42)	2.300
1X 4	(7.62)	.300	(10.16)	.400	1X24	(58.42)	2.300	(60.96)	2.400
1X 5	(10.16)	.400	(12.70)	.500	1X25	(60.96)	2.400	(63.50)	2.500
1X 6	(12.70)	.500	(15.24)	.600	1X26	(63.50)	2.500	(66.04)	2.600
1X 7	(15.24)	.600	(17.78)	.700	1X27	(66.04)	2.600	(68.58)	2.700
1X 8	(17.78)	.700	(20.32)	.800	1X28	(68.58)	2.700	(71.12)	2.800
1X 9	(20.32)	.800	(22.86)	.900	1X29	(71.12)	2.800	(73.66)	2.900
1X10	(22.86)	.900	(25.40)	1.000	1X30	(73.66)	2.900	(76.20)	3.000
1X11	(25.40)	1.000	(27.94)	1.100	1X31	(76.20)	3.000	(78.74)	3.100
1X12	(27.94)	1.100	(30.48)	1.200	1X32	(78.74)	3.100	(81.28)	3.200
1X13	(30.48)	1.200	(33.02)	1.300	1X33	(81.28)	3.200	(83.82)	3.300
1X14	(33.02)	1.300	(35.56)	1.400	1X34	(83.82)	3.300	(86.36)	3.400
1X15	(35.56)	1.400	(38.10)	1.500	1X35	(86.36)	3.400	(88.90)	3.500
1X16	(38.10)	1.500	(40.64)	1.600	1X36	(88.90)	3.500	(91.44)	3.600
1X17	(40.64)	1.600	(43.18)	1.700	1X37	(91.44)	3.600	(93.98)	3.700
1X18	(43.18)	1.700	(45.72)	1.800	1X38	(93.98)	3.700	(96.52)	3.800
1X19	(45.72)	1.800	(48.26)	1.900	1X39	(96.52)	3.800	(99.06)	3.900
1X20	(48.26)	1.900	(50.80)	2.000	1X40	(99.06)	3.900	(101.60)	4.000

NOTES

- PLEASE REFER TO SHT 2 FOR PLATING DETAILS.
- PLEASE REFER TO SHT 3-7 FOR DIMENSIONS C & D.
- RECOMMENDED PCB THICKNESS 1.60MM
- PRODUCT SPECIFICATION: PS-99020-0001

CHANGE DOC. NO. EC NO: S2012-0965 DRAWN BY CHKD BY APPR: MLONG	DESCRIPTION REV	QUALITY SYMBOLS	GENERAL TOLERANCES (UNLESS SPECIFIED)	DIMENSION STYLE	SCALE	DESIGN UNITS	THIRD ANGLE PROJECTION
		$\nabla \sqrt{A} = 0$	mm INCH	MM ONLY	NTS	METRIC	
		$\nabla \sqrt{B} = 0$	4 PLACES $\pm$ --- $\pm$ ---	DRAWN BY DATE	TITLE		
		$\nabla \sqrt{C} = 0$	3 PLACES $\pm$ --- $\pm$ ---	DB 1987/07/16	C-GRID III		
		2 PLACES $\pm 0.20$ $\pm$ ---	CHECKED BY DATE	DB 1987/07/16			SINGLE ROW RIGHT ANGLE HEADER
		1 PLACE $\pm$ --- $\pm$ ---	APPROVED BY DATE	MLONG 2012/02/24			MOLEX INCORPORATED
		ANGULAR $\pm 3^\circ$	MATERIAL NO.	SEE TABLE	DOCUMENT NO.		SD-90121-001
		DRAFT WHERE APPLICABLE MUST REMAIN WITHIN DIMENSIONS	SIZE	A3			SHEET NO. 1 OF 2
			THIS DRAWING CONTAINS INFORMATION THAT IS PROPRIETARY TO MOLEX INCORPORATED AND SHOULD NOT BE USED WITHOUT WRITTEN PERMISSION				

9 8 7 6 5 4 3 2 1

10 9 8 7 6 5 4 3 2 1

PLATING OPTIONS

PLATING	PLATING DESCRIPTION
A	3.00µm MIN TIN OVER 1.27µm NICKEL OVERALL
E	0.38µm MIN GOLD IN SELECTED AREA (2 SIDES) AND 3.00µm MIN TIN IN SELECTED AREA AND 1.30µm MIN NICKEL OVERALL
F	0.76µm MIN GOLD IN SELECTED AREA (2 SIDES) AND 3.00µm MIN TIN IN SELECTED AREA AND 1.30µm MIN NICKEL OVERALL
G	0.05-0.10µm GOLD FLASH IN SELECTED AREA (2 SIDES) AND 3.00µm MIN TIN IN SELECTED AREA AND 1.30µm MIN NICKEL OVERALL

CIRCUIT SIZE	PLATING TYPE A	PLATING TYPE E	PLATING TYPE F	PLATING TYPE G
	PART NO.	PART NO.	PART NO.	PART NO.
1 X 1	90121-0121	90121-0761	90121-0921	90121-1081
1 X 2	-0122	-0762	-0922	-1082
1 X 3	-0123	-0763	-0923	-1083
1 X 4	-0124	-0764	-0924	-1084
1 X 5	-0125	-0765	-0925	-1085
1 X 6	-0126	-0766	-0926	-1086
1 X 7	-0127	-0767	-0927	-1087
1 X 8	-0128	-0768	-0928	-1088
1 X 9	-0129	-0769	-0929	-1089
1 X 10	-0130	-0770	-0930	-1090
1 X 11	-0131	-0771	-0931	-1091
1 X 12	-0132	-0772	-0932	-1092
1 X 13	-0133	-0773	-0933	-1093
1 X 14	-0134	-0774	-0934	-1094
1 X 15	-0135	-0775	-0935	-1095
1 X 16	-0136	-0776	-0936	-1096
1 X 17	-0137	-0777	-0937	-1097
1 X 18	-0138	-0778	-0938	-1098
1 X 19	-0139	-0779	-0939	-1099
1 X 20	-0140	-0780	-0940	-1100
1 X 21	-0141	-0781	-0941	-1101
1 X 22	-0142	-0782	-0942	-1102
1 X 23	-0143	-0783	-0943	-1103
1 X 24	-0144	-0784	-0944	-1104
1 X 25	-0145	-0785	-0945	-1105
1 X 26	-0146	-0786	-0946	-1106
1 X 27	-0147	-0787	-0947	-1107
1 X 28	-0148	-0788	-0948	-1108
1 X 29	-0149	-0789	-0949	-1109
1 X 30	-0150	-0790	-0950	-1110
1 X 31	-0151	-0791	-0951	-1111
1 X 32	-0152	-0792	-0952	-1112
1 X 33	-0153	-0793	-0953	-1113
1 X 34	-0154	-0794	-0954	-1114
1 X 35	-0155	-0795	-0955	-1115
1 X 36	-0156	-0796	-0956	-1116
1 X 37	-0157	-0797	-0957	-1117
1 X 38	-0158	-0798	-0958	-1118
1 X 39	-0159	-0799	-0959	-1119
1 X 40	90121-0160	90121-0800	90121-0960	90121-1120

DIM C (±0.20) ±.008 (6.75) .266

DIM D (±0.25) ±.010 (2.90) .114

CHANGE DOC. NO. EC NO. S2012-0965 DRAWN BY CHKD:SKANG APPR:MLONG 2012/07/03 2012/07/25 2012/07/25	QUALITY SYMBOLS √=0 √=0 √=0	GENERAL TOLERANCES (UNLESS SPECIFIED) mm INCH 4 PLACES ±--- ±--- 3 PLACES ±--- ±--- 2 PLACES ±0.20 ±--- 1 PLACE ±--- ±--- ANGULAR ± 3°	DIMENSION STYLE MM ONLY DRAWN BY DATE DB 1987/07/16 CHECKED BY DATE DB 1987/07/16 APPROVED BY DATE MLONG 2012/02/24	SCALE NTS DESIGN UNITS METRIC	THIRD ANGLE PROJECTION
		DRAFT WHERE APPLICABLE MUST REMAIN WITHIN DIMENSIONS	MATERIAL NO. SEE TABLE	DOCUMENT NO. SD-90121-001	SHEET NO. 2 OF 2
		TITLE C-GRID III SINGLE ROW RIGHT ANGLE HEADER			MOLEX INCORPORATED
		THIS DRAWING CONTAINS INFORMATION THAT IS PROPRIETARY TO MOLEX INCORPORATED AND SHOULD NOT BE USED WITHOUT WRITTEN PERMISSION			

9 8 7 6 5 4 3 2 1