



Excellent Integrated System Limited

Stocking Distributor

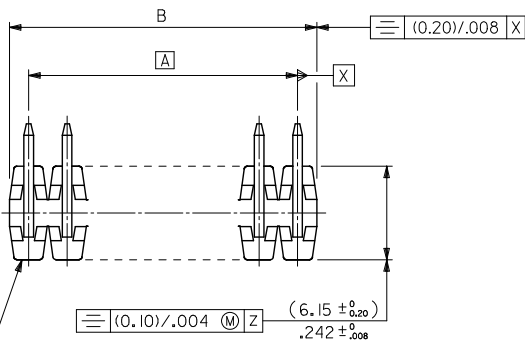
Click to view price, real time Inventory, Delivery & Lifecycle Information:

[Molex Connector Corporation](#)
[0901220125](#)

For any questions, you can email us directly:

sales@integrated-circuit.com

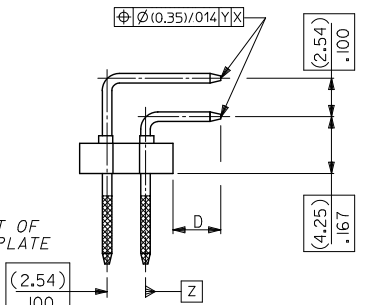
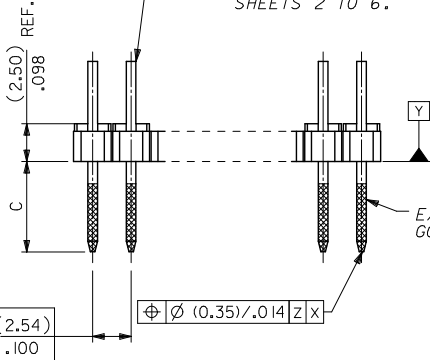
10 9 8 7 6 5 4 3 2 1



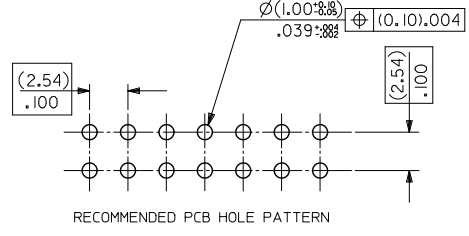
CKT SIZE	DIM. "A"		DIM. "B" ($\begin{smallmatrix} +0.20 \\ -0.38 \\ +0.008 \\ -0.014 \end{smallmatrix}$)		CKT SIZE	DIM. "A"		DIM. "B" ($\begin{smallmatrix} +0.20 \\ \pm .008 \end{smallmatrix}$)	
2X 1			(2.54)	.100	2X21	(50.80)	2.000	(53.34)	2.100
2X 2	(2.54)	.100	(5.08)	.200	2X22	(53.34)	2.100	(55.88)	2.200
2X 3	(5.08)	.200	(7.62)	.300	2X23	(55.88)	2.200	(58.42)	2.300
2X 4	(7.62)	.300	(10.16)	.400	2X24	(58.42)	2.300	(60.96)	2.400
2X 5	(10.16)	.400	(12.70)	.500	2X25	(60.96)	2.400	(63.50)	2.500
2X 6	(12.70)	.500	(15.24)	.600	2X26	(63.50)	2.500	(66.04)	2.600
2X 7	(15.24)	.600	(17.78)	.700	2X27	(66.04)	2.600	(68.58)	2.700
2X 8	(17.78)	.700	(20.32)	.800	2X28	(68.58)	2.700	(71.12)	2.800
2X 9	(20.32)	.800	(22.86)	.900	2X29	(71.12)	2.800	(73.66)	2.900
2X10	(22.86)	.900	(25.40)	1.000	2X30	(73.66)	2.900	(76.20)	3.000
2X11	(25.40)	1.000	(27.94)	1.100	2X31	(76.20)	3.000	(78.74)	3.100
2X12	(27.94)	1.100	(30.48)	1.200	2X32	(78.74)	3.100	(81.28)	3.200
2X13	(30.48)	1.200	(33.02)	1.300	2X33	(81.28)	3.200	(83.82)	3.300
2X14	(33.02)	1.300	(35.56)	1.400	2X34	(83.82)	3.300	(86.36)	3.400
2X15	(35.56)	1.400	(38.10)	1.500	2X35	(86.36)	3.400	(88.90)	3.500
2X16	(38.10)	1.500	(40.64)	1.600	2X36	(88.90)	3.500	(91.44)	3.600
2X17	(40.64)	1.600	(43.18)	1.700	2X37	(91.44)	3.600	(93.98)	3.700
2X18	(43.18)	1.700	(45.72)	1.800	2X38	(93.98)	3.700	(96.52)	3.800
2X19	(45.72)	1.800	(48.26)	1.900	2X39	(96.52)	3.800	(99.06)	3.900
2X20	(48.26)	1.900	(50.80)	2.000	2X40	(99.06)	3.900	(101.60)	4.000

WAFER: 15% GLASS FILLED POLYESTER TO UL 94V-0. COLOUR: BLACK.

PINS: (0.650)/.0255 SQ. BRASS WIRE. PLATED AS PER SHEETS 2 TO 6.



NOTES
1. FOR ASSY NUMBERS WITH FINISH OPTIONS AND DIM'S C & D SEE SHEETS 2 TO 6.



NOTES
2. RECOMMENDED PCB THICKNESS: 1.6MM
3. PRODUCT SPECIFICATION: PS-99020-0001

REV	DESCRIPTION
M2	REV

QUALITY SYMBOLS
$\nabla=0$
$\nabla=0$
$\nabla=0$

GENERAL TOLERANCES (UNLESS SPECIFIED)
4 PLACES ± --- ± ---
3 PLACES ± --- ± ---
2 PLACES ± 0.05 ± .002
1 PLACE ± --- ± ---
ANGULAR ± --- °
DRAFT WHERE APPLICABLE MUST REMAIN WITHIN DIMENSIONS

DIMENSION STYLE	SCALE	DESIGN UNITS	THIRD ANGLE PROJECTION
MM ONLY	NTS	METRIC	
DRAWN BY	DATE	TITLE	
DB	16/07/87	C-GRID III DUAL ROW RIGHT ANGLE HEADER	
CHECKED BY	DATE		
DB	1987/07/16		
APPROVED BY	DATE		
DB	1987/07/16		
MATERIAL NO.	DOCUMENT NO.		
SEE TABLE	SDA-90122		

MOLEX INCORPORATED	SHEET NO. 1 OF 6
--------------------	------------------

9 8 7 6 5 4 3 2 1

	10	9	8	7	6	5	4	3	2	1
		CIRCUIT SIZE	PLATING TYPE A PART NO.	PLATING TYPE E PART NO.	PLATING TYPE F PART NO.					
		2 X 1	90122-0121	90122-0761	90122-0921					
		2 X 2	-0122	-0762	-0922					
		2 X 3	-0123	-0763	-0923					
		2 X 4	-0124	-0764	-0924					
		2 X 5	-0125	-0765	-0925					
		2 X 6	-0126	-0766	-0926					
		2 X 7	-0127	-0767	-0927					
		2 X 8	-0128	-0768	-0928					
		2 X 9	-0129	-0769	-0929					
		2 X 10	-0130	-0770	-0930					
		2 X 11	-0131	-0771	-0931					
		2 X 12	-0132	-0772	-0932					
		2 X 13	-0133	-0773	-0933					
		2 X 14	-0134	-0774	-0934					
		2 X 15	-0135	-0775	-0935					
		2 X 16	-0136	-0776	-0936					
		2 X 17	-0137	-0777	-0937					
		2 X 18	-0138	-0778	-0938					
		2 X 19	-0139	-0779	-0939					
		2 X 20	-0140	-0780	-0940					
		2 X 21	-0141	-0781	-0941					
		2 X 22	-0142	-0782	-0942					
		2 X 23	-0143	-0783	-0943					
		2 X 24	-0144	-0784	-0944					
		2 X 25	-0145	-0785	-0945					
		2 X 26	-0146	-0786	-0946					
		2 X 27	-0147	-0787	-0947					
		2 X 28	-0148	-0788	-0948					
		2 X 29	-0149	-0789	-0949					
		2 X 30	-0150	-0790	-0950					
		2 X 31	-0151	-0791	-0951					
		2 X 32	-0152	-0792	-0952					
		2 X 33	-0153	-0793	-0953					
		2 X 34	-0154	-0794	-0954					
		2 X 35	-0155	-0795	-0955					
		2 X 36	-0156	-0796	-0956					
		2 X 37	-0157	-0797	-0957					
		2 X 38	-0158	-0798	-0958					
		2 X 39	-0159	-0799	-0959					
		2 X 40	90122-0160	90122-0800	90122-0960					

DIM C (+0.20 / -0.008) (6.75) .266

DIM D (+0.25 / -0.0) (2.90) .114

NOTES:
FOR PLATING VARIATIONS SEE
ENG.STD. SDES-99000-0003.

REVISE PIN DIM EC. NO. S2012-0325 DRAWN:KANG 2011/08/24 CHKD:ATSEE 2011/08/31 APPR:MLONG 2011/09/31 REV M2	QUALITY SYMBOLS	GENERAL TOLERANCES (UNLESS SPECIFIED)	DIMENSION STYLE MM ONLY	SCALE NTS	DESIGN UNITS METRIC	THIRD ANGLE PROJECTION	
	$\sqrt{\text{V}}=0$ $\sqrt{\text{E}}=0$ $\sqrt{\text{D}}=0$	4 PLACES ± --- ± --- 3 PLACES ± --- ± --- 2 PLACES ± 0.05 ± .002 1 PLACE ± --- ± --- ANGULAR ± ---°	DRAWN BY DB DATE 16/07/87 CHECKED BY DB DATE 1987/07/16 APPROVED BY DB DATE 1987/07/16	TITLE			
		DRAFT WHERE APPLICABLE MUST REMAIN WITHIN DIMENSIONS	MATERIAL NO. SEE TABLE	C-GRID III DUAL ROW RIGHT ANGLE HEADER			
				MOLEX INCORPORATED DOCUMENT NO. SDA-90122 SHEET NO. 2 OF 6			

	10	9	8	7	6	5	4	3	2	1
	CIRCUIT SIZE	PLATING TYPE A PART NO.	PLATING TYPE E PART NO.	PLATING TYPE F PART NO.			CIRCUIT SIZE	PLATING TYPE A PART NO.	PLATING TYPE E PART NO.	PLATING TYPE F PART NO.
	2 X 1	90122-0041	90122-0681	90122-0841			2 X 1	90122-0081	90122-0721	90122-0881
	2 X 2	-0042	-0682	-0842			2 X 2	-0082	-0722	-0882
	2 X 3	-0043	-0683	-0843			2 X 3	-0083	-0723	-0883
	2 X 4	-0044	-0684	-0844			2 X 4	-0084	-0724	-0884
	2 X 5	-0045	-0685	-0845			2 X 5	-0085	-0725	-0885
	2 X 6	-0046	-0686	-0846			2 X 6	-0086	-0726	-0886
	2 X 7	-0047	-0687	-0847			2 X 7	-0087	-0727	-0887
	2 X 8	-0048	-0688	-0848			2 X 8	-0088	-0728	-0888
	2 X 9	-0049	-0689	-0849			2 X 9	-0089	-0729	-0889
	2 X 10	-0050	-0690	-0850			2 X 10	-0090	-0730	-0890
	2 X 11	-0051	-0691	-0851			2 X 11	-0091	-0731	-0891
	2 X 12	-0052	-0692	-0852			2 X 12	-0092	-0732	-0892
	2 X 13	-0053	-0693	-0853			2 X 13	-0093	-0733	-0893
	2 X 14	-0054	-0694	-0854			2 X 14	-0094	-0734	-0894
	2 X 15	-0055	-0695	-0855			2 X 15	-0095	-0735	-0895
	2 X 16	-0056	-0696	-0856			2 X 16	-0096	-0736	-0896
	2 X 17	-0057	-0697	-0857			2 X 17	-0097	-0737	-0897
	2 X 18	-0058	-0698	-0858			2 X 18	-0098	-0738	-0898
	2 X 19	-0059	-0699	-0859			2 X 19	-0099	-0739	-0899
	2 X 20	-0060	-0700	-0860			2 X 20	-0100	-0740	-0900
	2 X 21	-0061	-0701	-0861			2 X 21	-0101	-0741	-0901
	2 X 22	-0062	-0702	-0862			2 X 22	-0102	-0742	-0902
	2 X 23	-0063	-0703	-0863			2 X 23	-0103	-0743	-0903
	2 X 24	-0064	-0704	-0864			2 X 24	-0104	-0744	-0904
	2 X 25	-0065	-0705	-0865			2 X 25	-0105	-0745	-0905
	2 X 26	-0066	-0706	-0866			2 X 26	-0106	-0746	-0906
	2 X 27	-0067	-0707	-0867			2 X 27	-0107	-0747	-0907
	2 X 28	-0068	-0708	-0868			2 X 28	-0108	-0748	-0908
	2 X 29	-0069	-0709	-0869			2 X 29	-0109	-0749	-0909
	2 X 30	-0070	-0710	-0870			2 X 30	-0110	-0750	-0910
	2 X 31	-0071	-0711	-0871			2 X 31	-0111	-0751	-0911
	2 X 32	-0072	-0712	-0872			2 X 32	-0112	-0752	-0912
	2 X 33	-0073	-0713	-0873			2 X 33	-0113	-0753	-0913
	2 X 34	-0074	-0714	-0874			2 X 34	-0114	-0754	-0914
	2 X 35	-0075	-0715	-0875			2 X 35	-0115	-0755	-0915
	2 X 36	-0076	-0716	-0876			2 X 36	-0116	-0756	-0916
	2 X 37	-0077	-0717	-0877			2 X 37	-0117	-0757	-0917
	2 X 38	-0078	-0718	-0878			2 X 38	-0118	-0758	-0918
	2 X 39	-0079	-0719	-0879			2 X 39	-0119	-0759	-0919
	2 X 40	90122-0080	90122-0720	90122-0880			2 X 40	90122-0120	90122-0760	90122-0920

DIM C (±0.25) ±.008 (5.75) .226

DIM C (±0.25) ±.008 (5.75) .226

DIM D (±0.25) ±.010 (2.90) .114

DIM D (±0.25) ±.010 (4.50) .177

NOTES:
FOR PLATING VARIATIONS SEE
ENG.STD. SDES-99000-0003.

REVISE PIN DIM EC. NO. S2012-0325 DRAWN:KANG 2011/07/16 CHK:DATSEE 2011/07/31 APPR:HLONG 2011/07/31 M2	QUALITY SYMBOLS	GENERAL TOLERANCES (UNLESS SPECIFIED)	DIMENSION STYLE	SCALE	DESIGN UNITS	THIRD ANGLE PROJECTION																		
	$\sqrt{\text{V}}=0$ $\sqrt{\text{V}}=0$ $\sqrt{\text{V}}=0$	<table border="1"> <tr> <th></th> <th>mm</th> <th>INCH</th> </tr> <tr> <td>4 PLACES</td> <td>±---</td> <td>±---</td> </tr> <tr> <td>3 PLACES</td> <td>±---</td> <td>±---</td> </tr> <tr> <td>2 PLACES</td> <td>±0.05</td> <td>±.002</td> </tr> <tr> <td>1 PLACE</td> <td>±---</td> <td>±---</td> </tr> <tr> <td colspan="3">ANGULAR ±---°</td> </tr> </table>		mm	INCH	4 PLACES	±---	±---	3 PLACES	±---	±---	2 PLACES	±0.05	±.002	1 PLACE	±---	±---	ANGULAR ±---°			MM ONLY	NTS	METRIC	
		mm	INCH																					
	4 PLACES	±---	±---																					
3 PLACES	±---	±---																						
2 PLACES	±0.05	±.002																						
1 PLACE	±---	±---																						
ANGULAR ±---°																								
DRAWN BY: DB CHECKED BY: DB APPROVED BY: DB DATE: 16/07/16 DATE: 1987/07/16 DATE: 1987/07/16	DRAFT WHERE APPLICABLE MUST REMAIN WITHIN DIMENSIONS	MATERIAL NO. SEE TABLE	TITLE C-GRID III DUAL ROW RIGHT ANGLE HEADER	MOLEX INCORPORATED	DOCUMENT NO. SDA-90122	SHEET NO. 3 OF 6																		
THIS DRAWING CONTAINS INFORMATION THAT IS PROPRIETARY TO MOLEX INCORPORATED AND SHOULD NOT BE USED WITHOUT WRITTEN PERMISSION																								

	10	9	8	7	6	5	4	3	2	1
	CIRCUIT SIZE	PLATING TYPE A PART NO.	PLATING TYPE E PART NO.	PLATING TYPE F PART NO.						
	2 X 1	90122-0161	90122-0801	90122-0961						
	2 X 2	-0162	-0802	-0962						
	2 X 3	-0163	-0803	-0963						
	2 X 4	-0164	-0804	-0964						
	2 X 5	-0165	-0805	-0965						
	2 X 6	-0166	-0806	-0966						
	2 X 7	-0167	-0807	-0967						
	2 X 8	-0168	-0808	-0968						
	2 X 9	-0169	-0809	-0969						
	2 X 10	-0170	-0810	-0970						
	2 X 11	-0171	-0811	-0971						
	2 X 12	-0172	-0812	-0972						
	2 X 13	-0173	-0813	-0973						
	2 X 14	-0174	-0814	-0974						
	2 X 15	-0175	-0815	-0975						
	2 X 16	-0176	-0816	-0976						
	2 X 17	-0177	-0817	-0977						
	2 X 18	-0178	-0818	-0978						
	2 X 19	-0179	-0819	-0979						
	2 X 20	-0180	-0820	-0980						
	2 X 21	-0181	-0821	-0981						
	2 X 22	-0182	-0822	-0982						
	2 X 23	-0183	-0823	-0983						
	2 X 24	-0184	-0824	-0984						
	2 X 25	-0185	-0825	-0985						
	2 X 26	-0186	-0826	-0986						
	2 X 27	-0187	-0827	-0987						
	2 X 28	-0188	-0828	-0988						
	2 X 29	-0189	-0829	-0989						
	2 X 30	-0190	-0830	-0990						
	2 X 31	-0191	-0831	-0991						
	2 X 32	-0192	-0832	-0992						
	2 X 33	-0193	-0833	-0993						
	2 X 34	-0194	-0834	-0994						
	2 X 35	-0195	-0835	-0995						
	2 X 36	-0196	-0836	-0996						
	2 X 37	-0197	-0837	-0997						
	2 X 38	-0198	-0838	-0998						
	2 X 39	-0199	-0839	-0999						
	2 X 40	90122-0200	90122-0840	90122-1000						

DIM C
C (±0.20)
±.008
(6.75)
.266

DIM D
D (±0.25)
±.010
(4.50)
.177

NOTES:
FOR PLATING VARIATIONS SEE
ENG.STD. SDES-99000-0003.

REVISE PIN DIM EC. NO. S2012-0325 DRAWN:KANG 2011/07/16 CHK:DATSEE 2011/07/31 APPR:HLONG 2011/07/31 M2	QUALITY SYMBOLS	GENERAL TOLERANCES (UNLESS SPECIFIED)	DIMENSION STYLE	SCALE	DESIGN UNITS	THIRD ANGLE PROJECTION	
	$\sqrt{\nabla}=0$ $\nabla=0$ $\nabla=0$	mm INCH 4 PLACES ± --- ± --- 3 PLACES ± --- ± --- 2 PLACES ± 0.05 ± .002 1 PLACE ± --- ± --- ANGULAR ± ---°	MM ONLY	NTS	METRIC	DRAWN BY DATE DB 16/07/87 CHECKED BY DATE DB 1987/07/16 APPROVED BY DATE DB 1987/07/16	TITLE C-GRID III DUAL ROW RIGHT ANGLE HEADER
		DRAFT WHERE APPLICABLE MUST REMAIN WITHIN DIMENSIONS	SEE TABLE	MATERIAL NO.	DOCUMENT NO.	SHEET NO.	
				THIS DRAWING CONTAINS INFORMATION THAT IS PROPRIETARY TO MOLEX INCORPORATED AND SHOULD NOT BE USED WITHOUT WRITTEN PERMISSION	SDA-90122	4 OF 6	

	10	9	8	7	6	5	4	3	2	1	
	CIRCUIT SIZE	PLATING TYPE B PART NO.	PLATING TYPE C PART NO.	PLATING TYPE D PART NO.	PLATING TYPE G PART NO.		CIRCUIT SIZE	PLATING TYPE B PART NO.	PLATING TYPE C PART NO.	PLATING TYPE D PART NO.	PLATING TYPE G PART NO.
F	2 X 1	90122-0281	90122-0441	90122-0601	90122-1081		2 X 1	90122-0201	90122-0361	90122-0521	90122-1001
	2 X 2	-0282	-0442	-0602	-1082		2 X 2	-0202	-0362	-0522	-1002
	2 X 3	-0283	-0443	-0603	-1083		2 X 3	-0203	-0363	-0523	-1003
	2 X 4	-0284	-0444	-0604	-1084		2 X 4	-0204	-0364	-0524	-1004
	2 X 5	-0285	-0445	-0605	-1085		2 X 5	-0205	-0365	-0525	-1005
	2 X 6	-0286	-0446	-0606	-1086		2 X 6	-0206	-0366	-0526	-1006
	2 X 7	-0287	-0447	-0607	-1087		2 X 7	-0207	-0367	-0527	-1007
	2 X 8	-0288	-0448	-0608	-1088		2 X 8	-0208	-0368	-0528	-1008
	2 X 9	-0289	-0449	-0609	-1089		2 X 9	-0209	-0369	-0529	-1009
E	2 X 10	-0290	-0450	-0610	-1090		2 X 10	-0210	-0370	-0530	-1010
	2 X 11	-0291	-0451	-0611	-1091		2 X 11	-0211	-0371	-0531	-1011
	2 X 12	-0292	-0452	-0612	-1092		2 X 12	-0212	-0372	-0532	-1012
	2 X 13	-0293	-0453	-0613	-1093		2 X 13	-0213	-0373	-0533	-1013
	2 X 14	-0294	-0454	-0614	-1094		2 X 14	-0214	-0374	-0534	-1014
	2 X 15	-0295	-0455	-0615	-1095		2 X 15	-0215	-0375	-0535	-1015
	2 X 16	-0296	-0456	-0616	-1096		2 X 16	-0216	-0376	-0536	-1016
	2 X 17	-0297	-0457	-0617	-1097		2 X 17	-0217	-0377	-0537	-1017
	2 X 18	-0298	-0458	-0618	-1098		2 X 18	-0218	-0378	-0538	-1018
	2 X 19	-0299	-0459	-0619	-1099		2 X 19	-0219	-0379	-0539	-1019
D	2 X 20	-0300	-0460	-0620	-1100		2 X 20	-0220	-0380	-0540	-1020
	2 X 21	-0301	-0461	-0621	-1101		2 X 21	-0221	-0381	-0541	-1021
	2 X 22	-0302	-0462	-0622	-1102		2 X 22	-0222	-0382	-0542	-1022
	2 X 23	-0303	-0463	-0623	-1103		2 X 23	-0223	-0383	-0543	-1023
	2 X 24	-0304	-0464	-0624	-1104		2 X 24	-0224	-0384	-0544	-1024
	2 X 25	-0305	-0465	-0625	-1105		2 X 25	-0225	-0385	-0545	-1025
	2 X 26	-0306	-0466	-0626	-1106		2 X 26	-0226	-0386	-0546	-1026
	2 X 27	-0307	-0467	-0627	-1107		2 X 27	-0227	-0387	-0547	-1027
	2 X 28	-0308	-0468	-0628	-1108		2 X 28	-0228	-0388	-0548	-1028
	2 X 29	-0309	-0469	-0629	-1109		2 X 29	-0229	-0389	-0549	-1029
C	2 X 30	-0310	-0470	-0630	-1110		2 X 30	-0230	-0390	-0550	-1030
	2 X 31	-0311	-0471	-0631	-1111		2 X 31	-0231	-0391	-0551	-1031
	2 X 32	-0312	-0472	-0632	-1112		2 X 32	-0232	-0392	-0552	-1032
	2 X 33	-0313	-0473	-0633	-1113		2 X 33	-0233	-0393	-0553	-1033
	2 X 34	-0314	-0474	-0634	-1114		2 X 34	-0234	-0394	-0554	-1034
	2 X 35	-0315	-0475	-0635	-1115		2 X 35	-0235	-0395	-0555	-1035
	2 X 36	-0316	-0476	-0636	-1116		2 X 36	-0236	-0396	-0556	-1036
	2 X 37	-0317	-0477	-0637	-1117		2 X 37	-0237	-0397	-0557	-1037
	2 X 38	-0318	-0478	-0638	-1118		2 X 38	-0238	-0398	-0558	-1038
B	2 X 39	-0319	-0479	-0639	-1119		2 X 39	-0239	-0399	-0559	-1039
	2 X 40	90122-0320	90122-0480	90122-0640	90122-1120		2 X 40	90122-0240	90122-0400	90122-0560	90122-1040

DIM C (±0.20) ±.008 (6.75) .266

DIM C (±0.20) ±.008 (5.75) .226

DIM D (±0.25) ±.010 (2.90) .114

DIM D (±0.25) ±.010 (2.90) .114

NOTES:
FOR PLATING VARIATIONS SEE
ENG.STD. SDES-99000-0003.

REVISE PIN DIM	2011/07/16
EC. NO. S2012-0325	2011/07/16
DRAWN:SKMG	2011/07/16
CHKD:ATSEE	2011/07/16
APPR:HLONG	2011/07/16
REV	DESCRIPTION
M2	

QUALITY SYMBOLS
√=0
∇=0
∇=0

GENERAL TOLERANCES (UNLESS SPECIFIED)	
	mm INCH
4 PLACES	±.005 ±.002
3 PLACES	±.005 ±.002
2 PLACES	±.005 ±.002
1 PLACE	±.005 ±.002
ANGULAR ±.005°	
DRAFT WHERE APPLICABLE MUST REMAIN WITHIN DIMENSIONS	

DIMENSION STYLE	
MM ONLY	
DRAWN BY	DATE
DB	16/07/16
CHECKED BY	DATE
DB	1987/07/16
APPROVED BY	DATE
DB	1987/07/16
MATERIAL NO.	DOCUMENT NO.
SEE TABLE	SDA-90122

SCALE	DESIGN UNITS	THIRD ANGLE PROJECTION
NTS	METRIC	
C-GRID III DUAL ROW RIGHT ANGLE HEADER		
MOLEX INCORPORATED		
SHEET NO.	5 OF 6	

	10	9	8	7	6	5	4	3	2	1	
	CIRCUIT SIZE	PLATING TYPE B PART NO.	PLATING TYPE C PART NO.	PLATING TYPE D PART NO.	PLATING TYPE G PART NO.		CIRCUIT SIZE	PLATING TYPE B PART NO.	PLATING TYPE C PART NO.	PLATING TYPE D PART NO.	PLATING TYPE G PART NO.
F	2 X 1	90122-0241	90122-0401	90122-0561	90122-1041		2 X 1	90122-0321	90122-0481	90122-0641	90122-1121
	2 X 2	-0242	-0402	-0562	-1042		2 X 2	-0322	-0482	-0642	-1122
	2 X 3	-0243	-0403	-0563	-1043		2 X 3	-0323	-0483	-0643	-1123
	2 X 4	-0244	-0404	-0564	-1044		2 X 4	-0324	-0484	-0644	-1124
	2 X 5	-0245	-0405	-0565	-1045		2 X 5	-0325	-0485	-0645	-1125
	2 X 6	-0246	-0406	-0566	-1046		2 X 6	-0326	-0486	-0646	-1126
	2 X 7	-0247	-0407	-0567	-1047		2 X 7	-0327	-0487	-0647	-1127
	2 X 8	-0248	-0408	-0568	-1048		2 X 8	-0328	-0488	-0648	-1128
	2 X 9	-0249	-0409	-0569	-1049		2 X 9	-0329	-0489	-0649	-1129
E	2 X 10	-0250	-0410	-0570	-1050		2 X 10	-0330	-0490	-0650	-1130
	2 X 11	-0251	-0411	-0571	-1051		2 X 11	-0331	-0491	-0651	-1131
	2 X 12	-0252	-0412	-0572	-1052		2 X 12	-0332	-0492	-0652	-1132
	2 X 13	-0253	-0413	-0573	-1053		2 X 13	-0333	-0493	-0653	-1133
	2 X 14	-0254	-0414	-0574	-1054		2 X 14	-0334	-0494	-0654	-1134
	2 X 15	-0255	-0415	-0575	-1055		2 X 15	-0335	-0495	-0655	-1135
	2 X 16	-0256	-0416	-0576	-1056		2 X 16	-0336	-0496	-0656	-1136
	2 X 17	-0257	-0417	-0577	-1057		2 X 17	-0337	-0497	-0657	-1137
	2 X 18	-0258	-0418	-0578	-1058		2 X 18	-0338	-0498	-0658	-1138
	2 X 19	-0259	-0419	-0579	-1059		2 X 19	-0339	-0499	-0659	-1139
D	2 X 20	-0260	-0420	-0580	-1060		2 X 20	-0340	-0500	-0660	-1140
	2 X 21	-0261	-0421	-0581	-1061		2 X 21	-0341	-0501	-0661	-1141
	2 X 22	-0262	-0422	-0582	-1062		2 X 22	-0342	-0502	-0662	-1142
	2 X 23	-0263	-0423	-0583	-1063		2 X 23	-0343	-0503	-0663	-1143
	2 X 24	-0264	-0424	-0584	-1064		2 X 24	-0344	-0504	-0664	-1144
	2 X 25	-0265	-0425	-0585	-1065		2 X 25	-0345	-0505	-0665	-1145
	2 X 26	-0266	-0426	-0586	-1066		2 X 26	-0346	-0506	-0666	-1146
	2 X 27	-0267	-0427	-0587	-1067		2 X 27	-0347	-0507	-0667	-1147
	2 X 28	-0268	-0428	-0588	-1068		2 X 28	-0348	-0508	-0668	-1148
	2 X 29	-0269	-0429	-0589	-1069		2 X 29	-0349	-0509	-0669	-1149
	2 X 30	-0270	-0430	-0590	-1070		2 X 30	-0350	-0510	-0670	-1150
	2 X 31	-0271	-0431	-0591	-1071		2 X 31	-0351	-0511	-0671	-1151
	2 X 32	-0272	-0432	-0592	-1072		2 X 32	-0352	-0512	-0672	-1152
	2 X 33	-0273	-0433	-0593	-1073		2 X 33	-0353	-0513	-0673	-1153
	2 X 34	-0274	-0434	-0594	-1074		2 X 34	-0354	-0514	-0674	-1154
	2 X 35	-0275	-0435	-0595	-1075		2 X 35	-0355	-0515	-0675	-1155
	2 X 36	-0276	-0436	-0596	-1076		2 X 36	-0356	-0516	-0676	-1156
	2 X 37	-0277	-0437	-0597	-1077		2 X 37	-0357	-0517	-0677	-1157
	2 X 38	-0278	-0438	-0598	-1078		2 X 38	-0358	-0518	-0678	-1158
	2 X 39	-0279	-0439	-0599	-1079		2 X 39	-0359	-0519	-0679	-1159
B	2 X 40	90122-0280	90122-0440	90122-0600	90122-1080		2 X 40	90122-0360	90122-0520	90122-0680	90122-1160

DIM C (+0.20 / -0.08) (5.75) .226

DIM C (+0.20 / -0.08) (6.75) .266

DIM D (+0.25 / -0.10) (4.50) .177

DIM D (+0.25 / -0.10) (4.50) .177

NOTES:
FOR PLATING VARIATIONS SEE
ENG.STD. SDES-99000-0003.

REVISE PIN DIM	2011/07/16	2011/07/16
EC. NO. S2012-0325	DRW:SKANG	CHK:DATSEE
	APPR:MLONG	
M2		

QUALITY SYMBOLS	
$\sqrt{\text{R}}=0$	
$\sqrt{\text{E}}=0$	
$\sqrt{\text{D}}=0$	

GENERAL TOLERANCES (UNLESS SPECIFIED)	
	mm
	INCH
4 PLACES	±---
3 PLACES	±---
2 PLACES	±0.05
1 PLACE	±---
ANGULAR ±---°	

DIMENSION STYLE	
MM ONLY	
DRAWN BY	DATE
CHECKED BY	DATE
APPROVED BY	DATE
MATERIAL NO.	DOCUMENT NO.

SCALE	DESIGN UNITS	THIRD ANGLE PROJECTION
NTS	METRIC	
C-GRID III DUAL ROW RIGHT ANGLE HEADER		
MOLEX INCORPORATED		
SHEET NO.	6 OF 6	

DRAFT WHERE APPLICABLE
MUST REMAIN
WITHIN DIMENSIONS

SEE TABLE

SDA-90122

THIS DRAWING CONTAINS INFORMATION THAT IS PROPRIETARY TO MOLEX INCORPORATED AND SHOULD NOT BE USED WITHOUT WRITTEN PERMISSION