

## Excellent Integrated System Limited

Stocking Distributor

Click to view price, real time Inventory, Delivery & Lifecycle Information:

[Grayhill, Inc.](#)  
[30-101](#)

For any questions, you can email us directly:  
[sales@integrated-circuit.com](mailto:sales@integrated-circuit.com)

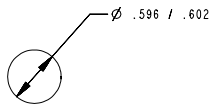
- NOTES:  
 1. CUSTOMER: GRAYHILL STD.  
 2. SWITCH HAS BUTT CONTACT SYSTEM.  
 3. ACTION TYPE: MOMENTARY  
 4. CIRCUITRY: SPST - N.O.

**YYWW**

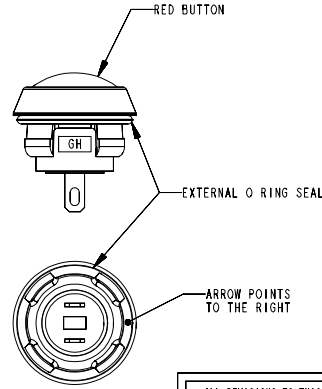
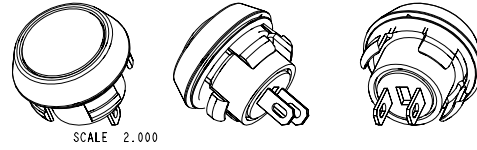
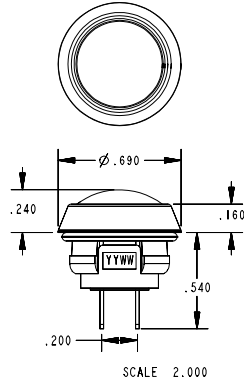
**GH**

**LABEL DETAIL**

SCALE: 5:1  
 LABEL PART NUMBER: SSS1878-14  
 DATE CODE & \*GH\* TO  
 INDICATE MANUFACTURER'S NAME



PANEL THICKNESS WITH \*O\* RING: .098-.106  
 PANEL THICKNESS WITHOUT \*O\* RING: .140-.144



ALL REVISIONS TO THIS DRAWING  
 MUST BE MADE ON THE PRO/E SYSTEM

C	CWS/JOD 1-26-05	ADDED ARROW NOTE. ECN#355542 JTK 1-26-05
B	CWS/PR 6-9-04	ADDED EXTERNAL O RING ECN#352416 JTK 6-9-04
A	CWS/JMT 5-13-04	ORIGINAL JTK ECN#352011 5-11-04
ISSUE	APP/DATE	DESCRIPTION
REVISIONS		
GRAYHILL, INC. 561 HILLGROVE AVE. LA GRANGE, IL 60525 PHONE (708) 354-1040		
UNLESS OTHERWISE SPECIFIED TOLERANCES AND DIMENSIONS ARE IN INCHES		
LINEAR ± .025 DIAMETERS ± .010		
ANGULAR ± 1.0°		
LIMITS APPLY BEFORE FINISHING DO NOT SCALE THIS PRINT		
CRITICAL CHARACTERISTIC FLAGS PER GRAYHILL SPEC. SOP2338		
-- CRITICAL CHARACTERISTIC FLAG		
-- Cpk REQUIRED		
-- S.P.C. FLAG (CONTROL CHART REQ'D ON FEATURE SPECIFIED)		
FINISH	---	APPROVED DATE JMT 4-13-04
MATERIAL	---	CHECKED DATE CWS 4-12-04
NAME	PUSHBUTTON ASSEMBLY	DRAWN DATE JTK 5-11-04
CASE NO.	81073	30-101.DRW
B SIZE	DWG. NO. 30-101	ISSUE C
SCALE	2:1	SHEET   OF

COMPONENT	MATERIAL
BUTTON	RED NYLON - 45% GLASS FILLED
HOUSING	BLACK NYLON - 45% GLASS FILLED
TERMINAL	BRASS - GOLD OVER NICKEL PLATING
SHORTING BAR	BRASS - GOLD OVER NICKEL PLATING
BASE	NYLON - 45% GLASS FILLED
PLUNGER	NYLON - 45% GLASS FILLED
O-RING SEAL	SILICON - 70 DUROMETER
INTERNAL SEAL	SILICON RUBBER
COMPRESSION SPRING	TINNED MUSIC WIRE

MECHANICAL RATINGS	
TRAVEL	.090" NOMINAL
TRAVEL BEFORE MAKE	.035" NOMINAL
CYCLE LIFE	500,000 ELECTRICAL CYCLES
SHOCK	100 G'S / 6 MILLISECONDS
OPERATING TEMP.	-40° C TO +80° C
ACTUATION FORCE	14.5 OZ ± 3 OZ.

ELECTRICAL RATINGS	
RATING AT 24 VDC	150 MILLIAMPS
VOLTAGE BREAKDOWN	1,000 VOLTS
CONTACT RESISTANCE	25 mΩ MAX. (INITIAL)
INSULATION RESISTANCE	1000 MΩ