



**Distributor of Texas Instruments: Excellent Integrated System Limited**

Datasheet of UCD7100PWP - IC DGTL CTRL MOSFET DVR 14HTSSOP

Contact us: [sales@integrated-circuit.com](mailto:sales@integrated-circuit.com) Website: [www.integrated-circuit.com](http://www.integrated-circuit.com)

---

## **Excellent Integrated System Limited**

Stocking Distributor

Click to view price, real time Inventory, Delivery & Lifecycle Information:

[Texas Instruments](#)

[UCD7100PWP](#)

For any questions, you can email us directly:

[sales@integrated-circuit.com](mailto:sales@integrated-circuit.com)

# UCD7100 Digital Control Compatible Single Low-Side $\pm 4$ -A MOSFET Driver with Current Sense

## 1 Features

- Adjustable Current Limit Protection
- 3.3-V, 10-mA Internal Regulator
- DSP/ $\mu$ C Compatible Inputs
- Single  $\pm 4$ -A TrueDrive™ High Current Driver
- 10-ns Typical Rise and Fall Times with 2.2-nF Loads
- 25-ns Input-to-Output Propagation Delay
- 25-ns Current Sense to Output Delay
- Programmable Current Limit Threshold
- Digital Output Current Limit Flag
- 4.5-V to 15-V Supply Voltage Range
- Rated from  $-40^{\circ}\text{C}$  to  $105^{\circ}\text{C}$
- Lead(Pb)-Free Packaging

## 2 Applications

- Digitally Controlled Power Supplies
- DC/DC Converters
- Motor Controllers
- Line Drivers

## 3 Description

The UCD7100 is a member of the UCD7K family of digital control compatible drivers for applications utilizing digital control techniques or applications requiring fast local peak current limit protection.

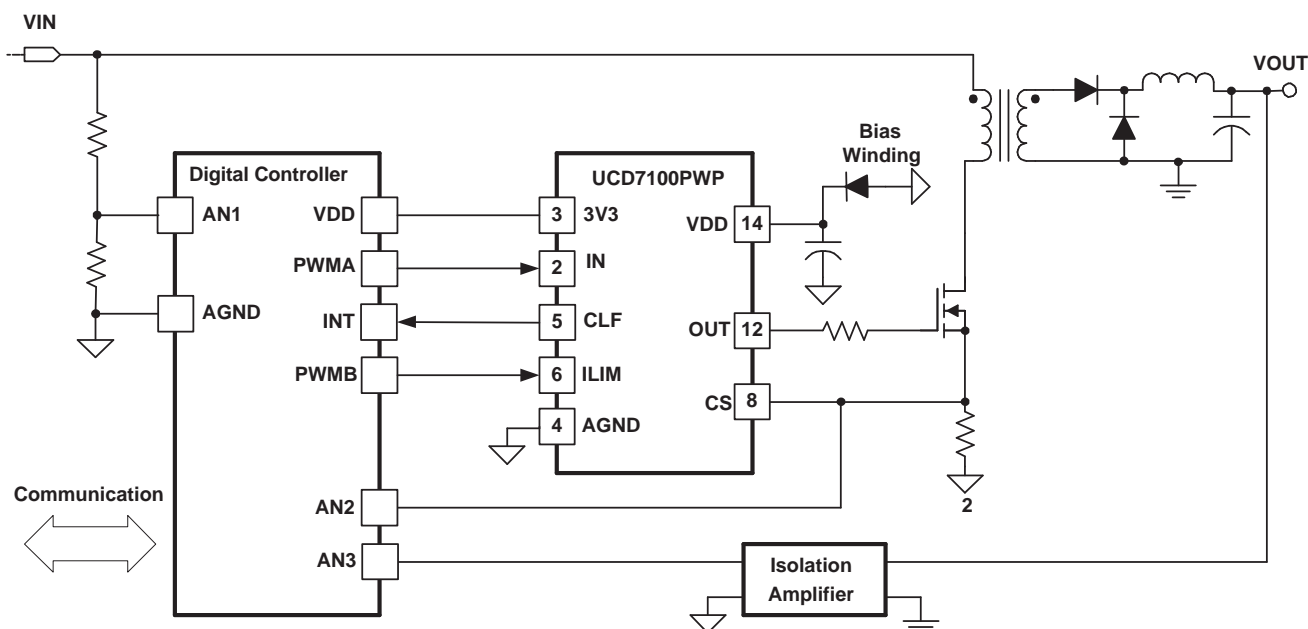
The UCD7100 is a low-side  $\pm 4$ -A high-current MOSFET gate driver. It allows the digital power controllers such as UCD9110 or UCD9501 to interface to the power stage in single ended topologies. It provides a cycle-by-cycle current limit function with programmable threshold and a digital output current limit flag which can be monitored by the host controller. With a fast 25-ns cycle-by-cycle current limit protection, the driver can turn off the power stage in the unlikely event that the digital system can not respond to a failure situation in time.

### Device Information<sup>(1)</sup>

PART NUMBER	PACKAGE	BODY SIZE (NOM)
UCD7100	HTSSOP (14)	5.00 mm x 4.40 mm

(1) For all available packages, see the orderable addendum at the end of the datasheet.

## Simplified Schematic



## UCD7100

SLUS651D – MARCH 2005 – REVISED OCTOBER 2014

www.ti.com

### Table of Contents

<b>1 Features</b> .....	<b>1</b>	<b>9 Application and Implementation</b> .....	<b>14</b>
<b>2 Applications</b> .....	<b>1</b>	9.1 Application Information .....	14
<b>3 Description</b> .....	<b>1</b>	9.2 Typical Application .....	14
<b>4 Revision History</b> .....	<b>2</b>	<b>10 Power Supply Recommendations</b> .....	<b>16</b>
<b>5 Description (continued)</b> .....	<b>3</b>	10.1 Supply .....	16
<b>6 Pin Configuration and Functions</b> .....	<b>3</b>	10.2 Reference / External Bias Supply .....	16
<b>7 Specifications</b> .....	<b>4</b>	<b>11 Layout</b> .....	<b>17</b>
7.1 Absolute Maximum Ratings .....	4	11.1 Layout Guidelines .....	17
7.2 Handling Ratings .....	4	11.2 Layout Example .....	17
7.3 Recommended Operating Conditions .....	4	11.3 Thermal Considerations .....	18
7.4 Thermal Information .....	4	<b>12 Device and Documentation Support</b> .....	<b>19</b>
7.5 Electrical Characteristics .....	5	12.1 Device Support .....	19
7.6 Typical Characteristics .....	7	12.2 Documentation Support .....	19
<b>8 Detailed Description</b> .....	<b>10</b>	12.3 Trademarks .....	19
8.1 Overview .....	10	12.4 Electrostatic Discharge Caution .....	19
8.2 Functional Block Diagram .....	10	12.5 Glossary .....	19
8.3 Feature Description .....	10	<b>13 Mechanical, Packaging, and Orderable Information</b> .....	<b>20</b>
8.4 Device Functional Modes .....	13		

## 4 Revision History

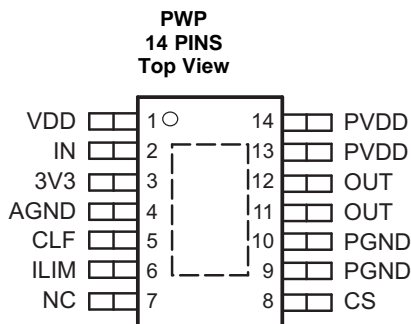
DATE	REVISION	CHANGE DESCRIPTION
March 2005	SLUS651	Initial release
April 2009	SLUS651B	Removed QFN package option and all references.
May 2010	SLUS651C	Removed part numbers, UCD7500, UCD7600, UCD7601 and UCD9501 from Related Products Section.
October 2014	SLUS651D	Added Handling Rating table, Feature Description section, Device Functional Modes, Application and Implementation section, Power Supply Recommendations section, Layout section, Device and Documentation Support section, and Mechanical, Packaging, and Orderable Information section.

## 5 Description (continued)

For fast switching speeds, the UCD7100 output stage uses the TrueDrive™ output architecture, which delivers rated current of ±4 A into the gate of a MOSFET during the Miller plateau region of the switching transition. It also includes a 3.3-V, 10-mA linear regulator to provide power to the digital controller.

The UCD7000 driver family is compatible with standard 3.3-V I/O ports of DSPs, Microcontrollers, or ASICs. UCD7100 is offered in aPowerPAD™ HTSSOP-14.

## 6 Pin Configuration and Functions



NC – No internal connection

### Pin Functions

UCD7100		PIN NAME	I/O	FUNCTION
HTSSOP -14 PIN #	DFN-14 PIN #			
1	1	VDD	I	Supply input pin to power the driver. The UCD7K devices accept an input range of 4.25 V to 15 V. Bypass the pin with at least 4.7 μF of capacitance.
2	2	IN	I	The IN pin is a high impedance digital input capable of accepting 3.3-V logic level signals up to 2 MHz. There is an internal Schmitt trigger comparator which isolates the internal circuitry from any external noise.
3	3	3V3	O	Regulated 3.3-V rail. The onboard linear voltage regulator is capable of sourcing up to 10 mA of current. Place 0.22-μF of ceramic capacitance from the pin to ground.
4	4	AGND	-	Analog ground return.
5	5	CLF	O	Current limit flag. When the CS level is greater than the ILIM voltage minus 25 mV, the output of the driver is forced low and the current limit flag (CLF) is set high. The CLF signal is latched high until the UCD7K device receives the next rising edge on the IN pin.
6	6	ILIM	I	Current limit threshold set pin. The current limit threshold can be set to any value between 0.25 V and 1.0 V.
7	7	NC	-	No Connection.
8	8	CS	I	Current sense pin. Fast current limit comparator connected to the CS pin is used to protect the power stage by implementing cycle-by-cycle current limiting.
9	9	PGND	-	Power ground return. Connect the two PGNDs together. These ground pins should be connected very closely to the source of the power MOSFET.
10	10	PGND	-	Power ground return. Connect the two PGNDs together. These ground pins should be connected very closely to the source of the power MOSFET.
11	11	OUT	O	The high-current TrueDrive™ driver output. Connect the two OUT pins together.
12	12	OUT	O	The high-current TrueDrive™ driver output. Connect the two OUT pins together.
13	13	PVDD	I	Supply pin provides power for the output drivers. It is not connected internally to the VDD supply rail. Connect the two PVDD pins together.
14	14	PVDD	I	Supply pin provides power for the output drivers. It is not connected internally to the VDD supply rail. Connect the two PVDD pins together.

## UCD7100

SLUS651D – MARCH 2005 – REVISED OCTOBER 2014

www.ti.com

## 7 Specifications

### 7.1 Absolute Maximum Ratings<sup>(1) (2)</sup>

			MIN	MAX	UNIT
V <sub>DD</sub>	Supply Voltage			16	
I <sub>DD</sub>	Supply Current	Quiescent		20	mA
		Switching, T <sub>A</sub> = 25°C, T <sub>J</sub> = 125°C, V <sub>DD</sub> = 12 V		200	
V <sub>OUT</sub>	Output Gate Drive Voltage	OUT	-1 V	V <sub>DD</sub>	V
I <sub>OUT(sink)</sub>	Output Gate Drive Current	OUT		4.0	A
I <sub>OUT(source)</sub>				-4.0	
	Analog Input	ISET, CS	-0.3	3.6	V
		ILIM	-0.3	3.6	
	Digital I/O's	IN, CLF	-0.3	3.6	
	Power Dissipation	T <sub>A</sub> = 25°C, T <sub>J</sub> = 125°C, (PWP-14)		2.67	W
T <sub>J</sub>	Junction Operating Temperature		-55	150	°C
T <sub>SOL</sub>	Lead Temperature (Soldering, 10 sec)			+300	°C

- (1) Stresses beyond those listed under “absolute maximum ratings” may cause permanent damage to the device. These are stress ratings only, and functional operation of the device at these or any other conditions beyond those indicated under “recommended operating conditions” is not implied. Exposure to absolute-maximum-rated conditions for extended periods may affect device reliability.
- (2) All voltages are with respect to GND. Currents are positive into, negative out of the specified terminal.

### 7.2 Handling Ratings

			MIN	MAX	UNIT
T <sub>stg</sub>	Storage temperature range		-65	150	°C
V <sub>(ESD)</sub>	Electrostatic discharge	Human body model (HBM), per ANSI/ESDA/JEDEC JS-001, all pins <sup>(1)</sup>		2000	V
		Charged device model (CDM), per JEDEC specification JESD22-C101, all pins <sup>(2)</sup>		500	

- (1) JEDEC document JEP155 states that 500-V HBM allows safe manufacturing with a standard ESD control process.
- (2) JEDEC document JEP157 states that 250-V CDM allows safe manufacturing with a standard ESD control process.

### 7.3 Recommended Operating Conditions

		MIN	TYP	MAX	UNIT
	Supply Voltage, V <sub>DD</sub>	4.25	12	14.5	V
	Supply bypass capacitance	1			μF
	Reference bypass capacitance	0.22			
	Operating junction temperature	-40		105	°C

### 7.4 Thermal Information

THERMAL METRIC <sup>(1)</sup>		UCD7100	UNIT
		HTSSOP	
		14 PINS	
R <sub>θJA</sub>	Junction-to-ambient thermal resistance	44.3	°C/W
R <sub>θJC(top)</sub>	Junction-to-case (top) thermal resistance	35.3	
R <sub>θJB</sub>	Junction-to-board thermal resistance	29.6	
ψ <sub>JT</sub>	Junction-to-top characterization parameter	1.5	
ψ <sub>JB</sub>	Junction-to-board characterization parameter	29.3	
R <sub>θJC(bot)</sub>	Junction-to-case (bottom) thermal resistance	4.7	

- (1) For more information about traditional and new thermal metrics, see the *IC Package Thermal Metrics* application report, [SPRA953](#).

## 7.5 Electrical Characteristics

$V_{DD} = 12\text{ V}$ , 4.7- $\mu\text{F}$  capacitor from  $V_{DD}$  to GND,  $T_A = T_J = -40^\circ\text{C}$  to  $105^\circ\text{C}$ , (unless otherwise noted).

PARAMETER	TEST CONDITIONS	MIN	TYP	MAX	UNIT
<b>SUPPLY SECTION</b>					
Supply current, OFF	$V_{DD} = 4.2\text{ V}$		200	400	$\mu\text{A}$
Supply current	Outputs not switching IN = LOW		1.5	2.5	mA
<b>LOW VOLTAGE UNDER-VOLTAGE LOCKOUT</b>					
VDD UVLO ON		4.25	4.5	4.75	V
VDD UVLO OFF		4.05	4.25	4.45	
VDD UVLO hysteresis		150	250	350	mV
<b>REFERENCE / EXTERNAL BIAS SUPPLY</b>					
3V3 initial set point	$T_A = 25^\circ\text{C}$	3.267	3.3	3.333	V
3V3 over temperature		3.234	3.3	3.366	
3V3 load regulation	$I_{LOAD} = 1\text{ mA to }10\text{ mA}$ , $V_{DD} = 5\text{ V}$		1	6.6	mV
3V3 line regulation	$V_{DD} = 4.75\text{ V to }12\text{ V}$ , $I_{LOAD} = 10\text{ mA}$		1	6.6	
Short circuit current	$V_{DD} = 4.75\text{ to }12\text{ V}$	11	20	35	mA
3V3 OK threshold, ON	3.3 V rising	2.9	3.0	3.1	V
3V3 OK threshold, OFF	3.3 V falling	2.7	2.8	2.9	
<b>INPUT SIGNAL</b>					
HIGH, positive-going input threshold voltage (VIT+)		1.65		2.08	V
LOW negative-going input threshold voltage (VIT-)		1.16		1.5	
Input voltage hysteresis, (VIT+ - VIT-)		0.6		0.8	
Frequency				2	MHz
<b>CURRENT LIMIT (ILIM)</b>					
ILIM internal current limit threshold	ILIM = OPEN	0.466	0.50	0.536	V
ILIM maximum current limit threshold	$I_{LIM} = 3.3\text{ V}$	0.975	1.025	1.075	V
ILIM current limit threshold	$I_{LIM} = 0.75\text{ V}$	0.700	0.725	0.750	
ILIM minimum current limit threshold	$I_{LIM} = 0.25\text{ V}$	0.21	0.23	0.25	mV
CLF output high level	$CS > I_{LIM}$ , $I_{LOAD} = -7\text{ mA}$	2.64			V
CLF output low level	$CS \leq I_{LIM}$ , $I_{LOAD} = 7\text{ mA}$			0.66	
Propagation delay from IN to CLF	IN rising to CLF falling after a current limit event		10	20	ns
<b>CURRENT SENSE COMPARATOR</b>					
Bias voltage	Includes CS comp offset	5	25	50	mV
Input bias current			-1		$\mu\text{A}$
Propagation delay from CS to OUTx	$I_{LIM} = 0.5\text{ V}$ , measured on OUTx, CS = threshold + 60 mV		25	40	ns
Propagation delay from CS to CLF	$I_{LIM} = 0.5\text{ V}$ , measured on CLF, CS = threshold + 60 mV		25	50	
<b>CURRENT SENSE DISCHARGE TRANSISTOR</b>					
Discharge resistance	IN = low, resistance from CS to AGND	10	35	75	$\Omega$
<b>OUTPUT DRIVERS</b>					
Source current <sup>(1)</sup>	$V_{DD} = 12\text{ V}$ , IN = high, OUT = 5 V		4		A
Sink current <sup>(1)</sup>	$V_{DD} = 12\text{ V}$ , IN = low, OUT = 5 V		4		
Source current <sup>(1)</sup>	$V_{DD} = 4.75\text{ V}$ , IN = high, OUT = 0		2		
Sink current <sup>(1)</sup>	$V_{DD} = 4.75\text{ V}$ , IN = low, OUT = 4.75 V		3		
Rise time, $t_R$ <sup>(1)</sup>	$C_{LOAD} = 2.2\text{ nF}$ , $V_{DD} = 12\text{ V}$		10	20	ns
Fall time, $t_F$ <sup>(1)</sup>	$C_{LOAD} = 2.2\text{ nF}$ , $V_{DD} = 12\text{ V}$		10	15	
Output with $V_{DD} < UVLO$	$V_{DD} = 1.0\text{ V}$ , $I_{SINK} = 10\text{ mA}$		0.8	1.2	V

(1) Ensured by design. Not 100% tested in production.

**UCD7100**

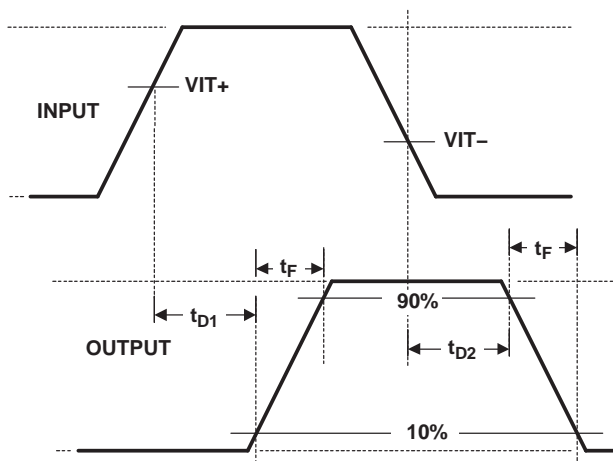
SLUS651D – MARCH 2005 – REVISED OCTOBER 2014

www.ti.com

**Electrical Characteristics (continued)**

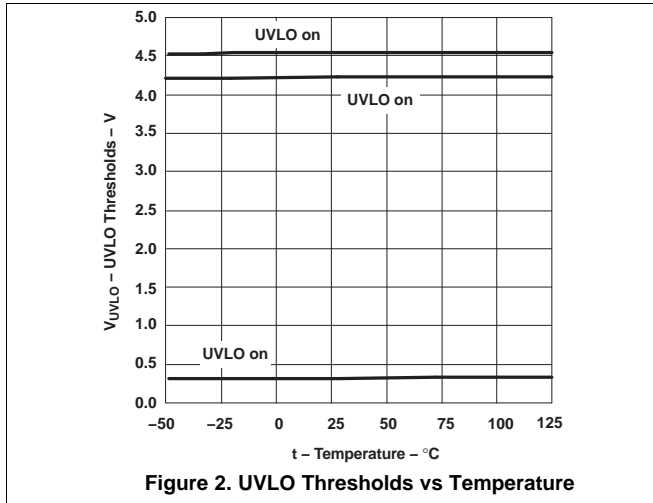
$V_{DD} = 12\text{ V}$ ,  $4.7\text{-}\mu\text{F}$  capacitor from  $V_{DD}$  to GND,  $T_A = T_J = -40^\circ\text{C}$  to  $105^\circ\text{C}$ , (unless otherwise noted).

PARAMETER	TEST CONDITIONS	MIN	TYP	MAX	UNIT
Propagation delay from IN to OUTx, $t_{D1}$	$C_{LOAD} = 2.2\text{ nF}$ , $V_{DD} = 12\text{ V}$ , CLK rising		20	35	ns

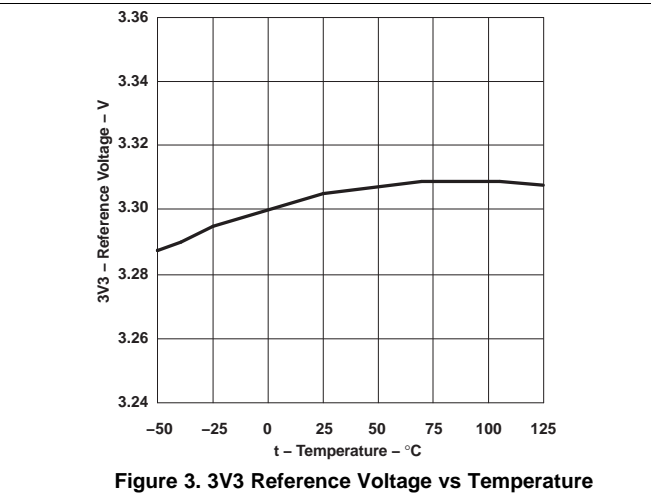


**Figure 1. Timing Diagram**

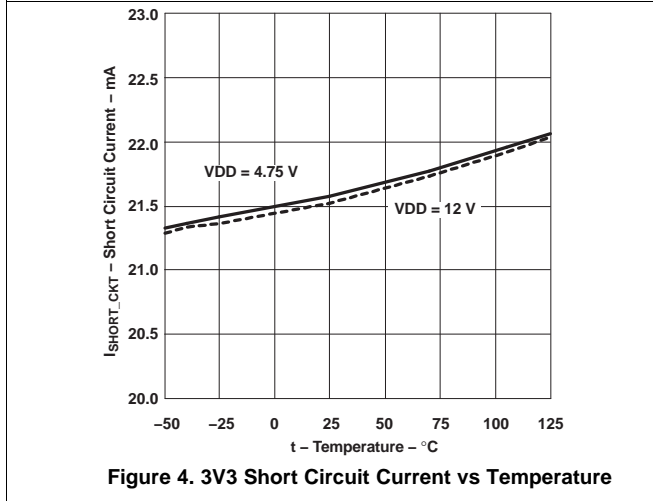
**7.6 Typical Characteristics**



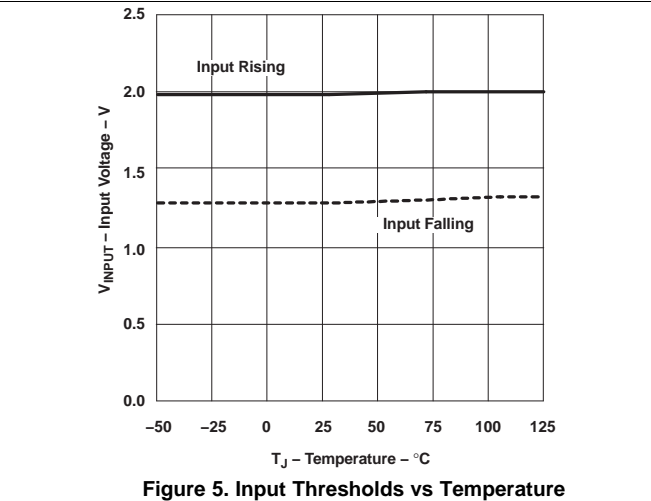
**Figure 2. UVLO Thresholds vs Temperature**



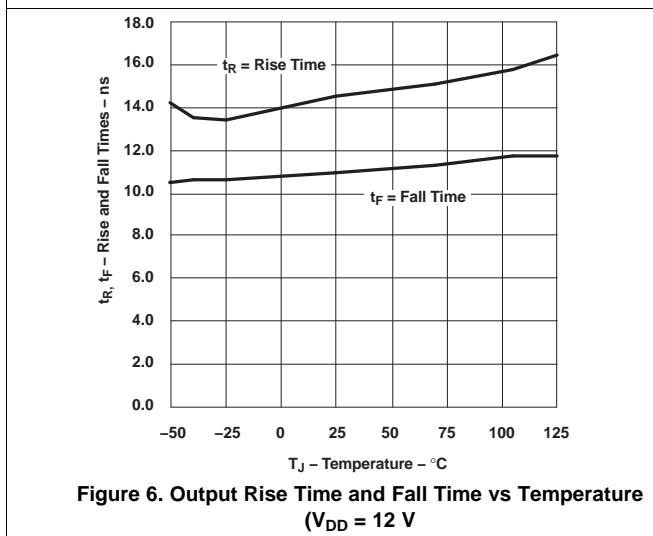
**Figure 3. 3V3 Reference Voltage vs Temperature**



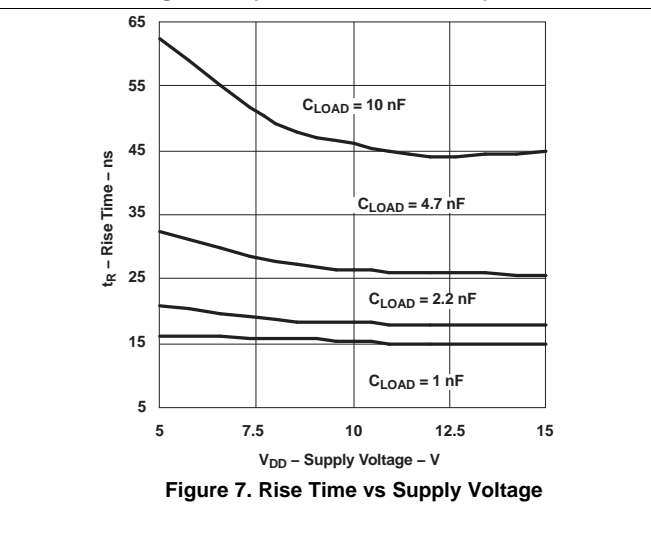
**Figure 4. 3V3 Short Circuit Current vs Temperature**



**Figure 5. Input Thresholds vs Temperature**



**Figure 6. Output Rise Time and Fall Time vs Temperature (V<sub>DD</sub> = 12 V)**



**Figure 7. Rise Time vs Supply Voltage**

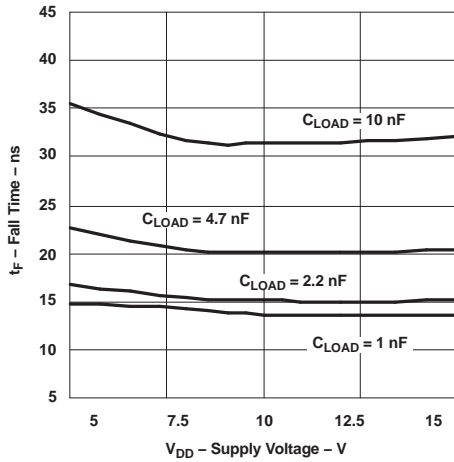


**UCD7100**

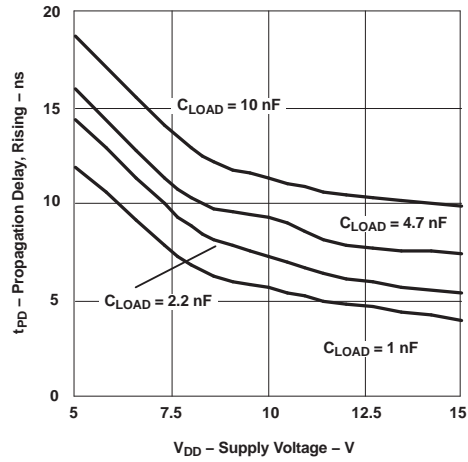
SLUS651D – MARCH 2005 – REVISED OCTOBER 2014

www.ti.com

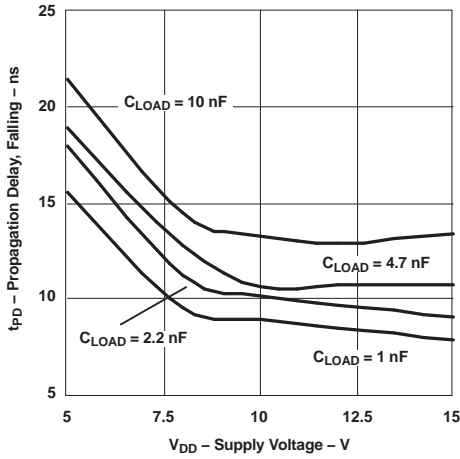
**Typical Characteristics (continued)**



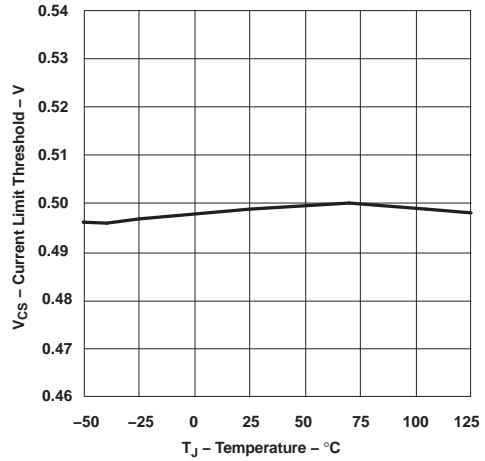
**Figure 8. Fall Time vs Supply Voltage**



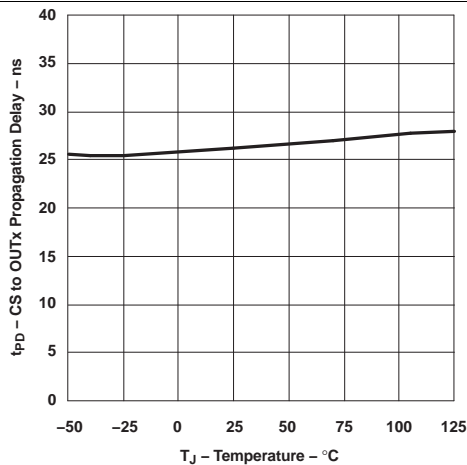
**Figure 9. Propagation Delay Rising vs Supply Voltage**



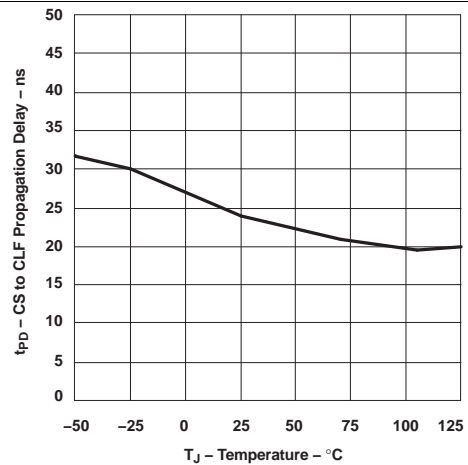
**Figure 10. Propagation Delay Falling vs Supply Voltage**



**Figure 11. Default Current Limit Threshold vs Temperature**

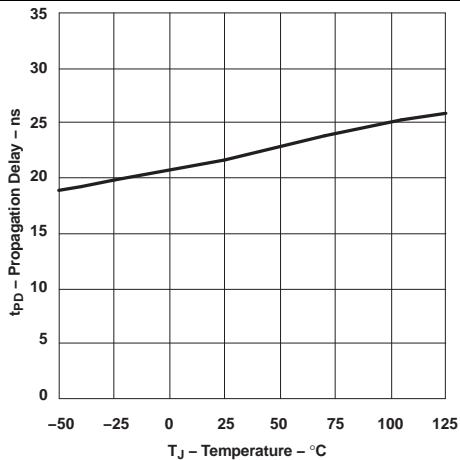


**Figure 12. CS to OUTx Propagation Delay vs Temperature**

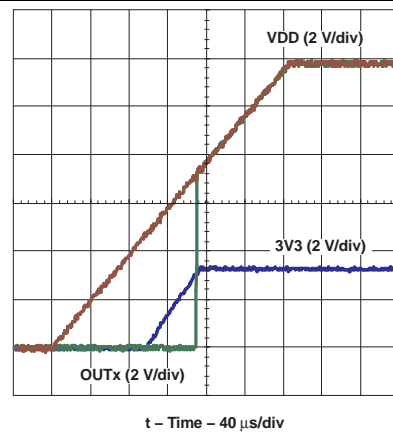


**Figure 13. CS to CLF Propagation Delay vs Temperature**

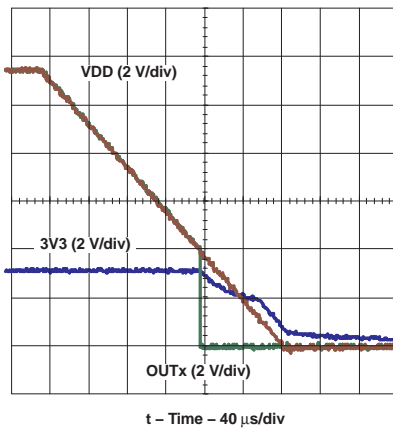
**Typical Characteristics (continued)**



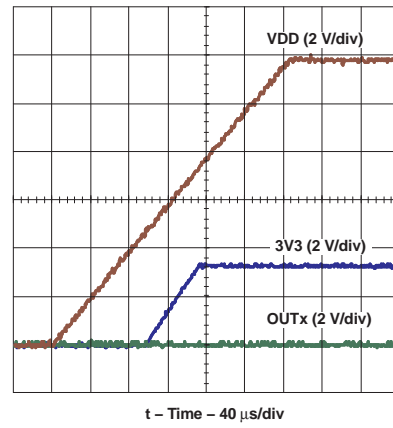
**Figure 14. IN to OUT Propagation Delay vs Temperature**



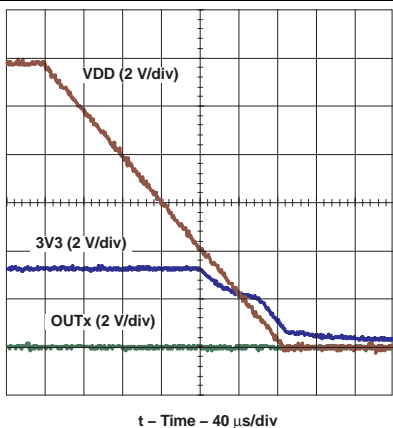
**Figure 15. Start-up Behavior at  $V_{DD} = 12\text{ V}$  (Input Tied to 3V3)**



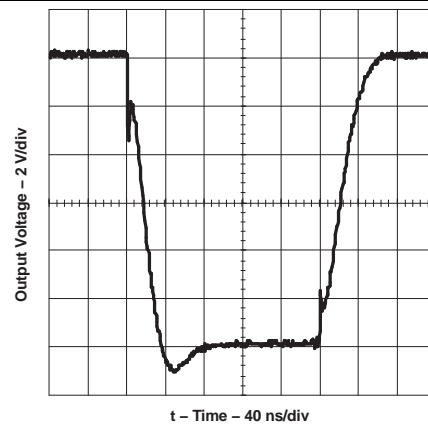
**Figure 16. Shut Down Behavior at  $V_{DD} = 12\text{ V}$  (Input Tied to 3V3)**



**Figure 17. Start-up Behavior at  $V_{DD} = 12\text{ V}$  (Input Shortened to GND)**



**Figure 18. Shut Down Behavior at  $V_{DD} = 12\text{ V}$  (Input Shortened to GND)**



**Figure 19. Output Rise and Fall Time ( $V_{DD} = 12\text{ V}$ ,  $C_{LOAD} = 10\text{ nF}$ )**

## UCD7100

SLUS651D – MARCH 2005 – REVISED OCTOBER 2014

www.ti.com

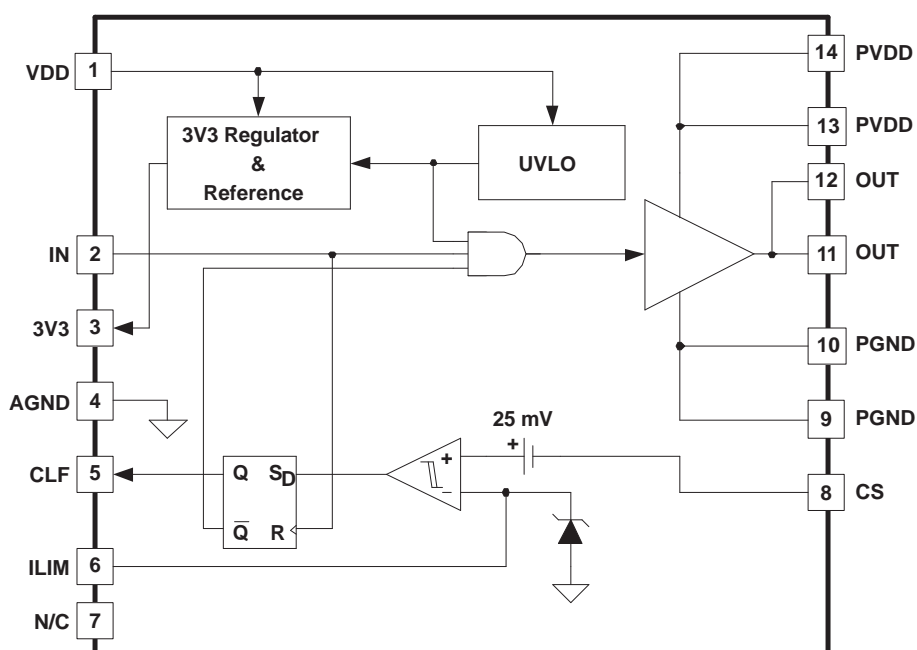
## 8 Detailed Description

### 8.1 Overview

The UCD7100 is a member of the UCD7K family of digital control compatible drivers for applications utilizing digital control techniques, or applications requiring fast local peak current limit protection.

The UCD7100 is a low-side  $\pm 4$ -A high-current MOSFET gate driver. The UCD7100 allows digital power controllers such as the UCD9110 or UCD9501 to interface to the power stage in single-ended topologies. It provides a cycle-by-cycle current limit function with programmable threshold and a digital output current limit flag, which can be monitored by the host controller. With a fast 25-ns cycle-by-cycle current limit protection, the driver can turn off the power stage in the unlikely event that the digital system cannot respond to a failure situation in time.

### 8.2 Functional Block Diagram



### 8.3 Feature Description

#### 8.3.1 Input

The IN pin is a high impedance digital input capable of accepting 3.3-V logic level signals up to 2 MHz. There is an internal Schmitt Trigger comparator which isolates the internal circuitry from any external noise.

If limiting the rise or fall times to the power device is desired, then an external resistance can be added between the output of the driver and the load device, which is generally a power MOSFET gate. The external resistor may also help remove power dissipation from the package.

#### 8.3.2 Current Sensing and Protection

A very fast current limit comparator connected to the CS pin is used to protect the power stage by implementing cycle-by-cycle current limiting.

The current limit threshold is equal to the lesser of the positive inputs at the current limit comparator. The current limit threshold can be set to any value between 0.25 V and 1.0 V by applying the desired threshold voltage to the current limit (ILIM) pin. When the CS level is greater than the ILIM voltage minus 25 mV, the output of the driver is forced low and the current limit flag (CLF) is set high. The CLF signal is latched high until the UCD7K device receives the next rising edge on the IN pin.

## Feature Description (continued)

When the CS voltage is below ILIM, the driver output will follow the PWM input. The CLF digital output flag can be monitored by the host controller to determine when a current limit event occurs and to then apply the appropriate algorithm to obtain the desired current limit profile.

One of the main benefits of this local protection feature is that the UCD7K devices can protect the power stage if the software code in the digital controller becomes corrupted and hangs up. If the controller's PWM output stays high, the local current sense circuit will turn off the driver output when an over-current condition occurs. The system would likely go into a retry mode because; most DSP and microcontrollers have on-board watchdog, brown-out, and other supervisory peripherals to restart the device in the event that it is not operating properly. But these peripherals typically do not react fast enough to save the power stage. The UCD7K's local current limit comparator provides the required fast protection for the power stage.

The CS threshold is 25 mV below the ILIM voltage. This way, if the user attempts to command zero current ( $I_{LIM} < 25 \text{ mV}$ ) while the CS pin is at ground, for example at start-up, the CLF flag latches high until the IN pin receives a pulse. At start-up it is necessary to ensure that the ILIM pin always greater than the CS pin for the handshaking to work as described below. If for any reason the CS pin comes to within 25 mV of the ILIM pin during start-up, then the CLF flag is latched high and the digital controller must poll the UCD7K device, by sending it a narrow IN pulse. If the fault condition is not present the IN pulse resets the CLF signal to low indicating that the UCD7K device is ready to process power pulses.

### 8.3.3 Handshaking

The UCD7K family of devices have a built-in handshaking feature to facilitate efficient start-up of the digitally controlled power supply. At start-up the CLF flag is held high until all the internal and external supply voltages of the UCD7K device are within their operating range. Once the supply voltages are within acceptable limits, the CLF goes low and the device will process input drive signals. The micro-controller should monitor the CLF flag at start-up and wait for the CLF flag to go LOW before sending power pulses to the UCD7K device.

### 8.3.4 Driver Output

The high-current output stage of the UCD7K device family is capable of supplying  $\pm 4\text{-A}$  peak current pulses and swings to both VDD and GND. The driver outputs follows the state of the IN pin provided that the VDD and 3V3 voltages are above their respective under-voltage lockout threshold.

The drive output utilizes Texas Instruments' TrueDrive™ architecture, which delivers rated current into the gate of a MOSFET when it is most needed during the Miller plateau region of the switching transition providing efficiency gains.

TrueDrive™ consists of pullup/ pulldown circuits using bipolar and MOSFET transistors in parallel. The peak output current rating is the combined current from the bipolar and MOSFET transistors. The output resistance is the  $R_{DS(on)}$  of the MOSFET transistor when the voltage on the driver output is less than the saturation voltage of the bipolar transistor. This hybrid output stage also allows efficient current sourcing at low supply voltages.

Each output stage also provides a very low impedance to overshoot and undershoot due to the body diode of the external MOSFET. This means that in many cases, external-schottky-clamp diodes are not required.

### 8.3.5 Source/Sink Capabilities During Miller Plateau

Large power MOSFETs present a large load to the control circuitry. Proper drive is required for efficient, reliable operation. The UCD7K drivers have been optimized to provide maximum drive to a power MOSFET during the Miller plateau region of the switching transition. This interval occurs while the drain voltage is swinging between the voltage levels dictated by the power topology, requiring the charging/discharging of the drain-gate capacitance with current supplied or removed by the driver device. See Reference [1]

### 8.3.6 Drive Current and Power Requirements

The UCD7K family of drivers can deliver high current into a MOSFET gate for a period of several hundred nanoseconds. High peak current is required to turn the device ON quickly. Then, to turn the device OFF, the driver is required to sink a similar amount of current to ground. This repeats at the operating frequency of the power device. A MOSFET is used in this discussion because it is the most common type of switching device used in high frequency power conversion equipment.

**UCD7100**

SLUS651D – MARCH 2005 – REVISED OCTOBER 2014

[www.ti.com](http://www.ti.com)
**Feature Description (continued)**

Reference [1] discusses the current required to drive a power MOSFET and other capacitive-input switching devices.

When a driver device is tested with a discrete, capacitive load it is a fairly simple matter to calculate the power that is required from the bias supply. The energy that must be transferred from the bias supply to charge the capacitor is given by:

$$E = \frac{1}{2} \times CV^2 \quad (1)$$

where C is the load capacitor and V is the bias voltage feeding the driver.

There is an equal amount of energy transferred to ground when the capacitor is discharged. This leads to a power loss given by the following:

$$P = \frac{1}{2} \times CV^2 \times f \quad (2)$$

where f is the switching frequency.

This power is dissipated in the resistive elements of the circuit. Thus, with no external resistor between the driver and gate, this power is dissipated inside the driver. Half of the total power is dissipated when the capacitor is charged, and the other half is dissipated when the capacitor is discharged. An actual example using the conditions of the previous gate drive waveform should help clarify this.

With  $V_{DD} = 12\text{ V}$ ,  $C_{LOAD} = 10\text{ nF}$ , and  $f = 300\text{ kHz}$ , the power loss can be calculated as:

$$P = 10\text{ nF} \times 12^2 \times 300\text{ kHz} = 0.432\text{ W} \quad (3)$$

With a 12-V supply, this would equate to a current of:

$$I = \frac{P}{V} = \frac{0.432\text{ W}}{12\text{ V}} = 0.036\text{ A} \quad (4)$$

The actual current measured from the supply was 0.037 A, and is very close to the predicted value. But, the  $I_{DD}$  current that is due to the device internal consumption should be considered. With no load the device current drawn is 0.0027 A. Under this condition the output rise and fall times are faster than with a load. This could lead to an almost insignificant, yet measurable current due to cross-conduction in the output stages of the driver. However, these small current differences are buried in the high frequency switching spikes, and are beyond the measurement capabilities of a basic lab setup. The measured current with 10-nF load is close to the value expected.

The switching load presented by a power MOSFET can be converted to an equivalent capacitance by examining the gate charge required to switch the device. This gate charge includes the effects of the input capacitance plus the added charge needed to swing the drain of the device between the ON and OFF states. Most manufacturers provide specifications that provide the typical and maximum gate charge, in nC, to switch the device under specified conditions. Using the gate charge  $Q_G$ , one can determine the power that must be dissipated when charging a capacitor. This is done by using the equivalence  $Q_G = C_{EFF} \times V$  to provide the following equation for power:

$$P = C \times V^2 \times f = Q_G \times V \times f \quad (5)$$

This equation allows a power designer to calculate the bias power required to drive a specific MOSFET gate at a specific bias voltage.

---

**NOTE**

The 10% and 90% thresholds depict the dynamics of the bipolar output devices that dominate the power MOSFET transition through the Miller regions of operation.

---

## 8.4 Device Functional Modes

### 8.4.1 Operation with $V_{DD} < 4.25$ V (minimum $V_{DD}$ )

The devices operate with  $V_{DD}$  voltages above 4.75 V. The maximum UVLO voltage is 4.75 V, and operates at  $V_{DD}$  voltages above 4.75 V. The typical UVLO voltage is 4.5 V. The minimum UVLO voltage is 4.25 V. At  $V_{DD}$  below the actual UVLO voltage, the devices do not operate, and OUT remains low.

### 8.4.2 Operation with IN Pin Open

If the IN pin is disconnected (open), a 100 k $\Omega$  internal resistor connects IN to GND to prevent unpredictable operation due to a floating IN pin, and OUT remains low.

### 8.4.3 Operation with ILIM Pin Open

If the ILIM pin is disconnected (open), the current limit threshold is set at 0.5 V.

### 8.4.4 Operation with ILIM Pin High

If the signal on ILIM pin is higher than 1 V, the current limit threshold is clamped at 1 V.

**UCD7100**

SLUS651D – MARCH 2005 – REVISED OCTOBER 2014

www.ti.com

**9 Application and Implementation**

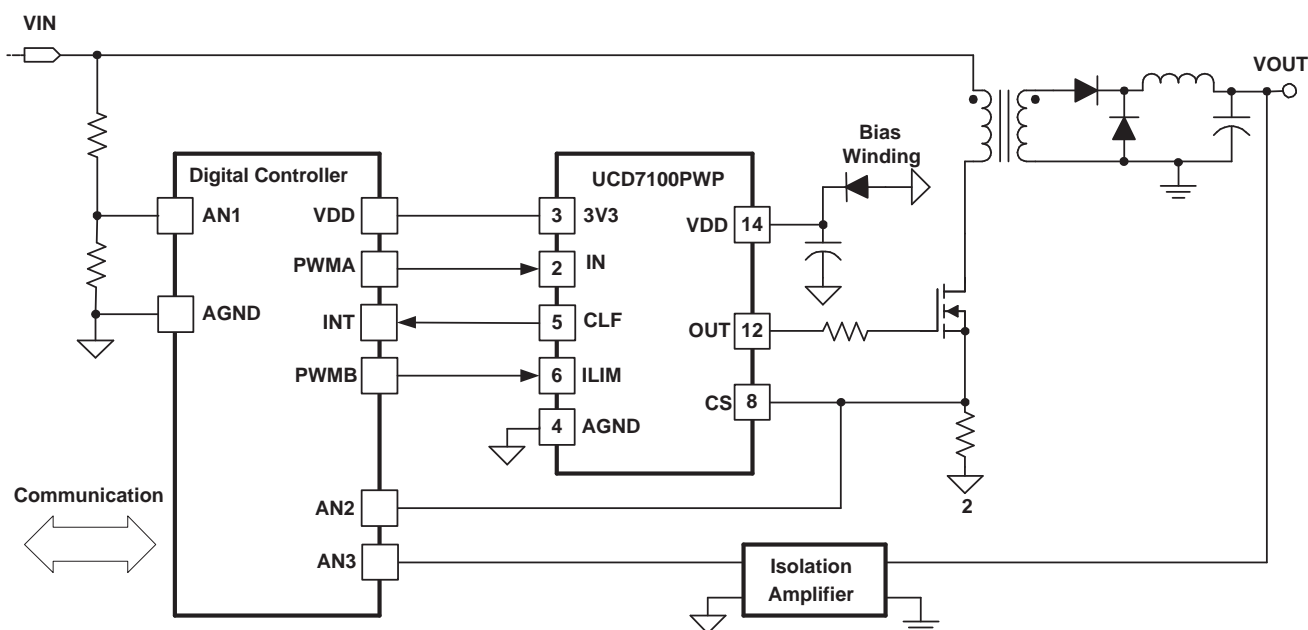
**NOTE**

Information in the following applications sections is not part of the TI component specification, and TI does not warrant its accuracy or completeness. TI's customers are responsible for determining suitability of components for their purposes. Customers should validate and test their design implementation to confirm system functionality.

**9.1 Application Information**

The UCD7100 is part of a family of digital compatible drivers targeting applications utilizing digital control techniques or applications that require local fast peak current limit protection.

**9.2 Typical Application**



**Figure 20. Typical Application**

**9.2.1 Design Requirements**

In this design example, the UCD7100 is used to drive a forward converter which is controlled by a digital controller. The switching frequency is 100 KHz, and the input current cycle-by-cycle protection threshold is set at 5 A.

## Typical Application (continued)

### 9.2.2 Detailed Design Procedure

The cycle-by-cycle current protection is implemented by connecting the current sense signal to the CS pin. When the CS level is greater than the ILIM voltage minus 25 mV, the output of the driver is forced low and the current limit flag (CLF) is set high. The CLF signal is latched high until the UCD7K device receives the next rising edge on the IN pin.

$$I_{peak} * R_{sense} = V_{ILIM} - 0.025 \tag{6}$$

$$R_{sense} = \frac{V_{ILIM} - 0.025}{I_{peak}} \tag{7}$$

The current limit threshold can be set to any value between 0.25 V and 1.0 V, so  $R_{sense}$  must be between 0.045  $\Omega$  and 0.195  $\Omega$ . For example, if  $R_{sense}$  is 0.15  $\Omega$ , then  $V_{ILIM}$  must be 0.775 V to protect input current at 5 A. If the digital controller has an internal digital-to-analog converter, then it can generate 0.775 V and connect to ILIM directly. For a digital controller without an internal digital-to-analog converter, it can generate a PWM signal, send the PWM signal through a low pass filter, then connect to the ILIM pin. Assuming the magnitude of the PWM pulse is 3.3 V, then the duty cycle is:

$$D = \frac{0.775}{3.3} \tag{8}$$

### 9.2.3 Application Curve

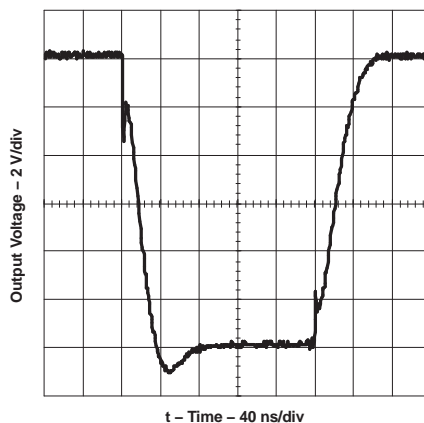


Figure 21. Output Rise and Fall Time ( $V_{DD} = 12\text{ V}$ ,  $C_{LOAD} = 10\text{ NF}$ )



**UCD7100**

SLUS651D – MARCH 2005 – REVISED OCTOBER 2014

[www.ti.com](http://www.ti.com)

## 10 Power Supply Recommendations

### 10.1 Supply

The UCD7K devices accept an input range of 4.5 V to 15 V. The device has an internal precision linear regulator that produces the 3V3 output from this VDD input. A separate pin, PVDD, not connected internally to the VDD supply rail provides power for the output drivers. In all applications the same bus voltage supplies the two pins. It is recommended that a low value of resistance be placed between the two pins so that the local capacitance on each pin forms low pass filters to attenuate any switching noise that may be on the bus.

Although quiescent VDD current is low, total supply current will be higher, depending on the gate drive output current required by the switching frequency. Total VDD current is the sum of quiescent VDD current and the average OUT current. Knowing the operating frequency and the MOSFET gate charge (Q<sub>G</sub>), average OUT current can be calculated from:

$I_{OUT} = Q_G \times f$ , where f is frequency.

For high-speed circuit performance, a VDD bypass capacitor is recommended to prevent noise problems. A 4.7-μF ceramic capacitor should be located close to the VDD to ground connection. A larger capacitor with relatively low ESR should be connected to the PVDD pin, to help deliver the high current peaks to the load. The capacitors should present a low impedance characteristic for the expected current levels in the driver application. The use of surface mount components for all bypass capacitors is highly recommended.

### 10.2 Reference / External Bias Supply

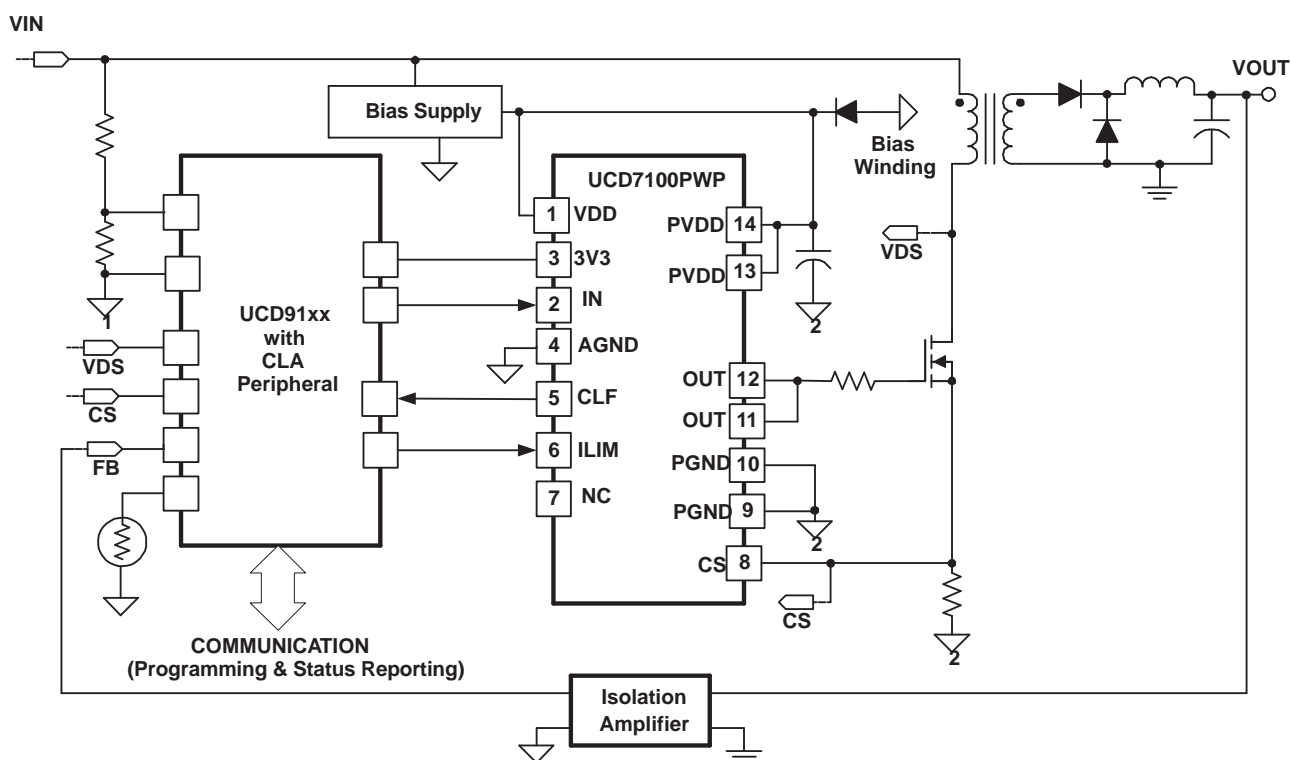
All devices in the UCD7K family are capable of supplying a regulated 3.3-V rail to power various types of external loads such as a microcontroller or an ASIC. The onboard linear voltage regulator is capable of sourcing up to 10 mA of current. For normal operation, place a minimum of 0.22 μF of ceramic capacitance from the reference pin to ground.

## 11 Layout

### 11.1 Layout Guidelines

In a power driver operating at high frequency, it is a significant challenge to get clean waveforms without much overshoot/undershoot and ringing. The low output impedance of these drivers produces waveforms with high di/dt. This tends to induce ringing in the parasitic inductances. Utmost care must be used in the circuit layout. It is advantageous to connect the driver IC as close as possible to the leads. The driver device layout has the analog ground on the opposite side of the output, so the ground should be connected to the bypass capacitors and the load with copper trace as wide as possible. These connections should also be made with a small enclosed loop area to minimize the inductance.

### 11.2 Layout Example

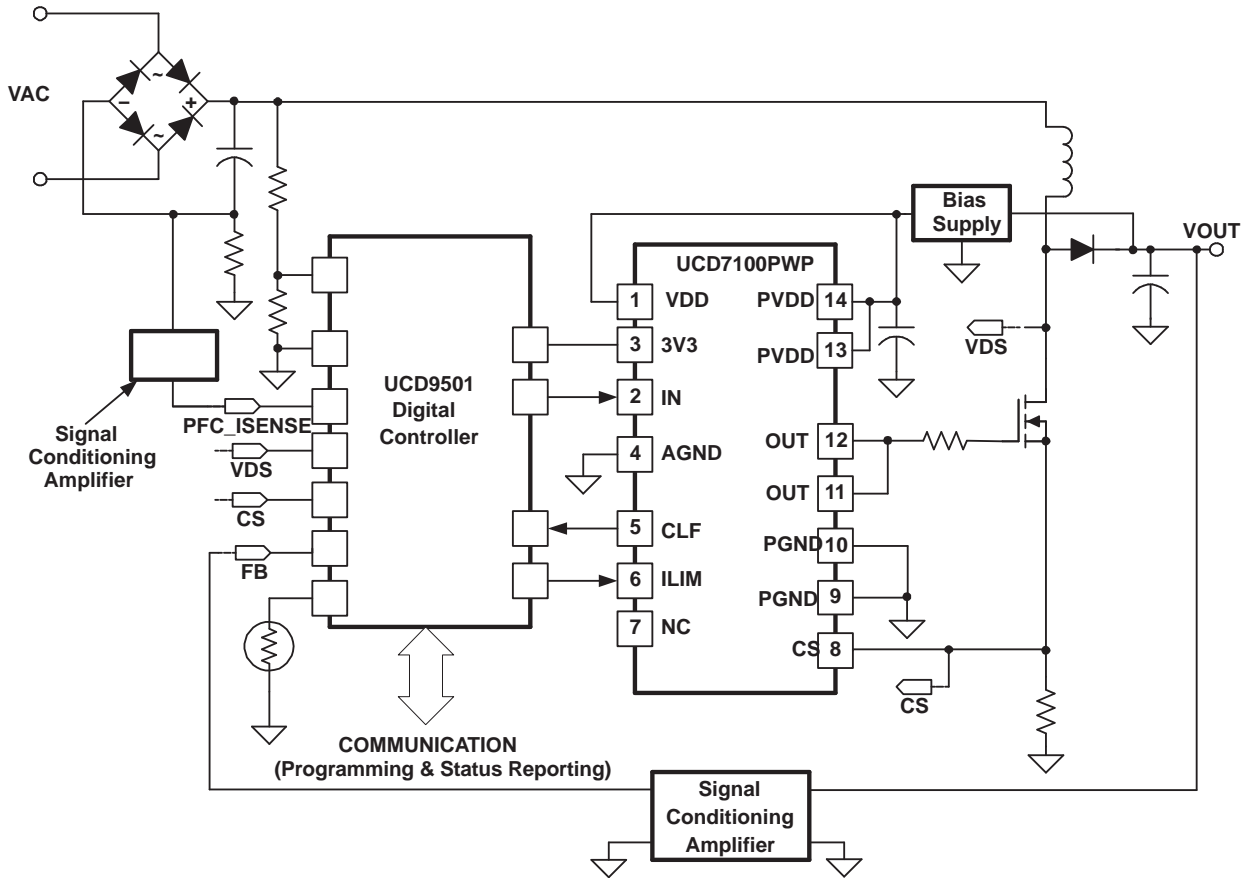


**Figure 22. Isolated Forward Converter**

**UCD7100**

SLUS651D – MARCH 2005 – REVISED OCTOBER 2014

www.ti.com



**Figure 23. PFC Boost Front-End Power Supply**

**11.3 Thermal Considerations**

The useful range of a driver is greatly affected by the drive power requirements of the load and the thermal characteristics of the device package. In order for a power driver to be useful over a particular temperature range the package must allow for the efficient removal of the heat produced while keeping the junction temperature within rated limits. The UCD7K family of drivers is available in PowerPAD™ TSSOP package to cover a range of application requirements. Both have the exposed pads to relieve thermal dissipation from the semiconductor junction.

As illustrated in Reference [2], the PowerPAD™ packages offer a leadframe die pad that is exposed at the base of the package. This pad is soldered to the copper on the PC board (PCB) directly underneath the device package, reducing the  $\Theta_{JC}$  down to 4.7°C/W. The PC board must be designed with thermal lands and thermal vias to complete the heat removal subsystem, as summarized in Reference [3].

Note that the PowerPAD™ is not directly connected to any leads of the package. However, it is electrically and thermally connected to the substrate which is the ground of the device.

## 12 Device and Documentation Support

### 12.1 Device Support

#### 12.1.1 Development Support

PRODUCT	DESCRIPTION	FEATURES
<a href="#">UCD7201</a>	Dual Low Side $\pm 4$ -A Drivers with Common CS	3V3, CS <sup>(1)</sup> (2)
<a href="#">UCD7230</a>	$\pm 4$ A Synchronous Buck Driver with CS	3V3, CS <sup>(1)</sup> (2)

(1) 3V3 = 3.3V linear regulator.

(2) CS = current sense and current limit function.

### 12.2 Documentation Support

#### 12.2.1 Related Documentation

1. Power Supply Seminar SEM-1400 Topic 2: Design And Application Guide For High Speed MOSFET Gate Drive Circuits, by Laszlo Balogh, Texas Instruments ([SLUP133](#))
2. Technical Brief, PowerPad Thermally Enhanced Package, Texas Instruments ([SLMA002](#))
3. Application Brief, PowerPAD Made Easy, Texas Instruments ([SLMA004](#))

### 12.3 Trademarks

TrueDrive, PowerPAD are trademarks of Texas Instruments.

All other trademarks are the property of their respective owners.

### 12.4 Electrostatic Discharge Caution



These devices have limited built-in ESD protection. The leads should be shorted together or the device placed in conductive foam during storage or handling to prevent electrostatic damage to the MOS gates.

### 12.5 Glossary

[SLYZ022](#) — *TI Glossary*.

This glossary lists and explains terms, acronyms, and definitions.

## UCD7100

SLUS651D – MARCH 2005 – REVISED OCTOBER 2014

[www.ti.com](http://www.ti.com)

### 13 Mechanical, Packaging, and Orderable Information

The following pages include mechanical, packaging, and orderable information. This information is the most current data available for the designated devices. This data is subject to change without notice and revision of this document. For browser-based versions of this data sheet, refer to the left-hand navigation.

**PACKAGING INFORMATION**

Orderable Device	Status (1)	Package Type	Package Drawing	Pins	Package Qty	Eco Plan (2)	Lead/Ball Finish (6)	MSL Peak Temp (3)	Op Temp (°C)	Device Marking (4/5)	Samples
UCD7100PWP	ACTIVE	HTSSOP	PWP	14	90	Green (RoHS & no Sb/Br)	CU NIPDAU	Level-2-260C-1 YEAR	-40 to 105	UCD7100	<a href="#">Samples</a>
UCD7100PWPG4	ACTIVE	HTSSOP	PWP	14	90	Green (RoHS & no Sb/Br)	CU NIPDAU	Level-2-260C-1 YEAR	-40 to 105	UCD7100	<a href="#">Samples</a>
UCD7100PWPR	ACTIVE	HTSSOP	PWP	14	2000	Green (RoHS & no Sb/Br)	CU NIPDAU	Level-2-260C-1 YEAR	-40 to 105	UCD7100	<a href="#">Samples</a>
UCD7100PWPRG4	ACTIVE	HTSSOP	PWP	14	2000	Green (RoHS & no Sb/Br)	CU NIPDAU	Level-2-260C-1 YEAR	-40 to 105	UCD7100	<a href="#">Samples</a>

(1) The marketing status values are defined as follows:

**ACTIVE:** Product device recommended for new designs.

**LIFEBUY:** TI has announced that the device will be discontinued, and a lifetime-buy period is in effect.

**NRND:** Not recommended for new designs. Device is in production to support existing customers, but TI does not recommend using this part in a new design.

**PREVIEW:** Device has been announced but is not in production. Samples may or may not be available.

**OBSOLETE:** TI has discontinued the production of the device.

(2) Eco Plan - The planned eco-friendly classification: Pb-Free (RoHS), Pb-Free (RoHS Exempt), or Green (RoHS & no Sb/Br) - please check <http://www.ti.com/productcontent> for the latest availability information and additional product content details.

**TBD:** The Pb-Free/Green conversion plan has not been defined.

**Pb-Free (RoHS):** TI's terms "Lead-Free" or "Pb-Free" mean semiconductor products that are compatible with the current RoHS requirements for all 6 substances, including the requirement that lead not exceed 0.1% by weight in homogeneous materials. Where designed to be soldered at high temperatures, TI Pb-Free products are suitable for use in specified lead-free processes.

**Pb-Free (RoHS Exempt):** This component has a RoHS exemption for either 1) lead-based flip-chip solder bumps used between the die and package, or 2) lead-based die adhesive used between the die and leadframe. The component is otherwise considered Pb-Free (RoHS compatible) as defined above.

**Green (RoHS & no Sb/Br):** TI defines "Green" to mean Pb-Free (RoHS compatible), and free of Bromine (Br) and Antimony (Sb) based flame retardants (Br or Sb do not exceed 0.1% by weight in homogeneous material)

(3) MSL, Peak Temp. - The Moisture Sensitivity Level rating according to the JEDEC industry standard classifications, and peak solder temperature.

(4) There may be additional marking, which relates to the logo, the lot trace code information, or the environmental category on the device.

(5) Multiple Device Markings will be inside parentheses. Only one Device Marking contained in parentheses and separated by a "-" will appear on a device. If a line is indented then it is a continuation of the previous line and the two combined represent the entire Device Marking for that device.

(6) Lead/Ball Finish - Orderable Devices may have multiple material finish options. Finish options are separated by a vertical ruled line. Lead/Ball Finish values may wrap to two lines if the finish value exceeds the maximum column width.



Distributor of Texas Instruments: Excellent Integrated System Limited

Datasheet of UCD7100PWP - IC DGTL CTRL MOSFET DVR 14HTSSOP

Contact us: [sales@integrated-circuit.com](mailto:sales@integrated-circuit.com) Website: [www.integrated-circuit.com](http://www.integrated-circuit.com)

**PACKAGE OPTION ADDENDUM**

---

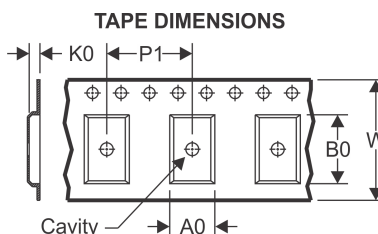
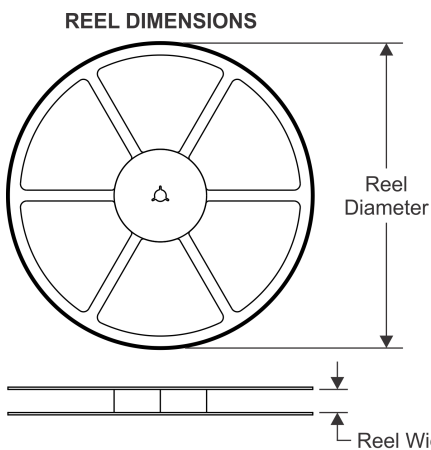
[www.ti.com](http://www.ti.com)

14-Oct-2014

**Important Information and Disclaimer:** The information provided on this page represents TI's knowledge and belief as of the date that it is provided. TI bases its knowledge and belief on information provided by third parties, and makes no representation or warranty as to the accuracy of such information. Efforts are underway to better integrate information from third parties. TI has taken and continues to take reasonable steps to provide representative and accurate information but may not have conducted destructive testing or chemical analysis on incoming materials and chemicals. TI and TI suppliers consider certain information to be proprietary, and thus CAS numbers and other limited information may not be available for release.

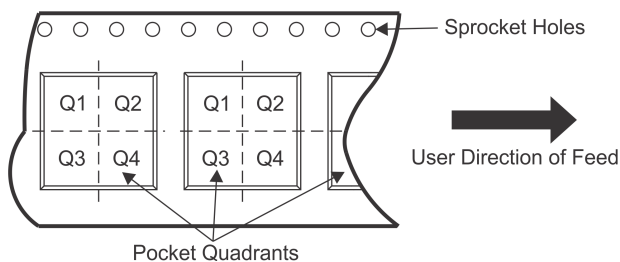
In no event shall TI's liability arising out of such information exceed the total purchase price of the TI part(s) at issue in this document sold by TI to Customer on an annual basis.

**TAPE AND REEL INFORMATION**



A0	Dimension designed to accommodate the component width
B0	Dimension designed to accommodate the component length
K0	Dimension designed to accommodate the component thickness
W	Overall width of the carrier tape
P1	Pitch between successive cavity centers

**QUADRANT ASSIGNMENTS FOR PIN 1 ORIENTATION IN TAPE**

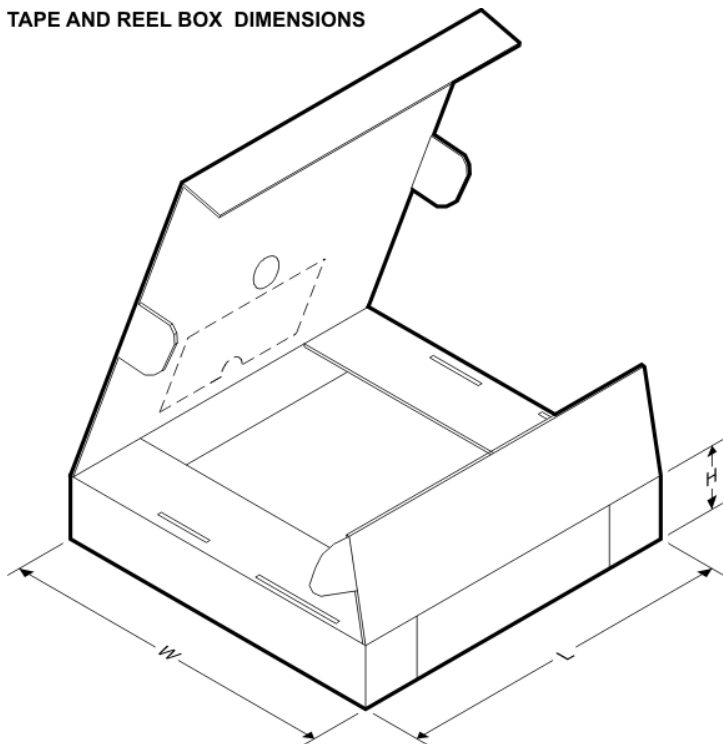


\*All dimensions are nominal

Device	Package Type	Package Drawing	Pins	SPQ	Reel Diameter (mm)	Reel Width W1 (mm)	A0 (mm)	B0 (mm)	K0 (mm)	P1 (mm)	W (mm)	Pin1 Quadrant
UCD7100PWP	HTSSOP	PWP	14	2000	330.0	12.4	6.9	5.6	1.6	8.0	12.0	Q1



**TAPE AND REEL BOX DIMENSIONS**



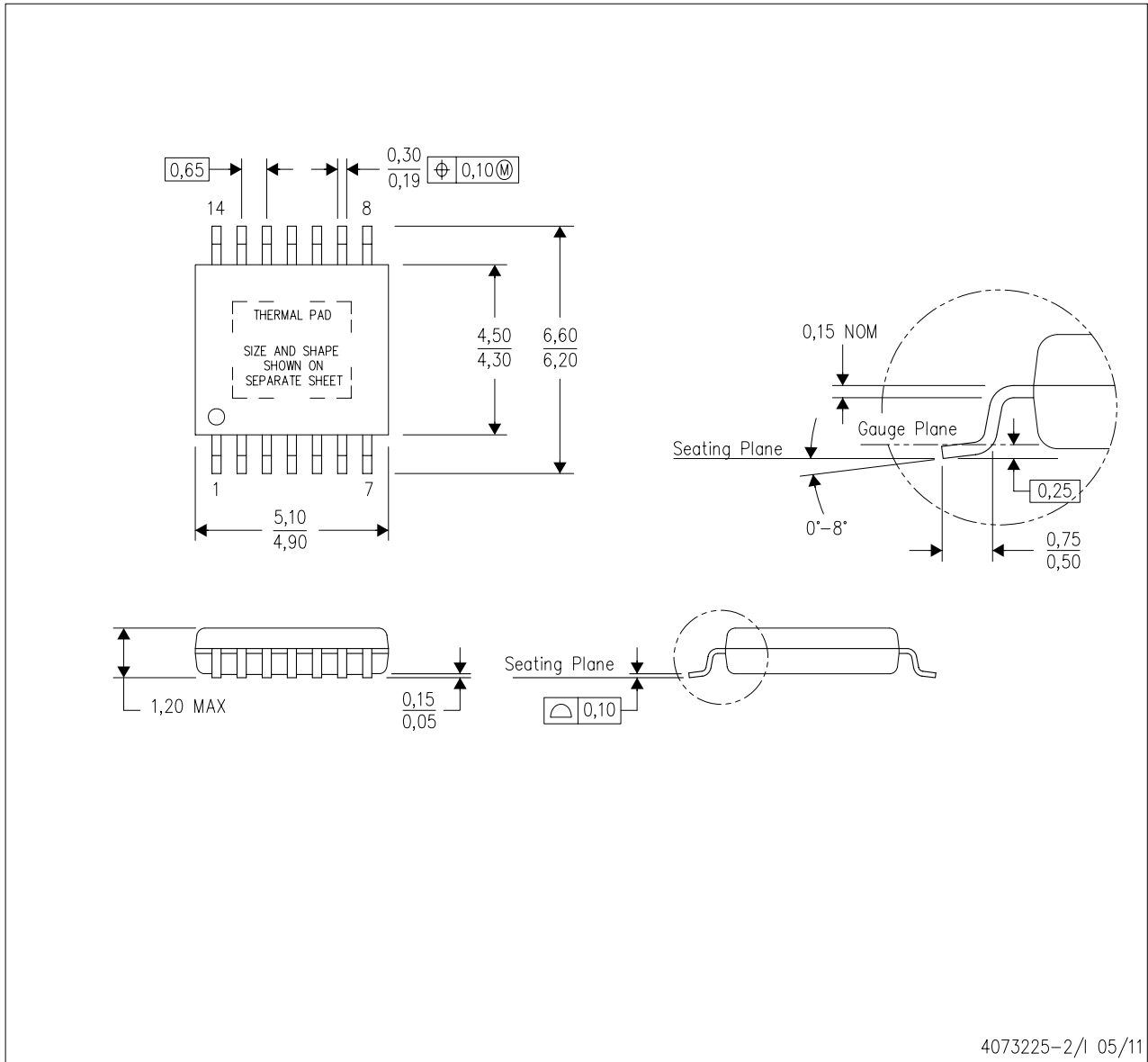
\*All dimensions are nominal

Device	Package Type	Package Drawing	Pins	SPQ	Length (mm)	Width (mm)	Height (mm)
UCD7100PWPR	HTSSOP	PWP	14	2000	367.0	367.0	35.0

**MECHANICAL DATA**

PWP (R-PDSO-G14)

PowerPAD™ PLASTIC SMALL OUTLINE



4073225-2/1 05/11

- NOTES:
- A. All linear dimensions are in millimeters.
  - B. This drawing is subject to change without notice.
  - C. Body dimensions do not include mold flash or protrusions. Mold flash and protrusion shall not exceed 0.15 per side.
  - D. This package is designed to be soldered to a thermal pad on the board. Refer to Technical Brief, PowerPad Thermally Enhanced Package, Texas Instruments Literature No. SLMA002 for information regarding recommended board layout. This document is available at [www.ti.com](http://www.ti.com) <<http://www.ti.com>>.
  - E. See the additional figure in the Product Data Sheet for details regarding the exposed thermal pad features and dimensions.
  - F. Falls within JEDEC MO-153

PowerPAD is a trademark of Texas Instruments.

**THERMAL PAD MECHANICAL DATA**

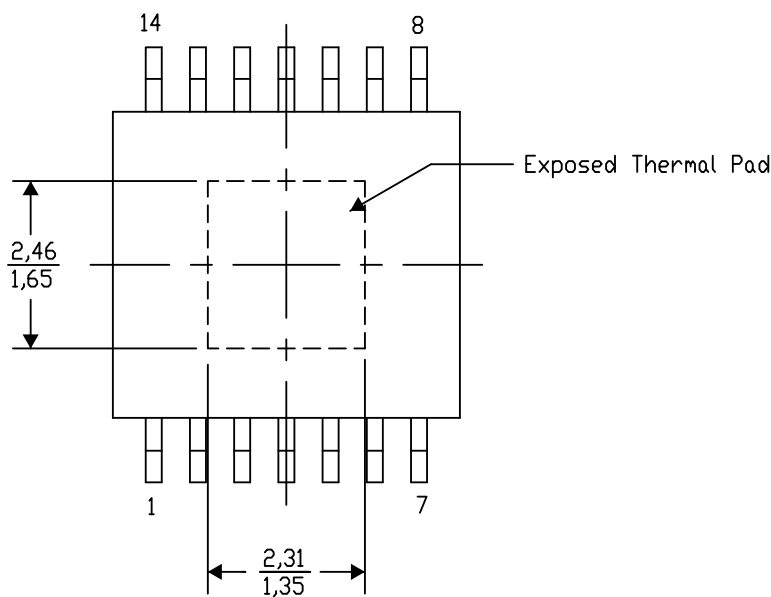
**PWP (R-PDSO-G14) PowerPAD™ SMALL PLASTIC OUTLINE**

**THERMAL INFORMATION**

This PowerPAD™ package incorporates an exposed thermal pad that is designed to be attached to a printed circuit board (PCB). The thermal pad must be soldered directly to the PCB. After soldering, the PCB can be used as a heatsink. In addition, through the use of thermal vias, the thermal pad can be attached directly to the appropriate copper plane shown in the electrical schematic for the device, or alternatively, can be attached to a special heatsink structure designed into the PCB. This design optimizes the heat transfer from the integrated circuit (IC).

For additional information on the PowerPAD package and how to take advantage of its heat dissipating abilities, refer to Technical Brief, PowerPAD Thermally Enhanced Package, Texas Instruments Literature No. SLMA002 and Application Brief, PowerPAD Made Easy, Texas Instruments Literature No. SLMA004. Both documents are available at www.ti.com.

The exposed thermal pad dimensions for this package are shown in the following illustration.



Top View

Exposed Thermal Pad Dimensions

4206332-2/AO 01/16

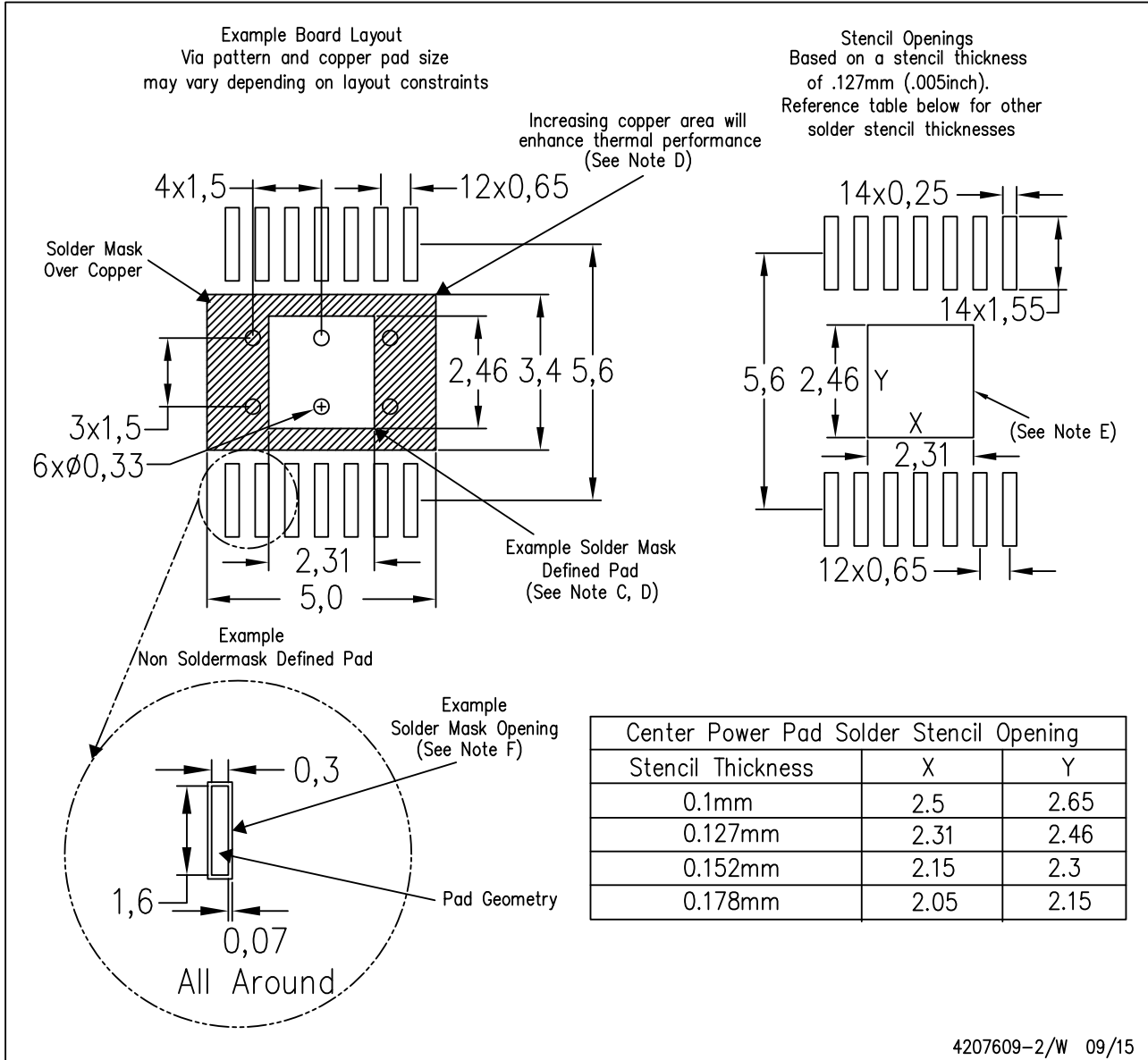
NOTE: A. All linear dimensions are in millimeters

PowerPAD is a trademark of Texas Instruments

LAND PATTERN DATA

PWP (R-PDSO-G14)

PowerPAD™ PLASTIC SMALL OUTLINE



- NOTES:
- A. All linear dimensions are in millimeters.
  - B. This drawing is subject to change without notice.
  - C. Customers should place a note on the circuit board fabrication drawing not to alter the center solder mask defined pad.
  - D. This package is designed to be soldered to a thermal pad on the board. Refer to Technical Brief, PowerPad Thermally Enhanced Package, Texas Instruments Literature No. SLMA002, SLMA004, and also the Product Data Sheets for specific thermal information, via requirements, and recommended board layout. These documents are available at [www.ti.com](http://www.ti.com) <<http://www.ti.com>>. Publication IPC-7351 is recommended for alternate designs.
  - E. Laser cutting apertures with trapezoidal walls and also rounding corners will offer better paste release. Customers should contact their board assembly site for stencil design recommendations. Example stencil design based on a 50% volumetric metal load solder paste. Refer to IPC-7525 for other stencil recommendations.
  - F. Customers should contact their board fabrication site for solder mask tolerances between and around signal pads.

**THERMAL PAD MECHANICAL DATA**

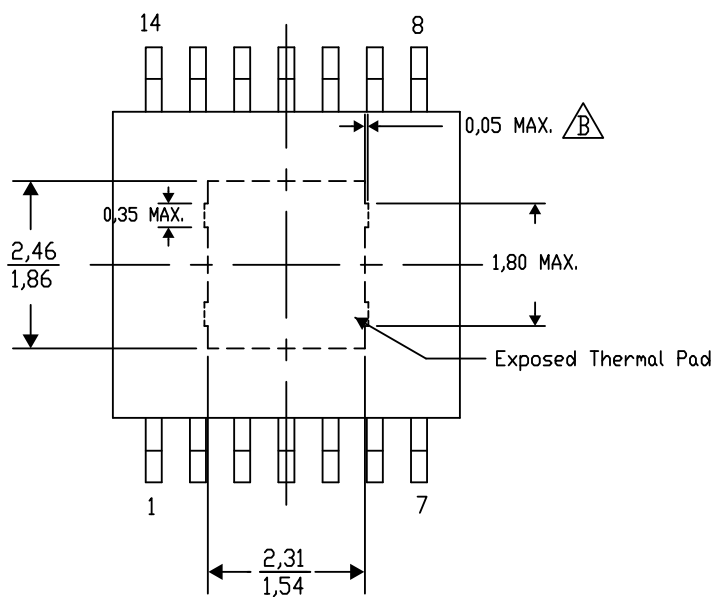
**PWP (R-PDSO-G14) PowerPAD™ SMALL PLASTIC OUTLINE**

**THERMAL INFORMATION**

This PowerPAD™ package incorporates an exposed thermal pad that is designed to be attached to a printed circuit board (PCB). The thermal pad must be soldered directly to the PCB. After soldering, the PCB can be used as a heatsink. In addition, through the use of thermal vias, the thermal pad can be attached directly to the appropriate copper plane shown in the electrical schematic for the device, or alternatively, can be attached to a special heatsink structure designed into the PCB. This design optimizes the heat transfer from the integrated circuit (IC).

For additional information on the PowerPAD package and how to take advantage of its heat dissipating abilities, refer to Technical Brief, PowerPAD Thermally Enhanced Package, Texas Instruments Literature No. SLMA002 and Application Brief, PowerPAD Made Easy, Texas Instruments Literature No. SLMA004. Both documents are available at www.ti.com.

The exposed thermal pad dimensions for this package are shown in the following illustration.



Top View

Exposed Thermal Pad Dimensions

4206332-44/AO 01/16

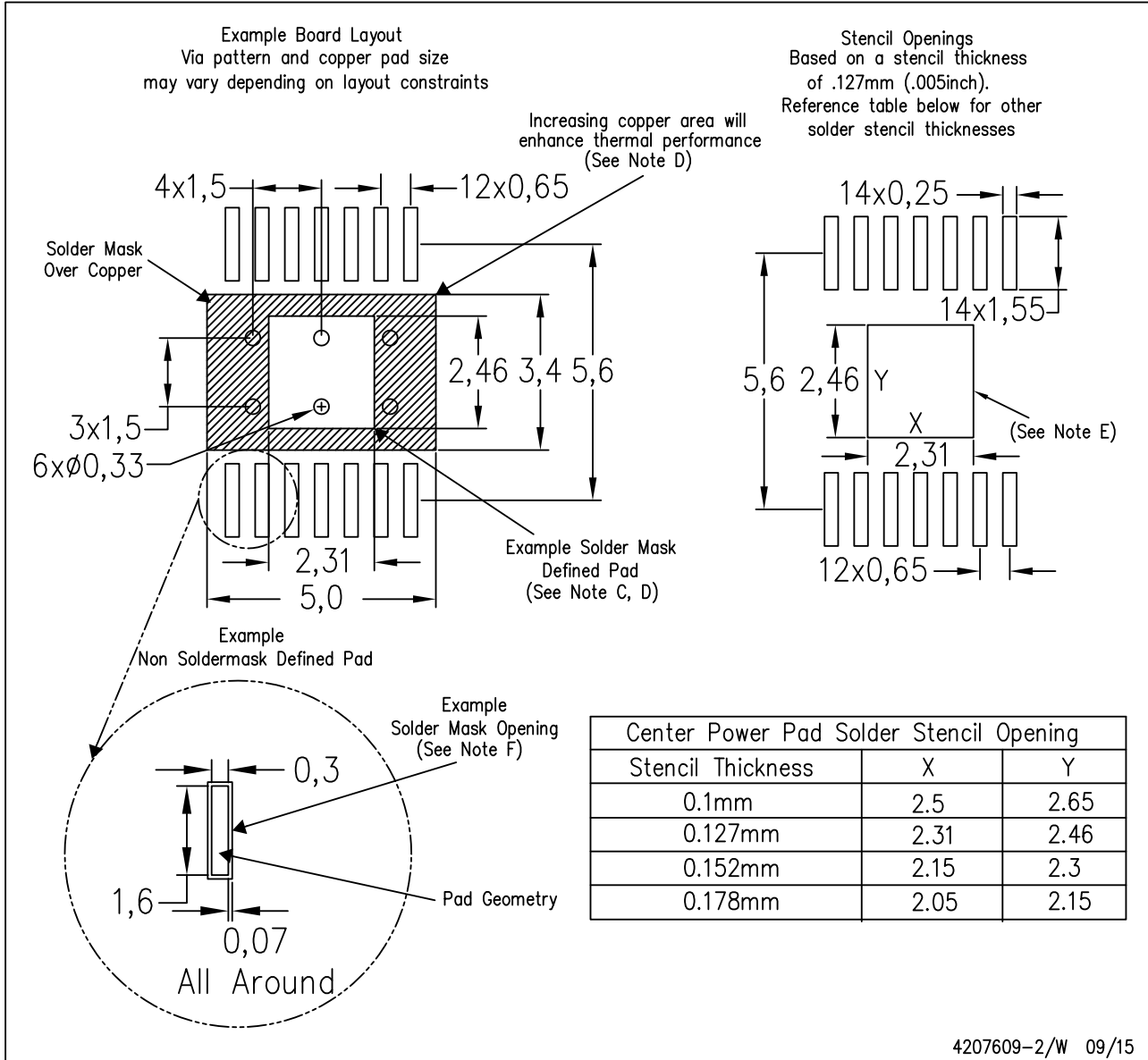
NOTE: A. All linear dimensions are in millimeters  
 B. Exposed tie strap features may not be present.

PowerPAD is a trademark of Texas Instruments

LAND PATTERN DATA

PWP (R-PDSO-G14)

PowerPAD™ PLASTIC SMALL OUTLINE

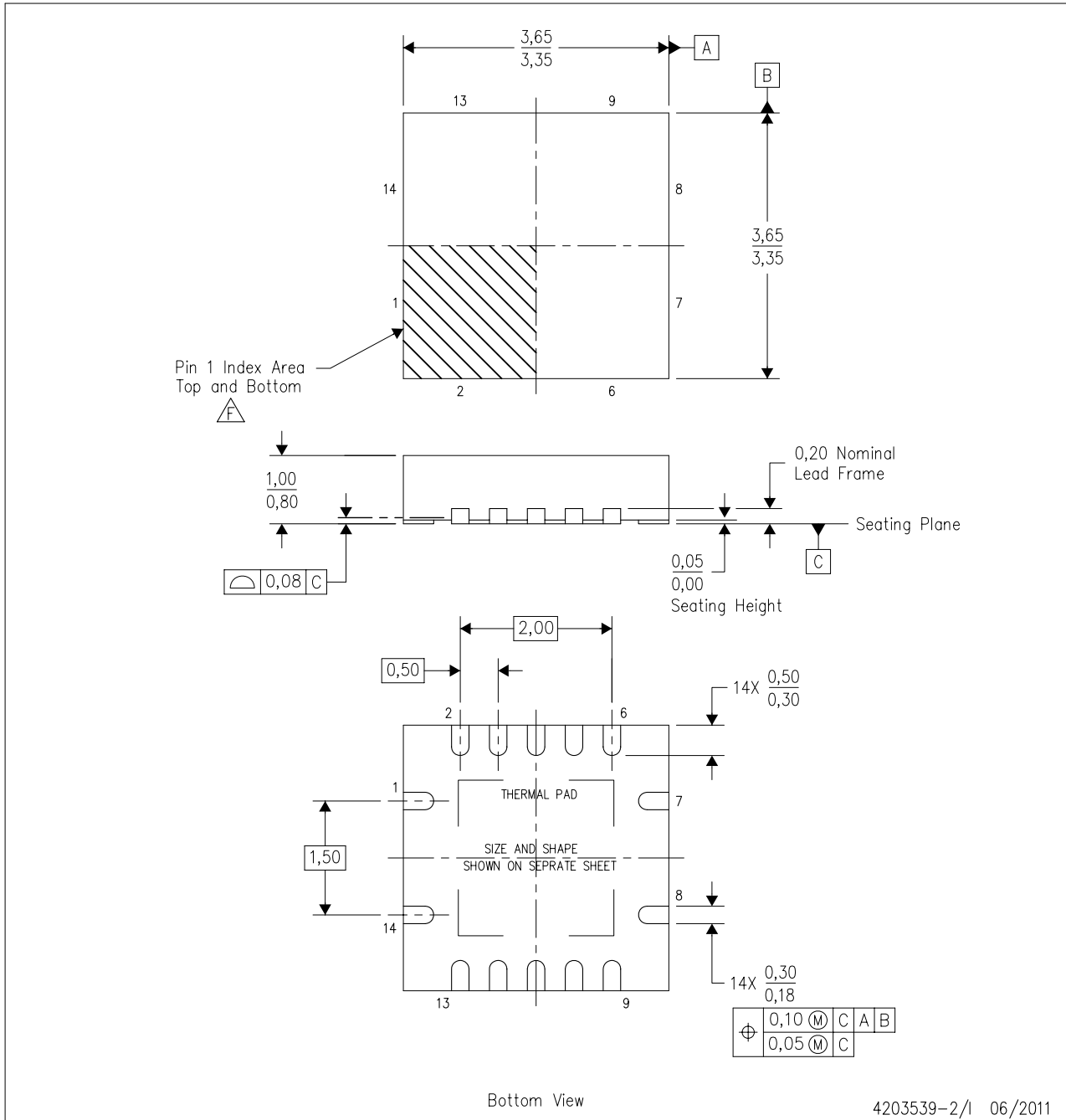


- NOTES:
- A. All linear dimensions are in millimeters.
  - B. This drawing is subject to change without notice.
  - C. Customers should place a note on the circuit board fabrication drawing not to alter the center solder mask defined pad.
  - D. This package is designed to be soldered to a thermal pad on the board. Refer to Technical Brief, PowerPad Thermally Enhanced Package, Texas Instruments Literature No. SLMA002, SLMA004, and also the Product Data Sheets for specific thermal information, via requirements, and recommended board layout. These documents are available at [www.ti.com](http://www.ti.com) <<http://www.ti.com>>. Publication IPC-7351 is recommended for alternate designs.
  - E. Laser cutting apertures with trapezoidal walls and also rounding corners will offer better paste release. Customers should contact their board assembly site for stencil design recommendations. Example stencil design based on a 50% volumetric metal load solder paste. Refer to IPC-7525 for other stencil recommendations.
  - F. Customers should contact their board fabrication site for solder mask tolerances between and around signal pads.

**MECHANICAL DATA**

RGY (S-PVQFN-N14)

PLASTIC QUAD FLATPACK NO-LEAD



- NOTES:
- All linear dimensions are in millimeters. Dimensioning and tolerancing per ASME Y14.5M-1994.
  - This drawing is subject to change without notice.
  - QFN (Quad Flatpack No-Lead) package configuration.
  - The package thermal pad must be soldered to the board for thermal and mechanical performance.
  - See the additional figure in the Product Data Sheet for details regarding the exposed thermal pad features and dimensions.
- ⚠ Pin 1 identifiers are located on both top and bottom of the package and within the zone indicated. The Pin 1 identifiers are either a molded, marked, or metal feature.
- Package complies to JEDEC MO-241 variation BA.

## IMPORTANT NOTICE

Texas Instruments Incorporated and its subsidiaries (TI) reserve the right to make corrections, enhancements, improvements and other changes to its semiconductor products and services per JESD46, latest issue, and to discontinue any product or service per JESD48, latest issue. Buyers should obtain the latest relevant information before placing orders and should verify that such information is current and complete. All semiconductor products (also referred to herein as “components”) are sold subject to TI’s terms and conditions of sale supplied at the time of order acknowledgment.

TI warrants performance of its components to the specifications applicable at the time of sale, in accordance with the warranty in TI’s terms and conditions of sale of semiconductor products. Testing and other quality control techniques are used to the extent TI deems necessary to support this warranty. Except where mandated by applicable law, testing of all parameters of each component is not necessarily performed.

TI assumes no liability for applications assistance or the design of Buyers’ products. Buyers are responsible for their products and applications using TI components. To minimize the risks associated with Buyers’ products and applications, Buyers should provide adequate design and operating safeguards.

TI does not warrant or represent that any license, either express or implied, is granted under any patent right, copyright, mask work right, or other intellectual property right relating to any combination, machine, or process in which TI components or services are used. Information published by TI regarding third-party products or services does not constitute a license to use such products or services or a warranty or endorsement thereof. Use of such information may require a license from a third party under the patents or other intellectual property of the third party, or a license from TI under the patents or other intellectual property of TI.

Reproduction of significant portions of TI information in TI data books or data sheets is permissible only if reproduction is without alteration and is accompanied by all associated warranties, conditions, limitations, and notices. TI is not responsible or liable for such altered documentation. Information of third parties may be subject to additional restrictions.

Resale of TI components or services with statements different from or beyond the parameters stated by TI for that component or service voids all express and any implied warranties for the associated TI component or service and is an unfair and deceptive business practice. TI is not responsible or liable for any such statements.

Buyer acknowledges and agrees that it is solely responsible for compliance with all legal, regulatory and safety-related requirements concerning its products, and any use of TI components in its applications, notwithstanding any applications-related information or support that may be provided by TI. Buyer represents and agrees that it has all the necessary expertise to create and implement safeguards which anticipate dangerous consequences of failures, monitor failures and their consequences, lessen the likelihood of failures that might cause harm and take appropriate remedial actions. Buyer will fully indemnify TI and its representatives against any damages arising out of the use of any TI components in safety-critical applications.

In some cases, TI components may be promoted specifically to facilitate safety-related applications. With such components, TI’s goal is to help enable customers to design and create their own end-product solutions that meet applicable functional safety standards and requirements. Nonetheless, such components are subject to these terms.

No TI components are authorized for use in FDA Class III (or similar life-critical medical equipment) unless authorized officers of the parties have executed a special agreement specifically governing such use.

Only those TI components which TI has specifically designated as military grade or “enhanced plastic” are designed and intended for use in military/aerospace applications or environments. Buyer acknowledges and agrees that any military or aerospace use of TI components which have **not** been so designated is solely at the Buyer’s risk, and that Buyer is solely responsible for compliance with all legal and regulatory requirements in connection with such use.

TI has specifically designated certain components as meeting ISO/TS16949 requirements, mainly for automotive use. In any case of use of non-designated products, TI will not be responsible for any failure to meet ISO/TS16949.

### Products

Audio	<a href="http://www.ti.com/audio">www.ti.com/audio</a>
Amplifiers	<a href="http://amplifier.ti.com">amplifier.ti.com</a>
Data Converters	<a href="http://dataconverter.ti.com">dataconverter.ti.com</a>
DLP® Products	<a href="http://www.dlp.com">www.dlp.com</a>
DSP	<a href="http://dsp.ti.com">dsp.ti.com</a>
Clocks and Timers	<a href="http://www.ti.com/clocks">www.ti.com/clocks</a>
Interface	<a href="http://interface.ti.com">interface.ti.com</a>
Logic	<a href="http://logic.ti.com">logic.ti.com</a>
Power Mgmt	<a href="http://power.ti.com">power.ti.com</a>
Microcontrollers	<a href="http://microcontroller.ti.com">microcontroller.ti.com</a>
RFID	<a href="http://www.ti-rfid.com">www.ti-rfid.com</a>
OMAP Applications Processors	<a href="http://www.ti.com/omap">www.ti.com/omap</a>
Wireless Connectivity	<a href="http://www.ti.com/wirelessconnectivity">www.ti.com/wirelessconnectivity</a>

### Applications

Automotive and Transportation	<a href="http://www.ti.com/automotive">www.ti.com/automotive</a>
Communications and Telecom	<a href="http://www.ti.com/communications">www.ti.com/communications</a>
Computers and Peripherals	<a href="http://www.ti.com/computers">www.ti.com/computers</a>
Consumer Electronics	<a href="http://www.ti.com/consumer-apps">www.ti.com/consumer-apps</a>
Energy and Lighting	<a href="http://www.ti.com/energy">www.ti.com/energy</a>
Industrial	<a href="http://www.ti.com/industrial">www.ti.com/industrial</a>
Medical	<a href="http://www.ti.com/medical">www.ti.com/medical</a>
Security	<a href="http://www.ti.com/security">www.ti.com/security</a>
Space, Avionics and Defense	<a href="http://www.ti.com/space-avionics-defense">www.ti.com/space-avionics-defense</a>
Video and Imaging	<a href="http://www.ti.com/video">www.ti.com/video</a>

### TI E2E Community

[e2e.ti.com](http://e2e.ti.com)