

Excellent Integrated System Limited

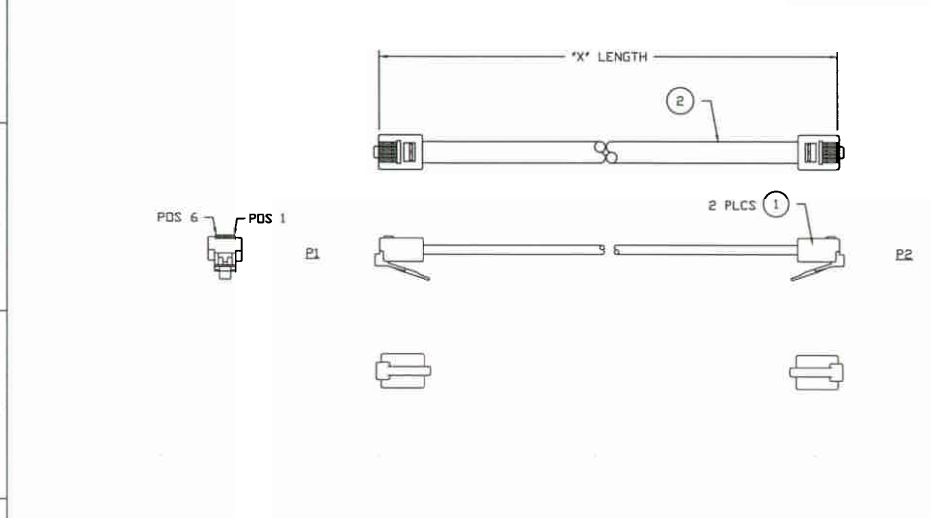
Stocking Distributor

Click to view price, real time Inventory, Delivery & Lifecycle Information:

For any questions, you can email us directly:

sales@integrated-circuit.com

A		B		C		D		E		F		G		H	
THESE DRAWINGS AND SPECIFICATIONS ARE THE SOLE PROPERTY OF I/O INTERCONNECT INC. USA AND SHALL NOT BE REPRODUCED, COPIED OR USED IN ANY MANNER WITHOUT THE PRIOR WRITTEN CONSENT OF I/O INTERCONNECT INC. OR ITS AFFILIATED SUBSIDIARIES.										DWG. NO.	ZONE	REV.	DESCRIPTION	DATE	APPROVED
										XX6-510-D		C	ECN C285	08/07/01	K.C.
												D	ADD NOTE & CHANGE P/N TO ROHS COMPLIANT PER ECN 0830	04/21/05	M.G.



WIRE DIAGRAM

P1		P2
1	WHITE	6
2	BLACK	5
3	RED	4
4	GREEN	3
5	YELLOW	2
6	BLUE	1

NOTES: UNLESS OTHERWISE SPECIFIED.

- CABLE TO BE BUNDLED AND TWIST TIED.
- TEST CABLE FOR ALL OPENS & SHORTS.
- PACKAGE CABLE ASSEMBLY INDIVIDUALLY IN PLASTIC BAG. PACKAGE INDIVIDUAL BAG PER LOT NUMBER QUANTITIES.
- MARK OUTSIDE OF SHIPPING WITH CUSTOMER PART NUMBER.
- PLACE BAR CODE LABEL ON THE OUTSIDE OF EACH SHIPPING BOX LABEL DETAIL SEE DWG 090-990-001.
- ALL METRICAL SHOULD BE ROHS COMPLIANT.

H1663-25-ND	GLF-466-256-510-D	25.0 FT ± 4.0 IN 7.62 M ± 101.6 MM
H1663-14-ND	GLF-466-146-510-D	14.0 FT ± 3.0 IN 4.27 M ± 76.2 MM
H1663-07-ND	GLF-466-076-510-D	7.0 FT ± 2.0 IN 2.13 M ± 50.8 MM
PART NUMBER DIGI-KEY	PART NUMBER I/O INTERCONNECT	LENGTH 'X'

I/O INTERCONNECT SANTA ANA, CALIFORNIA		TITLE: GP6C MODULAR, STANDARD STYLE, SILVER SATIN, CABLE ASSEMBLY P/N: H1663-XX-ND	
DR. BY: IN. DESIGN: NO.: ENGINEER: DATE/SCALE: SA:	PART NO: DWG NO: CUSTOMER: SCALE: NONE	REV. D SHEET 1 OF 1	REV. D SHEET 1 OF 1

ITEM	QTY	MFG.	ID#	DESCRIPTION
2	*X*		GLF=120-610-000	MODULAR CABLE, 26 AWG (7/34) BARE COPPER, 6 CONDUCTOR, UNSHIELDED, SILVER SATIN PVC. ROHS COMPLIANT.
1	2 PCS		GLF-325-661-50X	CONNECTOR, MODULAR PLUG, 6 POSITION, 6 CONDUCTOR, 50u" Au, FLAT TYPE EXIT. ROHS COMPLIANT.

CABLE ASSEMBLY PARTS LIST