

Excellent Integrated System Limited

Stocking Distributor

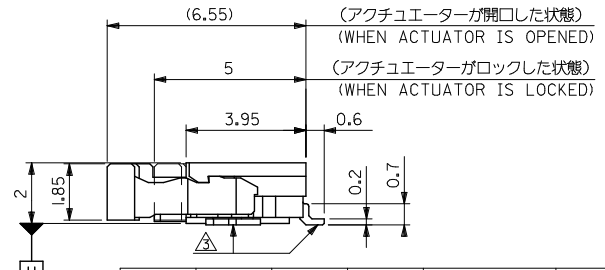
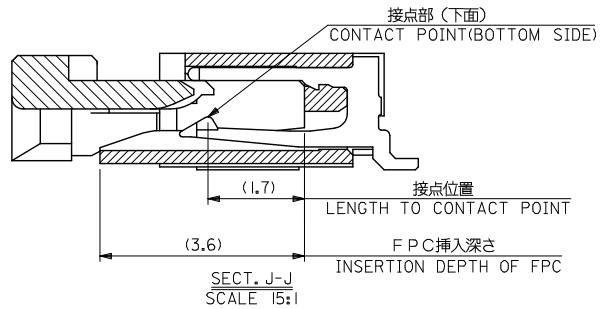
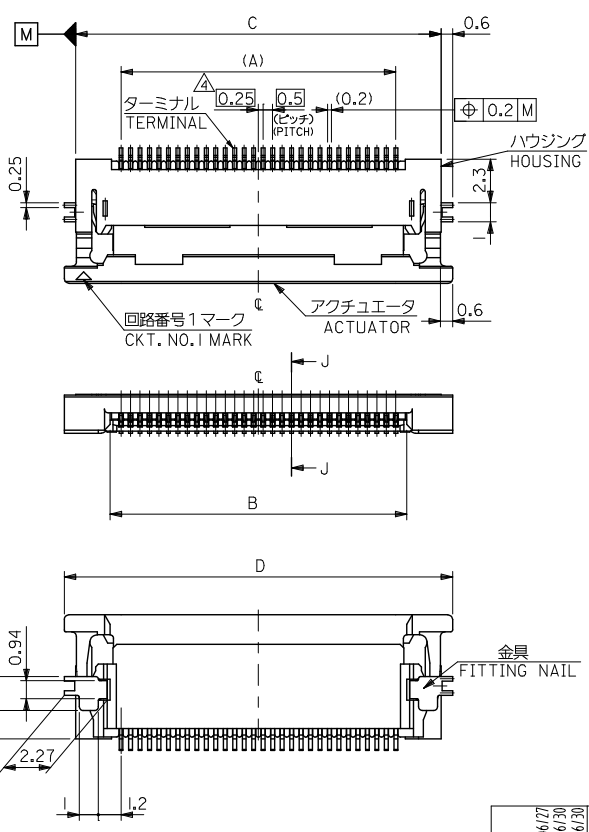
Click to view price, real time Inventory, Delivery & Lifecycle Information:

[Molex Connector Corporation](#)
[0541323697](#)

For any questions, you can email us directly:

sales@integrated-circuit.com

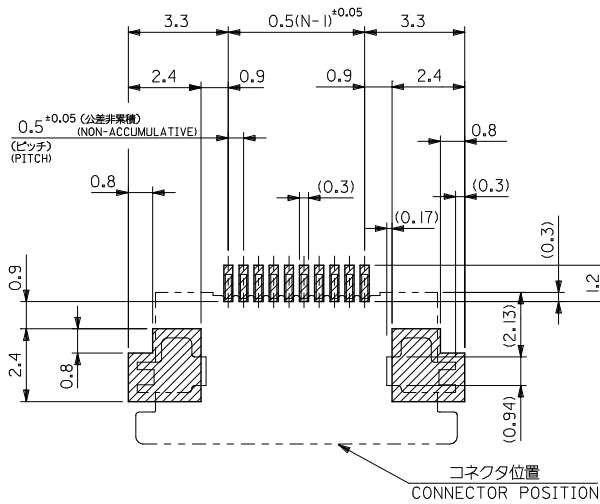
10 9 8 7 6 5 4 3 2 1



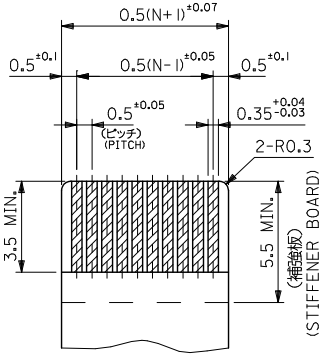
30.5	29.3	25.65	24.5	54132-5097	54132-5039	50
28.0	26.8	23.15	22.0	△-4597	△-4539	45
27.0	25.8	22.15	21.0	△-4397	△-4339	43
25.5	24.3	20.65	19.5	△-4097	△-4039	40
24.5	23.3	19.65	18.5	△-3897	△-3839	38
23.5	22.3	18.65	17.5	△-3697	△-3639	36
23.0	21.8	18.15	17.0	△-3597	△-3539	35
22.5	21.3	17.65	16.5	△-3497	△-3439	34
22.0	20.8	17.15	16.0	△-3397	△-3339	33
21.5	20.3	16.65	15.5	△-3297	△-3239	32
20.5	19.3	15.65	14.5	54132-3097	54132-3039	30
D	C	B	A	EMBOSSED TAPE ORDER No. オーダー番号	MATERIAL. NO.	CKT.

REVISED EC NO. J2008-4308 DRAWN BY M.NABEI CHKD: HARUYAMA APPR: NIKITA 2008/06/30 2008/06/30 2008/06/30	GENERAL TOLERANCES (UNLESS SPECIFIED)		DIMENSION STYLE MM ONLY		SCALE ---	DESIGN UNITS METRIC	MODEL NO. THIRD ANGLE PROJECTION
	10 UNDER	± 0.2	DRAWN BY M.NABEI	DATE '03/12/15	0.5 FPC CONN ZIF HOUSING ASSY FOR SMT -LEAD FREE- MOLEX INCORPORATED SD-54132-060 SHEET NO. 1 OF 2		
	10 OVER 30 UNDER	± 0.25	CHECKED BY M.SASAO	DATE '03/12/15			
	30 OVER	± 0.3	APPROVED BY M.SASAO	DATE '03/12/15			
ANGULAR ±3 °		MATERIAL NO.	DOCUMENT NO.				
DRAFT WHERE APPLICABLE MUST REMAIN WITHIN DIMENSIONS		SEE TABLE		THIS DRAWING CONTAINS INFORMATION THAT IS PROPRIETARY TO MOLEX INCORPORATED AND SHOULD NOT BE USED WITHOUT WRITTEN PERMISSION			

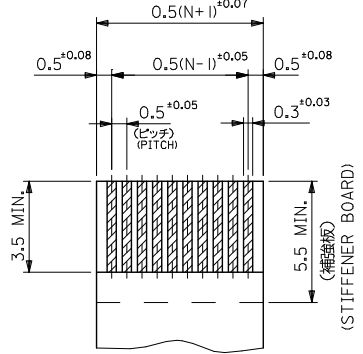
10 9 8 7 6 5 4 3 2 1



参考基板レイアウト
RECOMMENDED PC BOARD PATTERN DIMENSION(REF.)
(マウント面)
(MOUNTING SIDE)



適合FPC推奨寸法
APPLICABLE FPC RECOMMENDED DIMENSION
(仕上がり厚さ: 0.3^{+0.03})
(THICKNESS: 0.3^{+0.03})



適合FFC推奨寸法
APPLICABLE FFC RECOMMENDED DIMENSION
(仕上がり厚さ: 0.3^{+0.03})
(THICKNESS: 0.3^{+0.03})

注記
NOTES

1. 使用材料
MATERIAL : 46ナイロン, UL94V-0
ハウジング HOUSING : 46NYLON
アクチュエーター ACTUATOR : PPS, UL94V-0
ターミナル TERMINAL : リン青銅 (1=0, 2), 鍍+ビスマズメッキ 1.0~3.0 MICRO METER MIN. ニッケル下地 1.0~3.0 MICRO METER MIN.
PHOS-BRO-TIN-BISMUTH-PLATE 1.0~3.0 MICRO METER MIN. OVER NICKEL 1.0~3.0 MICRO METER MIN.
金具 FITTING NAIL : リン青銅 (1=0, 2), 鍍+ビスマズメッキ 1.0~3.0 MICRO METER MIN. ニッケル下地 1.0~3.0 MICRO METER MIN.
PHOS-BRO-TIN-PLATE 1.0~3.0 MICRO METER MIN. OVER NICKEL 1.0~3.0 MICRO METER MIN.

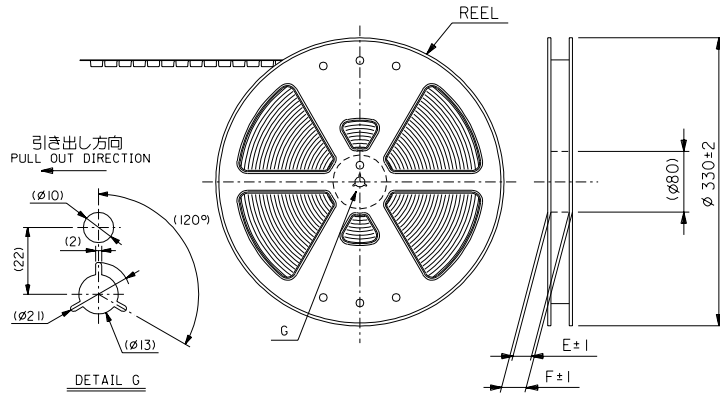
2. エンボステープ梱包時は、アクチュエーターがロックした状態とする。
IN THE PACKAGE, ACTUATOR OF PART NO.54132-***31 SHOULD BE LOCKED.
3. ソルダータール半田付け面のズレ量、及び金具半田付け面のズレ量は、基準面 田に対し上下方向0.1MAX. 下方向0.15MAX. とする。
MISALIGNMENT OF SOLDER TAILS AND FITTING NAIL FROM 田 UPPER DIRECTION: 0.1 MAX., LOWER DIRECTION: 0.15 MAX.
4. 偶数極ご適用
APPLY FOR EVEN CIRCUIT.
5. パターンはくり止め用金具
FITTING NAIL FOR PREVENTION OF PEELING OF P.C.B. PATTERN.
6. 本製品は54132-***31の鉛フリー品である。
THIS PRODUCT IS LEAD FREE OF 54132-***31

FPC/FFCについて

打抜き方向は導体側から補強板側を推奨いたします。
導体側については軟銅箔35マイクロメートルまたは50マイクロメートル
RECOMMENDED PUNCHER DIRECTION:
FROM CONDUCTOR SIDE TO STIFFENER BOARD SIDE.
RECOMMENDED CONDUCTOR SPEC.:
THICKNESS OF SOFT COPPER FOIL:
35 micrometer or 50 micrometer

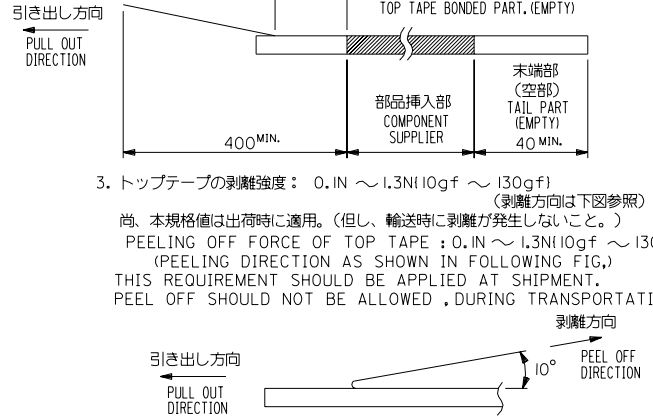
REVISED		2008/06/17		54132-***39		MODEL NO.	
EC NO. J2008-4-308		DRAWN BY M.NABEI		DATE '03/12/15		TITLE	
CHKD: THARUYAMA		2008/06/30		M.SASAO		'03/12/15	
APPR: NIKITA		2008/06/30		M.SASAO		'03/12/15	
DESCRIPTION		GENERAL TOLERANCES (UNLESS SPECIFIED)		DIMENSION STYLE		SCALE	
		10 UNDER ±0.2		MM ONLY		---	
		10 OVER 30 UNDER ±0.25		DRAWN BY DATE		DESIGN UNITS	
		30 OVER ±0.3		M.NABEI '03/12/15		METRIC	
		ANGULAR ±3 °		CHECKED BY DATE		THIRD ANGLE PROJECTION	
		DRAFT WHERE APPLICABLE MUST REMAIN WITHIN DIMENSIONS		M.SASAO '03/12/15		MOLEX INCORPORATED	
				APPROVED BY DATE		SD-54132-060	
				M.SASAO '03/12/15		SHEET NO. 2 OF 2	
				MATERIAL NO.		DOCUMENT NO.	
				SEE SHEET 1		SD-54132-060	
				SIZE A3		THIS DRAWING CONTAINS INFORMATION THAT IS PROPRIETARY TO MOLEX INCORPORATED AND SHOULD NOT BE USED WITHOUT WRITTEN PERMISSION	

DWG. NO. SD-54132-061



NOTES

1. 梱包数量：1500個/リール
NUMBER OF CONNECTORS：1500PCS/REEL
2. リードテープ長さ LEAD TAPE LENGTH
20PCS, MIN. トップテープ接着部 (空エンボス)
TOP TAPE BONDED PART, (EMPTY)
部品挿入部 (空部) COMPONENT SUPPLIER TAIL PART (EMPTY) 40 MIN.
3. トップテープの剥離強度：0.1N ~ 1.3N(10gf ~ 130gf)
尚、本規格値は出荷時に適用。(但し、輸送時に剥離が発生しないこと。)
PEELING OFF FORCE OF TOP TAPE：0.1N ~ 1.3N(10gf ~ 130gf)
(PEELING DIRECTION AS SHOWN IN FOLLOWING FIG.)
THIS REQUIREMENT SHOULD BE APPLIED AT SHIPMENT.
PEEL OFF SHOULD NOT BE ALLOWED, DURING TRANSPORTATION.



5. 材料 キャリアテープ：ポリプロピレン (PP)
トップテープ：PET, PE, PEF
リール：ポリスチレン (PS) <リサイクル材を含む>

MATERIAL CARRIER TAPE: POLYPROPYLENE
TOP TAPE: PET, PE, PEF
REEL: POLYSTYRENE (PS)
<RECYCLE MATERIAL CONTAINED>

6. 本製品は54132-* * 92の鉛フリー品である。
THIS PRODUCT IS LEAD FREE OF 54132-**92

DO NOT SCALE DRAWING

EC NO. DRAWN: CHK: APPR:		EC NO. DRAWN: CHK: APPR:		EC NO. DRAWN: CHK: APPR:		REVISED EC NO. J2004-2790 DRAWN: SHIMABUKURO M09 CHK: K. TOJO M09 APPR: M.SASAO M09 RELEASED EC NO. J2004-1538 DRAWN: M.NABEI M09/6 CHK: M.SASAO M09/6 APPR: M.SASAO M09/6		MATERIAL 材料 注記参照 SEE NOTES		GENERAL TOLERANCES: (UNLESS SPECIFIED) 一般公差		SCALE ---		DESIGN UNITS mm INCH		THIRD ANGLE PROJECTION		54132-**97 MODEL NO.															
10 UNDER 未満		10 OVER 以上		30 UNDER 未満		30 OVER 以上		FINISH 仕上げ		+0.2		+0.25		+0.3		DRAWN BY & DATE M.NABEI '03/12/15		CHECKED BY & DATE M.SASAO '03/12/15		APPROVED BY & DATE M.SASAO '03/12/15		CAD FILENAME SD-54132-061.S01		TITLE: EMBOSSD TAPE PACKAGE FOR 0.5 FPC CONN. ZIF -LEAD FREE-		MOLEX INCORPORATED		MATERIAL NO. SEE CHART		DRAWING NO. SD-54132-061		SHEET NO. 1 OF 2	
INS. RANGE 挿入外径		WIRE RANGE 適用電線範囲		REV		ANGLE 角度		THIS DRAWING CONTAINS INFORMATION THAT IS PROPRIETARY TO MOLEX INCORPORATED AND SHOULD NOT BE USED WITHOUT WRITTEN PERMISSION.		EN-02JK097) MXJ-54		SIZE B																					

SD-54132-061

