

Excellent Integrated System Limited

Stocking Distributor

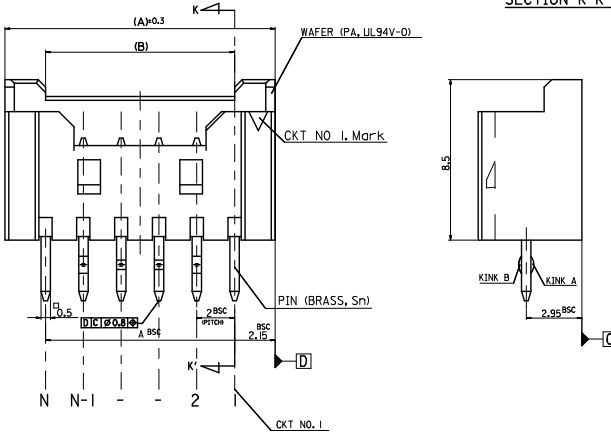
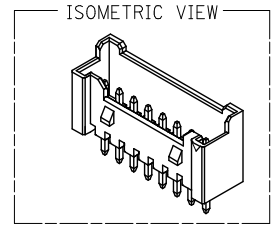
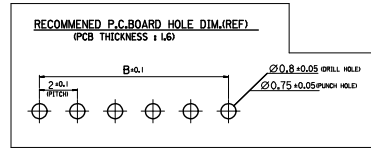
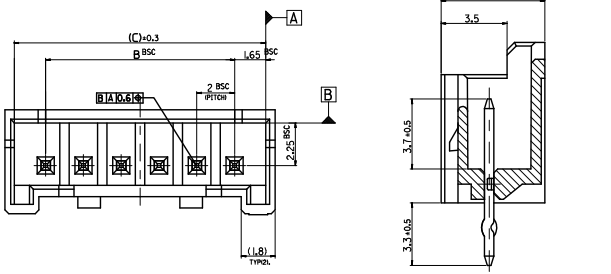
Click to view price, real time Inventory, Delivery & Lifecycle Information:

[Molex Connector Corporation](#)
[0353620450](#)

For any questions, you can email us directly:

sales@integrated-circuit.com

10 9 8 7 6 5 4 3 2 1



LEGEND

SD-35362-****
CKT NO. _____ COLOR _____

FINAL GOOD (BULK) — 5 : SELECTIVE KINK (LEAD FREE) — (LEAD FREE)
 — 6 : NONE KINK (LEAD FREE) — (LEAD FREE)

SUB ASSY (TUBE) — 7 : SELECTIVE KINK (LEAD FREE) — (LEAD FREE)
 — 8 : NONE KINK (LEAD FREE) — (LEAD FREE)

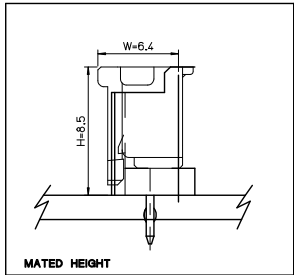
COLOR
 0 : NATURAL
 1 : BLACK
 2 : RED
 3 : YELLOW
 4 : BLUE
 5 : GREEN
 6 : TUBE PACKING (Natural Color)
 7 : TUBE PACKING (Red Color)
 8 : TUBE PACKING (Blue Color)

NOTES

1. MATERIAL : UNFILLED POLYAMIDE, UL94V-0
PIN : BRASS
2. FINISHES : PIN : Ti/Sn 1-3µm OVERALL
3. PRODUCT SPECIFICATION : PS-35507-003
4. MATING HOUSING : 35507-***0*
5. MATING TERMINAL : 50212-8000
6. KINK

31.3	28	32.3	3536215**	35362-15**	I5
29.3	26	30.3	3536214**	35362-14**	I4
27.3	24	28.3	3536213**	35362-13**	I3
25.3	22	26.3	3536212**	35362-12**	I2
23.3	20	24.3	3536211**	35362-11**	I1
21.3	18	22.3	3536210**	35362-10**	I0
19.3	16	20.3	3536209**	35362-09**	9
17.3	14	18.3	3536208**	35362-08**	8
15.3	12	16.3	3536207**	35362-07**	7
13.3	10	14.3	3536206**	35362-06**	6
11.3	8	12.3	3536205**	35362-05**	5
9.3	6	10.3	3536204**	35362-04**	4

CKT NO	1	2	3	4	5	N-2	N-1	N
6 CKT OVER	-	A	B	-	-	B	A	-
5 CKT	A	B	-	B	A			
4 CKT	A	B	B	A				



LEAD FREE

30 over	±0.3
10 over 30 under	±0.25
10 under	±0.2
ANGLE	±3°
GENERAL TOLERANCE	

REVISED	EC. NO. KOR2015-0019
DRAWN BY	TDRW/TKY/M01
CHECKED BY	CHKR/CKSK/M
APPR. YSK/MDZ	2014/08/25
2014/08/26	
2014/09/03	

QUALITY SYMBOLS

▽=0

▽=0

▽=0

GENERAL TOLERANCES (UNLESS SPECIFIED)

	mm	INCH
4 PLACES	±---	±---
3 PLACES	±---	±---
2 PLACES	±---	±---
1 PLACE	±---	±---
0 PLACE	±	±

ANGULAR ±---°

DRAFT WHERE APPLICABLE MUST REMAIN WITHIN DIMENSIONS

DIMENSION STYLE: MM ONLY

SCALE: 5:1

DESIGN UNITS: METRIC

THIRD ANGLE PROJECTION

2.0 W/B WAFER ASS'Y -LEAD FREE-

molex

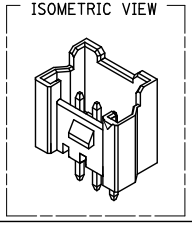
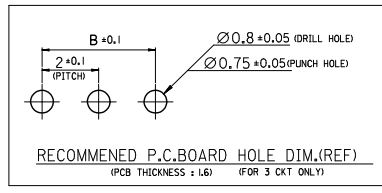
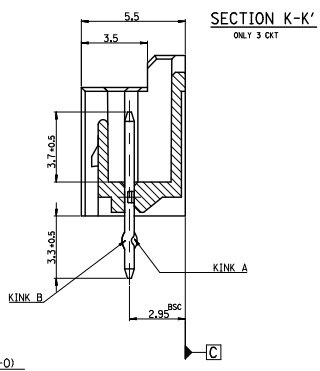
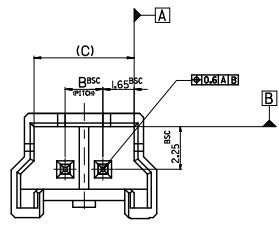
DOCUMENT NO. SD-35362-002

SHEET NO. 1 OF 1

9 8 7 6 5 4 3 2 1

10 9 8 7 6 5 4 3 2 1

FOR 2 & 3 CKTS.



LEGEND

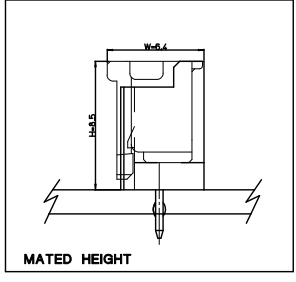
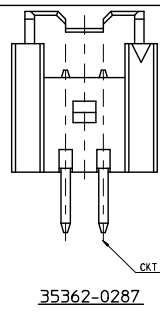
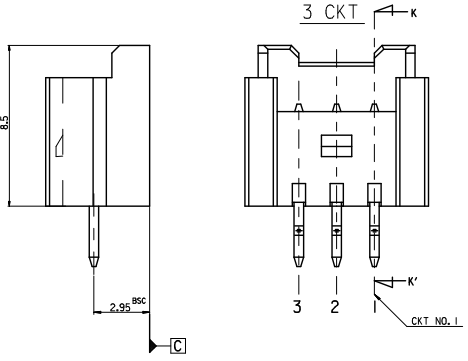
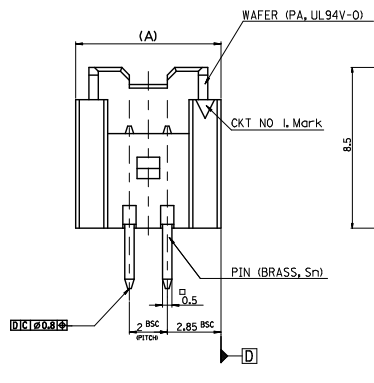
SD-35362-***
CKT NO. COLOR

0	NATURAL
1	BLACK
2	RED
3	YELLOW
4	BLUE
5	GREEN
6	TUBE PACKING (Natural Color)
7	TUBE PACKING (Red Color)
8	TUBE PACKING (Blue Color)

FINAL GOOD (BULK) 5 : SELECTIVE KINK (LEAD FREE)
 6 : NONE KINK (LEAD FREE)

SUB ASSY (TUBE) 7 : SELECTIVE KINK (LEAD FREE)
 8 : NONE KINK (LEAD FREE)

- NOTES**
- MATERIAL : UNFILLED POLYAMIDE, UL94V-0
PIN : BRASS
 - FINISHES : PIN : Tin(Sn) 1-34um OVERALL
 - PRODUCT SPECIFICATION : PS-35507-003
 - MATING HOUSING : 35507-***0
MATING TERMINAL : 50212-8000
 - KINK
- | CKT NO | 1 | 2 | 3 |
|--------|---|---|---|
| 2 CKT | | | |
| 3 CKT | A | B | A |
- | CKT NO | 1 | 2 |
|-------------|---|---|
| PRODUCT NO. | A | B |
| 35362-0287 | A | B |



LEAD FREE

30 over	±0.3
10 over 30 under	±0.25
10 under	±0.2
ANGLE	±3°
GENERAL TOLERANCE	

REVISIONS

REV	DESCRIPTION	DATE
1	DRW:KIM01	2011/08/25
2	CHK:KSKIM	2011/08/26
3	APP:TSKIM02	2011/09/03

7.3	4	9.7	3536203**	35362-03**	3
5.3	2	7.7	3536202**	35362-02**	2
(C)	B	(A)	MATERIAL NO.	ENG. NO.	CKT

QUALITY SYMBOLS		GENERAL TOLERANCES (UNLESS SPECIFIED)		DIMENSION STYLE		SCALE	DESIGN UNITS	THIRD ANGLE PROJECTION	
√=0	√=0	mm	INCH	MM ONLY		5:1	METRIC	THIRD ANGLE PROJECTION	
√=0	√=0	4 PLACES	±---	DRAWN BY	DATE	TITLE			
√=0	√=0	3 PLACES	±---	YSOOKIM	1996/09/11	2.0 W/B WAFER ASSY			
√=0	√=0	2 PLACES	±---	CHECKED BY	DATE	-LEAD FREE-			
√=0	√=0	1 PLACE	±---	JKOH	1996/09/11	molex			
√=0	√=0	0 PLACE	±---	APPROVED BY	DATE	DOCUMENT NO. SD-35362-002			
ANGULAR ±---°		DRAFT WHERE APPLICABLE MUST REMAIN WITHIN DIMENSIONS		MATERIAL NO.		SEE TABLE		SHEET NO. 1 OF 1	
SIZE A3		THIS DRAWING CONTAINS INFORMATION THAT IS PROPRIETARY TO MOLEX INCORPORATED AND SHOULD NOT BE USED WITHOUT WRITTEN PERMISSION							

9 8 7 6 5 4 3 2 1