

## Excellent Integrated System Limited

Stocking Distributor

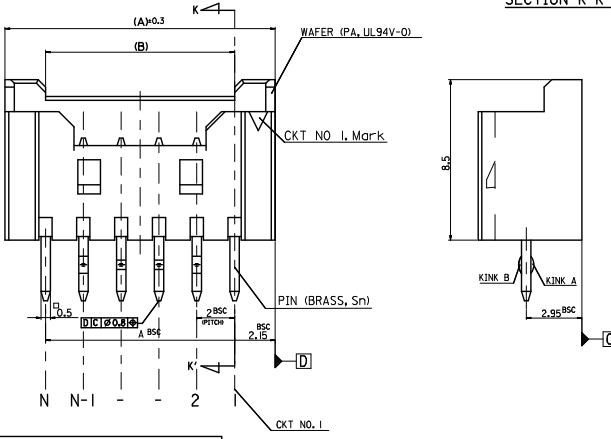
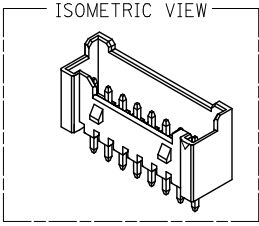
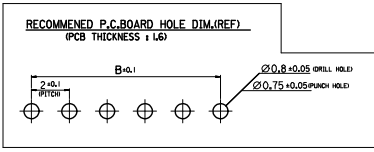
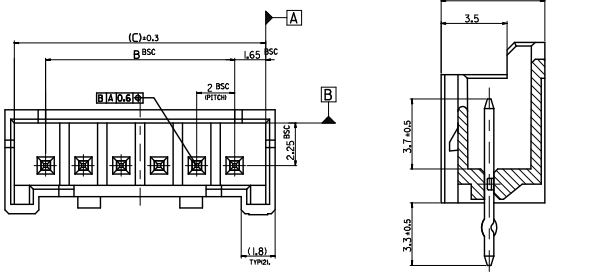
Click to view price, real time Inventory, Delivery & Lifecycle Information:

[Molex Connector Corporation](#)  
[35362-1450](#)

For any questions, you can email us directly:

[sales@integrated-circuit.com](mailto:sales@integrated-circuit.com)

10 9 8 7 6 5 4 3 2 1



**LEGEND**

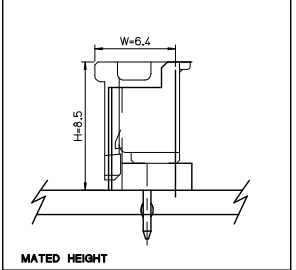
SD-35362-\*\*\*\*  
CKT NO. \_\_\_\_\_ COLOR \_\_\_\_\_

FINAL GOOD (BULK) — 5 : SELECTIVE KINK (LEAD FREE) — 1 : BLACK  
 — 6 : NONE KINK (LEAD FREE) — 2 : RED  
 SUB ASSY (TUBE) — 7 : SELECTIVE KINK (LEAD FREE) — 3 : YELLOW  
 — 8 : NONE KINK (LEAD FREE) — 4 : BLUE  
 — 5 : GREEN  
 — 6 : TUBE PACKING (Natural Color)  
 — 7 : TUBE PACKING (Red Color)  
 — 8 : TUBE PACKING (Blue Color)

- NOTES**
1. MATERIAL : UNFILLED POLYAMIDE, UL94V-0  
PIN : BRASS
  2. FINISHES : PIN : TinSn 1-3µm OVERALL
  3. PRODUCT SPECIFICATION : PS-35507-003
  4. MATING HOUSING : 35507-\*\*\*0\*
  5. MATING TERMINAL : 50212-8000
  6. KINK

31.3	28	32.3	3536215**	35362-15**	I5
29.3	26	30.3	3536214**	35362-14**	I4
27.3	24	28.3	3536213**	35362-13**	I3
25.3	22	26.3	3536212**	35362-12**	I2
23.3	20	24.3	3536211**	35362-11**	I1
21.3	18	22.3	3536210**	35362-10**	I0
19.3	16	20.3	3536209**	35362-09**	9
17.3	14	18.3	3536208**	35362-08**	8
15.3	12	16.3	3536207**	35362-07**	7
13.3	10	14.3	3536206**	35362-06**	6
11.3	8	12.3	3536205**	35362-05**	5
9.3	6	10.3	3536204**	35362-04**	4

CKT NO	1	2	3	4	5	N-2	N-1	N
6 CKT OVER	-	A	B	-	-	B	A	-
5 CKT	A	B	-	B	A			
4 CKT	A	B	B	A				



**LEAD FREE**

30 over	±0.3
10 over 30 under	±0.25
10 under	±0.2
ANGLE	±3°
GENERAL TOLERANCE	

**REVISIONS**

REV	DESCRIPTION	DATE
1	EC NO: KOR2015-0019	2014/08/25
2	TIDRWNKY/M01	2014/08/26
3	CHKCKSKIM	2014/08/26
4	APPR:YSK/MDZ	2014/09/03

**QUALITY SYMBOLS**

▽=0  
▽=0  
▽=0

**GENERAL TOLERANCES (UNLESS SPECIFIED)**

	mm	INCH
4 PLACES	±---	±---
3 PLACES	±---	±---
2 PLACES	±---	±---
1 PLACE	±---	±---
0 PLACE	±	±

ANGULAR ±---°  
DRAFT WHERE APPLICABLE MUST REMAIN WITHIN DIMENSIONS

**DIMENSION STYLE**  
MM ONLY

SCALE 5:1  
DESIGN UNITS METRIC  
THIRD ANGLE PROJECTION

DRAWN BY YS00KIM DATE 1996/09/11  
CHECKED BY YS00KIM DATE 1996/09/11  
APPROVED BY \_\_\_\_\_ DATE \_\_\_\_\_

2.0 W/B WAFER ASS'Y  
-LEAD FREE-

**molex**

DOCUMENT NO. SD-35362-002 SHEET NO. 1 OF 1

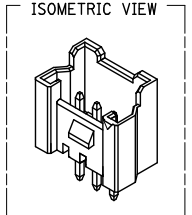
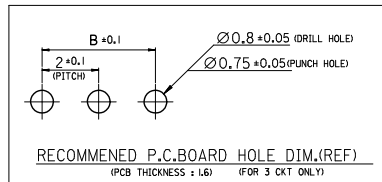
THIS DRAWING CONTAINS INFORMATION THAT IS PROPRIETARY TO MOLEX INCORPORATED AND SHOULD NOT BE USED WITHOUT WRITTEN PERMISSION

9 8 7 6 5 4 3 2 1

10 9 8 7 6 5 4 3 2 1

FOR 2 & 3 CKTS.

SECTION K-K'  
ONLY 3 CKT



**LEGEND**

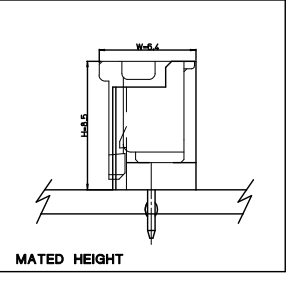
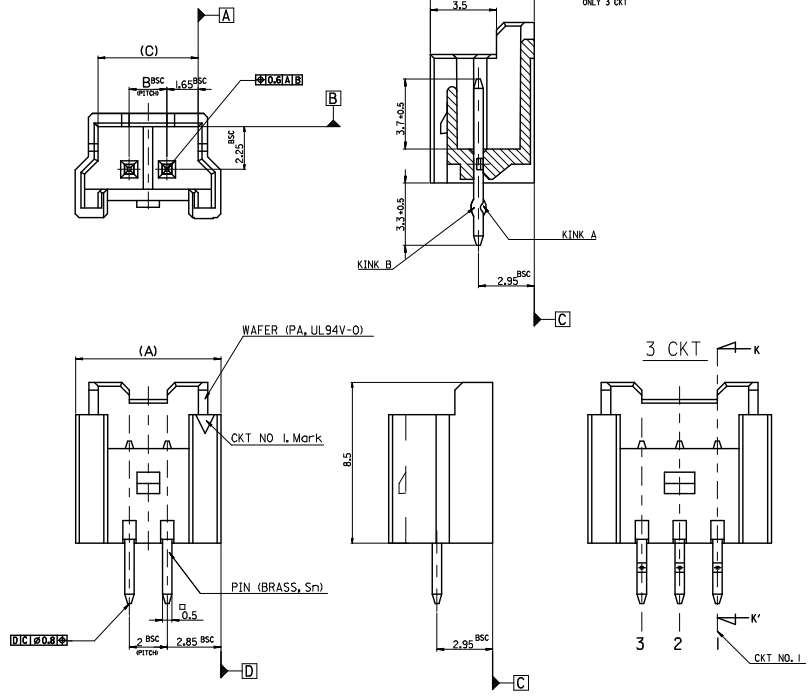
SD-35362-\*\*\*  
CKT NO.      COLOR

0	NATURAL
1	BLACK
2	RED
3	YELLOW
4	BLUE
5	GREEN
6	TUBE PACKING (Natural Color)
7	TUBE PACKING (Red Color)
8	TUBE PACKING (Blue Color)

FINAL GOOD (BULK)    5 : SELECTIVE KINK (LEAD FREE)  
                                  6 : NONE KINK (LEAD FREE)

SUB ASSY (TUBE)    7 : SELECTIVE KINK (LEAD FREE)  
                                  8 : NONE KINK (LEAD FREE)

- NOTES**
- MATERIAL : UNFILLED POLYAMIDE, UL94V-0  
PIN : BRASS
  - FINISHES : PIN : Tin(Sn) 1-34um OVERALL
  - PRODUCT SPECIFICATION : PS-35507-003
  - MATING HOUSING : 35507-\*\*\*0  
MATING TERMINAL : 50212-8000
  - KINK
- | CKT NO | 1 | 2 | 3 |
|--------|---|---|---|
| 2 CKT  |   |   |   |
| 3 CKT  | A | B | A |
- | CKT NO      | 1 | 2 |
|-------------|---|---|
| PRODUCT NO. | A | B |
| 35362-0287  | A | B |



7.3	4	9.7	3536203**	35362-03**	3
5.3	2	7.7	3536202**	35362-02**	2
(C)	B	(A)	MATERIAL NO.	ENG. NO.	CKT

<b>LEAD FREE</b>		REVISED IEC NO: KOR2015-0019 TDR: WNKI M01 2014/08/25 CHK: KSK I W 2014/08/26 APPR: TSK I M02 2014/09/03 DESCRIPTION REV	QUALITY SYMBOLS	GENERAL TOLERANCES (UNLESS SPECIFIED)	DIMENSION STYLE	SCALE	DESIGN UNITS	THIRD ANGLE PROJECTION
30 over	±0.3		mm	4 PLACES ±	MM ONLY	5:1	METRIC	☉
10 over 30 under	±0.25		INCH	3 PLACES ±	DRAWN BY			
10 under	±0.2			2 PLACES ±	YSOOKIM	DATE		
ANGLE	±3°			1 PLACE ±	JKOH	1996/09/11		
GENERAL TOLERANCE			0 PLACE ±		DATE			
			ANGULAR ±---°	MATERIAL NO.				
			DRAFT WHERE APPLICABLE MUST REMAIN WITHIN DIMENSIONS	SEE TABLE	DOCUMENT NO.			
				THIS DRAWING CONTAINS INFORMATION THAT IS PROPRIETARY TO MOLEX INCORPORATED AND SHOULD NOT BE USED WITHOUT WRITTEN PERMISSION	SD-35362-002			
					SHEET NO.			
					1 OF 1			

10 9 8 7 6 5 4 3 2 1