

Excellent Integrated System Limited

Stocking Distributor

Click to view price, real time Inventory, Delivery & Lifecycle Information:

[KEMET](#)
[B76306E6879M010](#)

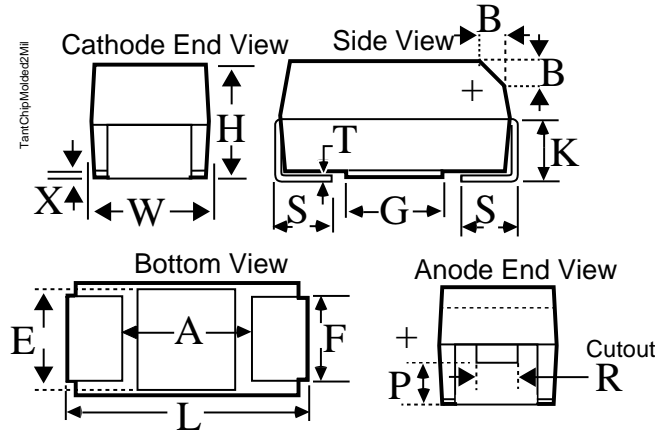
For any questions, you can email us directly:

sales@integrated-circuit.com

B76306E6879M010

aka T530X687M006ZTE010

Capacitor, tantalum, 680 uF, 7343, +/-20% Tol, 6.3V@85C



Cutout at KEMET's option (either end);
 see note about P and R dimensions and cutout.

Dimensions (mm)

Specifications

| ID | Dimension | Tolerance | Manufacturer: | KEMET |
|----|-----------|-----------|---------------------|-------------|
| L | 7.3 | +/-0.3 | Capacitance: | 680 uF |
| W | 4.3 | +/-0.3 | Voltage DC @ 85C: | 6.3V |
| H | 4 | +/-0.3 | Voltage DC @ 105C: | 5V |
| K | 2.3 | +/-0.2 | Tolerance: | +/-20% |
| F | 2.4 | +/-0.1 | Application: | Low ESR |
| S | 1.3 | +/-0.3 | Body Type: | Molded Chip |
| B | 0.5 | +/-0.15 | Temperature Range: | -55/+105C |
| X | 0.1 | ref | ESR: | 10 mOhm |
| P | 1.7 | ref | Footprint: | 7343 |
| R | 1 | 0.13 | Termination: | Tin |
| | | | Leakage Current: | 428 uA |
| | | | Dissipation Factor: | 10% |
| | | | Ripple @ 25C: | 5.2 A |
| | | | Ripple @ 85C: | 4.6 A |
| | | | Ripple @ 105C: | 2.1 A |
| | | | Package Kind: | T&R |
| | | | Package Quantity: | 400 |

Notes:

-E