



Excellent Integrated System Limited

Stocking Distributor

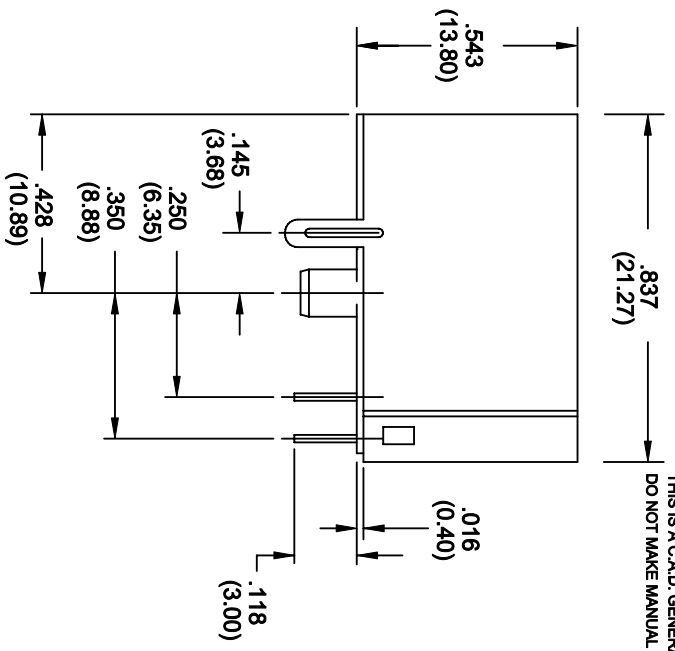
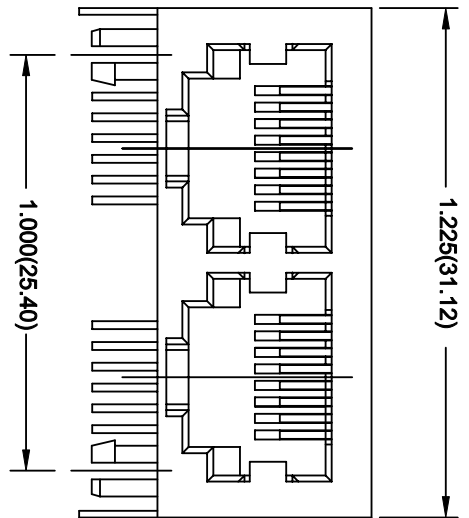
Click to view price, real time Inventory, Delivery & Lifecycle Information:

[EDAC Inc.](#)

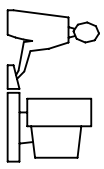
[A00-216-662-450](#)

For any questions, you can email us directly:

sales@integrated-circuit.com



THIS IS A CAD GENERATED DRAWING
 DO NOT MAKE MANUAL REVISIONS TO MASTER.



ISSUE NUMBER
ORIGINAL ①
.067 DIA HOLE WAS .032 F. BRIONES JUL. 27/06 ③
CONTACT IDENTIFICATION ADDED F. BRIONES FEB. 19/07 ④

NOTES

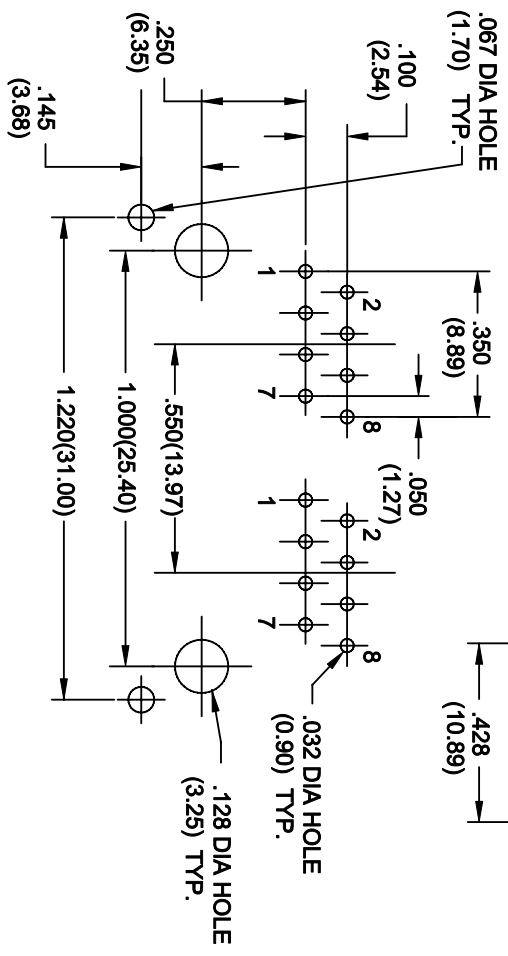
MATERIAL AND FINISH:

BODY: HOUSING: PBT POLYESTER
 UL94V-0 RATED, MIXED GLASS FIBER.
 STANDARD COLOR: BLACK

CONTACTS: PHOSPHOR BRONZE(0.45mm DIA.)
 PLATED AS PER PART NO. TABLE

SHIELD: 0.23mm THICK COPPER ALLOY
 PLATED NICKEL

CAVITY CONFORMS TO FCC RULES AND
 REGULATIONS PART 68, SUBPART F



PC BOARD LAYOUT



THIS SERIES FULLY CONFORMS TO THE
 EUROPEAN UNION DIRECTIVES 2002/95/EC
 AND 2002/96/EC FOR ROHS COMPLIANCY.

DUAL 8P FULL SHIELDED JACK (GROUND AT FRONT)



EDAC INC.
 TORONTO, ONTARIO
 CANADA
 YOUR CONNECTION TO QUALITY & SERVICE

THESE DRAWINGS AND SPECIFICATIONS
 ARE THE PROPERTY OF EDAC INC. AND
 OR USED AS THE BASIS FOR THE
 MANUFACTURE OR SALE OF APPARATUS
 WITHOUT WRITTEN PERMISSION.

ACAD REF. DRAWING:	A00-216-262-450
DRAWN: F. BRIONES	DATE: SEP. 17/01
CHECKED:	DATE:
SCALE: 1:1	SHEET 1 OF 1
DRAWING NUMBER	ISSUE
A00-216-262-450	4

- A00-216-262-450 GOLD FLASH
- A00-216-362-450 15 MICRONS OF GOLD
- A00-216-662-450 30 MICRONS OF GOLD
- A00-216-962-450 50 MICRONS OF GOLD