



**Distributor of EDAC Inc.: Excellent Integrated System Limited**

Datasheet of 690-004-660-013 - Connector Receptacle USB TypeA 2.0 4 Position Through Hole, Vertical

Contact us: [sales@integrated-circuit.com](mailto:sales@integrated-circuit.com) Website: [www.integrated-circuit.com](http://www.integrated-circuit.com)

---

## **Excellent Integrated System Limited**

Stocking Distributor

Click to view price, real time Inventory, Delivery & Lifecycle Information:

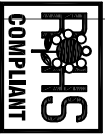
[EDAC Inc.](#)

[690-004-660-013](tel:690-004-660-013)

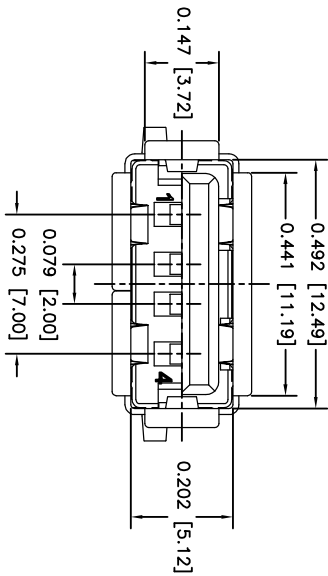
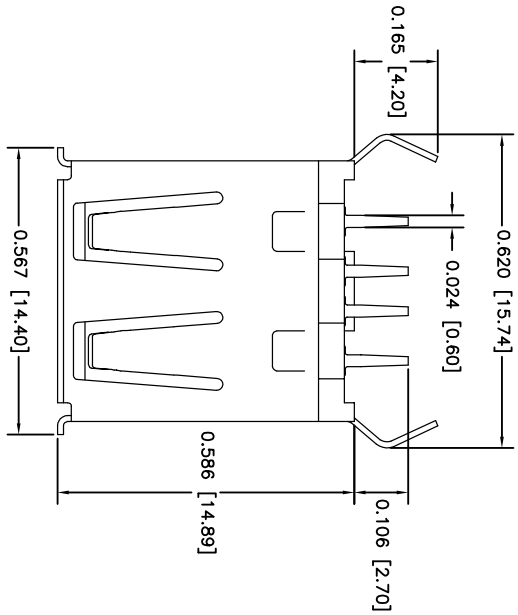
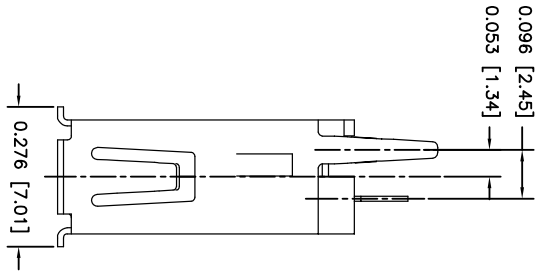
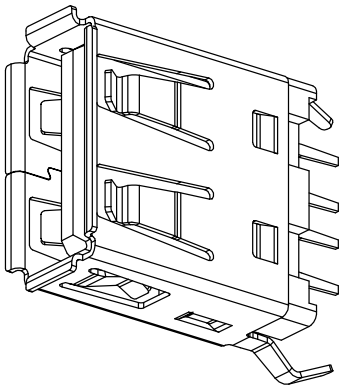
For any questions, you can email us directly:

[sales@integrated-circuit.com](mailto:sales@integrated-circuit.com)

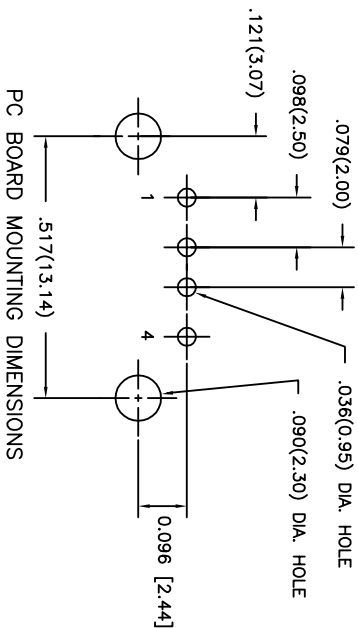
Contact us: [sales@integrated-circuit.com](mailto:sales@integrated-circuit.com) Website: [www.integrated-circuit.com](http://www.integrated-circuit.com)



THIS SERIES FULLY CONFORMS TO THE EUROPEAN UNION DIRECTIVES 2011/65/EU FOR ROHS COMPLIANCY.



GENERAL TOLERANCES: ±.010(0.25) EXCEPT ON PCB LAYOUT AND CONTACTS SPACING ±.006(0.15)



**ELECTRICAL:**

RATED CURRENT: 1.5A  
 RATED VOLTAGE: 30V (rms) MAX  
 FORCES:

MATING FORCE: 35N MAX  
 UNMATING FORCE: 10N MIN

**MATERIALS:**

SHELL: COPPER ALLOY, NICKEL PLATED  
 CONTACTS: COPPER ALLOY GOLD PLATE ON CONTACT AREA  
 TIN ON TAIL END  
 GOLD FLASH  
 30 MICRONS OF GOLD

INSULATOR: THERMOPLASTIC (HIGH TEMPERATURE RESISTANCE)  
 PART NUMBER: 690-004-260-013  
 CONTACT CODE \_\_\_\_\_

ISSUE NUMBER
REDRAWN AND PIN# ADDED ON BOARD LAY OUT (4)
N.SONDH DEC.09/08 (4)
RE-DWG. APR.22/08 (5)
F.BRIONES SEP.14/08 (6)
RE-DWG. SEP.14/08 (6)
REMOVE 15u" GOLD R.STAMONICA JUN.29/10 (7)
R.STAMONICA JUN.29/10 (7)
TAILS DIM'S ADDED F.BRIONES JUN.22/11 (8)
TOLERANCES ADDED F.BRIONES JUN.29/11 (9)
ADD NOTES FORCES (10)
R.STAMONICA JUN.26/14 (1)
NEW METAL SHELL R.STAMONICA SEPT.12/14 (2)
ADD ELEC. SPECS R.STAMONICA APR.11/2016 (2)

**USB CONNECTOR A TYPE, VERTICAL, SINGLE DECK**

**EDAC INC**  
 TORONTO, ONTARIO  
 CANADA  
 YOUR CONNECTION TO QUALITY & SERVICE

THESE DRAWINGS AND SPECIFICATIONS ARE THE PROPERTY OF EDAC INC. AND SHALL NOT BE REPRODUCED OR COPIED OR USED AS THE BASIS FOR THE MANUFACTURE OR SALE OF APPARATUS WITHOUT WRITTEN PERMISSION.

ACAD REFERENCE NO. 690-004-260-013

DRAWN: J.CHOW DATE: OCT 16/98

CHECKED: DATE:

SCALE: (IN C.A.D. 1:1) SHEET 1 OF 1

DRAWING NUMBER

690-004-260-013 ISSUE 12