

Excellent Integrated System Limited

Stocking Distributor

Click to view price, real time Inventory, Delivery & Lifecycle Information:

[Texas Instruments](#)
[REF3212AIDBVT](#)

For any questions, you can email us directly:

sales@integrated-circuit.com



REF3212, REF3220
REF3225, REF3230
REF3233, REF3240

www.ti.com

SBVS058C – JUNE 2005 – REVISED AUGUST 2011

4ppm/°C, 100µA, SOT23-6 SERIES VOLTAGE REFERENCE

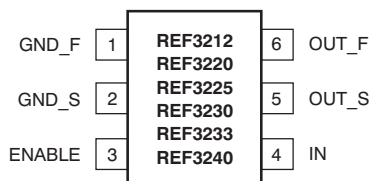
Check for Samples: [REF3212](#), [REF3220](#), [REF3225](#), [REF3230](#), [REF3233](#), [REF3240](#)

FEATURES

- **Excellent Specified Drift Performance:**
 - 7ppm/°C (max) at 0°C to +125°C
 - 20ppm/°C (max) at –40°C to +125°C
- **Microsize Package: SOT23-6**
- **High Output Current: ±10mA**
- **High Accuracy: 0.01%**
- **Low Quiescent Current: 100µA**
- **Low Dropout: 5mV**

APPLICATIONS

- **Portable Equipment**
- **Data Acquisition Systems**
- **Medical Equipment**
- **Test Equipment**



DESCRIPTION

The REF32xx is a very low drift, micropower, low-dropout, precision voltage reference family available in the tiny SOT23-6 package.

The small size and low power consumption (120µA max) of the REF32xx make it ideal for portable and battery-powered applications. This reference is stable with any capacitive load.

The REF32xx can be operated from a supply as low as 5mV above the output voltage, under no load conditions. All models are specified for the wide temperature range of –40°C to +125°C.

AVAILABLE OUTPUT VOLTAGES

PRODUCT	VOLTAGE
REF3212	1.25V
REF3220	2.048V
REF3225	2.5V
REF3230	3.0V
REF3233	3.3V
REF3240	4.096



Please be aware that an important notice concerning availability, standard warranty, and use in critical applications of Texas Instruments semiconductor products and disclaimers thereto appears at the end of this data sheet.

All trademarks are the property of their respective owners.

REF3212, REF3220
REF3225, REF3230
REF3233, REF3240

SBVS058C –JUNE 2005–REVISED AUGUST 2011

www.ti.com



This integrated circuit can be damaged by ESD. Texas Instruments recommends that all integrated circuits be handled with appropriate precautions. Failure to observe proper handling and installation procedures can cause damage.

ESD damage can range from subtle performance degradation to complete device failure. Precision integrated circuits may be more susceptible to damage because very small parametric changes could cause the device not to meet its published specifications.

PACKAGE INFORMATION⁽¹⁾

PRODUCT	OUTPUT VOLTAGE	PACKAGE-LEAD	PACKAGE DESIGNATOR	PACKAGE MARKING
REF3212	1.25V	SOT23-6	DBV	R32A
REF3220	2.048V	SOT23-6	DBV	R32B
REF3225	2.5V	SOT23-6	DBV	R32C
REF3230	3.0V	SOT23-6	DBV	R32D
REF3233	3.3V	SOT23-6	DBV	R32E
REF3240	4.096	SOT23-6	DBV	R32F

(1) For the most current package and ordering information see the Package Option Addendum at the end of this document, or visit the device product folder at www.ti.com.

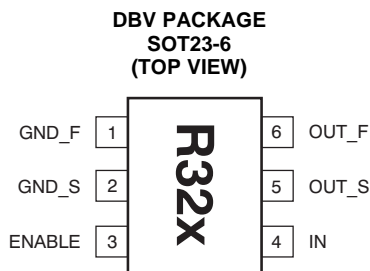
ABSOLUTE MAXIMUM RATINGS⁽¹⁾

Over operating free-air temperature range (unless otherwise noted).

	REF32xx	UNIT
Input voltage	+7.5	V
Output short-circuit	Continuous	
Operating temperature	-55 to +135	°C
Storage temperature	-65 to +150	°C
Junction temperature	+150	°C
ESD ratings	Human body model (HBM)	4
	Charged device model (CDM)	1
	Machine model (MM)	400

(1) Stresses above these ratings may cause permanent damage. Exposure to absolute maximum conditions for extended periods may degrade device reliability. These are stress ratings only, and functional operation of the device at these or any other conditions beyond those specified is not implied.

PIN CONFIGURATION



NOTE:: The location of pin 1 on the REF32xx is determined by orienting the package marking as shown in the diagram above.

PIN DESCRIPTIONS

PIN		FUNCTION	DESCRIPTION
NAME	NO.		
ENABLE	3	Digital input	This pin enables and disables the device
GND_F	1	Analog output	Ground connection of the device
GND_S	2	Analog input	Ground sense at the load
IN	4	Analog input	Positive supply voltage
OUT_F	6	Analog output	Output of Reference Voltage
OUT_S	5	Analog input	Sense connection at the load

ELECTRICAL CHARACTERISTICS

Boldface limits apply over the listed temperature range.

At $T_A = +25^\circ\text{C}$, $I_{\text{LOAD}} = 0\text{mA}$, and $V_{\text{IN}} = 5\text{V}$, unless otherwise noted.

PARAMETER	CONDITIONS	REF32xx			UNIT
		MIN	TYP	MAX	
REF3212 (1.25V)					
OUTPUT VOLTAGE, V_{OUT}		1.2475	1.25	1.2525	V
Initial accuracy		-0.2	0.01	0.2	%
NOISE					
Output voltage noise	f = 0.1Hz to 10Hz		17		μV_{PP}
Voltage noise	f = 10Hz to 10kHz		24		μV_{RMS}
REF3220 (2.048V)					
OUTPUT VOLTAGE, V_{OUT}		2.044	2.048	2.052	V
Initial accuracy		-0.2	0.01	0.2	%
NOISE					
Output voltage noise	f = 0.1Hz to 10Hz		27		μV_{PP}
Voltage noise	f = 10Hz to 10kHz		39		μV_{RMS}
REF3225 (2.5V)					
OUTPUT VOLTAGE, V_{OUT}		2.495	2.50	2.505	V
Initial accuracy		-0.2	0.01	0.2	%
NOISE					
Output voltage noise	f = 0.1Hz to 10Hz		33		μV_{PP}
Voltage noise	f = 10Hz to 10kHz		48		μV_{RMS}
REF3230 (3V)					
OUTPUT VOLTAGE, V_{OUT}		2.994	3	3.006	V
Initial accuracy		-0.2	0.01	0.2	%
NOISE					
Output voltage noise	f = 0.1Hz to 10Hz		39		μV_{PP}
Voltage noise	f = 10Hz to 10kHz		57		μV_{RMS}
REF3233 (3.3V)					
OUTPUT VOLTAGE, V_{OUT}		3.293	3.3	3.307	V
Initial accuracy		-0.2	0.01	0.2	%
NOISE					
Output voltage noise	f = 0.1Hz to 10Hz		43		μV_{PP}
Voltage noise	f = 10Hz to 10kHz		63		μV_{RMS}
REF3240 (4.096V)					
OUTPUT VOLTAGE, V_{OUT}		4.088	4.096	4.104	V
Initial accuracy		-0.2	0.01	0.2	%
NOISE					
Output voltage noise	f = 0.1Hz to 10Hz		53		μV_{PP}
Voltage noise	f = 10Hz to 10kHz		78		μV_{RMS}

REF3212, REF3220
REF3225, REF3230
REF3233, REF3240

SBVS058C –JUNE 2005–REVISED AUGUST 2011

www.ti.com

ELECTRICAL CHARACTERISTICS (continued)
Boldface limits apply over the listed temperature range.

 At $T_A = +25^\circ\text{C}$, $I_{\text{LOAD}} = 0\text{mA}$, and $V_{\text{IN}} = 5\text{V}$, unless otherwise noted.

PARAMETER	CONDITIONS	REF32xx			UNIT
		MIN	TYP	MAX	
REF3212 / REF3220 / REF3225 / REF3230 / REF3233 / REF3240					
OUTPUT VOLTAGE TEMP DRIFT dV_{OUT}/dT	$0^\circ\text{C} \leq T_A \leq +125^\circ\text{C}$		4	7	ppm/°C
	$-40^\circ\text{C} \leq T_A \leq +125^\circ\text{C}$		10.5	20	ppm/°C
LONG-TERM STABILITY	0 to 1000h		55		ppm
LINE REGULATION	$V_{\text{OUT}} + 0.05^{(1)} \leq V_{\text{IN}} \leq 5.5\text{V}$	-65	15	+65	ppm/V
LOAD REGULATION ⁽²⁾ $dV_{\text{OUT}}/dI_{\text{LOAD}}$	Sourcing $0\text{mA} < I_{\text{LOAD}} < 10\text{mA}$, $V_{\text{IN}} = V_{\text{OUT}} + 250\text{mV}^{(1)}$	-40	3	40	$\mu\text{V}/\text{mA}$
	Sinking $-10\text{mA} < I_{\text{LOAD}} < 0\text{mA}$, $V_{\text{IN}} = V_{\text{OUT}} + 100\text{mV}^{(1)}$	-60	20	60	$\mu\text{V}/\text{mA}$
THERMAL HYSTERESIS ⁽³⁾ dT	First cycle		100		ppm
	Additional cycles		25		ppm
DROPOUT VOLTAGE ⁽¹⁾ $V_{\text{IN}} - V_{\text{OUT}}$	$0^\circ\text{C} \leq T_A \leq +125^\circ\text{C}$		5	50	mV
OUTPUT CURRENT I_{LOAD}	$V_{\text{IN}} = V_{\text{OUT}} + 250\text{mV}^{(1)}$	-10		10	mA
SHORT-CIRCUIT CURRENT I_{SC}	Sourcing		50		mA
	Sinking		40		mA
TURN-ON SETTLING TIME	To 0.1% at $V_{\text{IN}} = 5\text{V}$ with $C_L = 0$		60		μs
ENABLE/SHUTDOWN ⁽⁴⁾	V_L Reference in Shutdown mode	0		0.7	V
	V_H Reference is active	1.5		V_{IN}	V
POWER SUPPLY	Voltage V_{IN}		$V_{\text{OUT}} + 0.05^{(1)}$	5.5	V
	Current I_Q	ENABLE > 1.5V		100	μA
	Over temperature	$0^\circ\text{C} \leq T_A \leq +125^\circ\text{C}$		115	μA
	Shutdown I_S	ENABLE < 0.7V		0.1	1 μA
TEMPERATURE RANGE	Specified	-40		+125	°C
	Operating	-55		+135	°C
	Storage	-65		+150	°C
	Thermal resistance, SOT23-6 θ_{JA}		200		°C/W

(1) The minimum supply voltage for the REF3212 is 1.8V.

 (2) Load regulation is using force and sense lines; see the [Load Regulation](#) section for more information.

(3) Thermal hysteresis procedure is explained in more detail in the Applications Information TBD section.

 (4) If the rise time of the input voltage is less than or equal to 2ms, the ENABLE and IN pins can be tied together. For rise times greater than 2ms, see the [Supply Voltage](#) section.

TYPICAL CHARACTERISTICS

At $T_A = +25^\circ\text{C}$, $I_{\text{LOAD}} = 0\text{mA}$, $V_{\text{IN}} = +5\text{V}$ power supply, and REF3225 used for typical characteristics, unless otherwise noted.

TEMPERATURE DRIFT (0°C to +125°C)

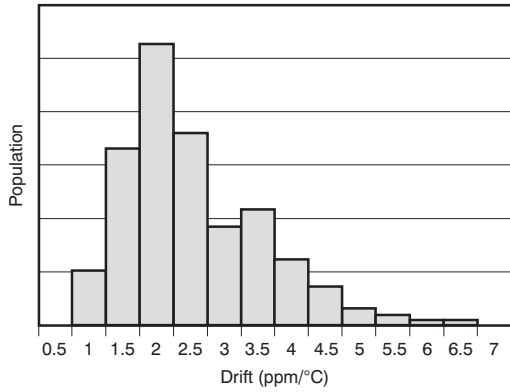


Figure 1.

TEMPERATURE DRIFT (-40°C to +125°C)

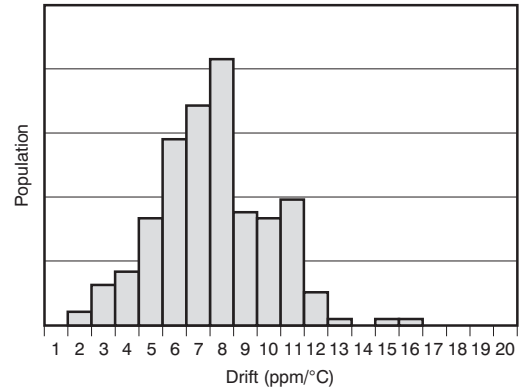


Figure 2.

OUTPUT VOLTAGE ACCURACY vs TEMPERATURE

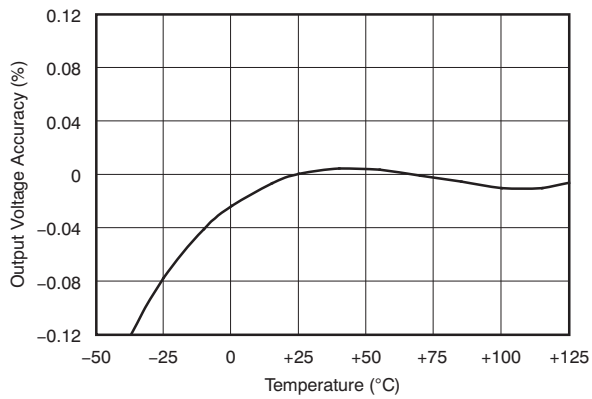


Figure 3.

DROPOUT VOLTAGE vs LOAD CURRENT

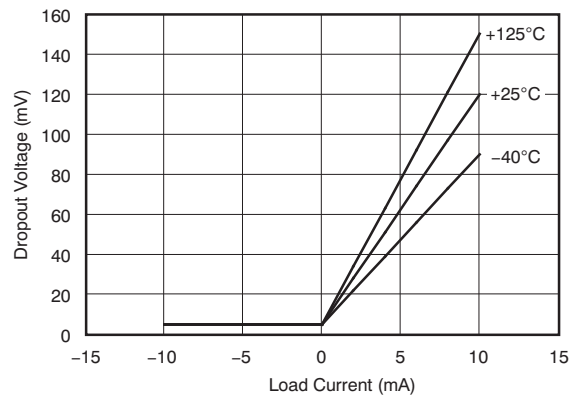


Figure 4.

QUIESCENT CURRENT vs TEMPERATURE

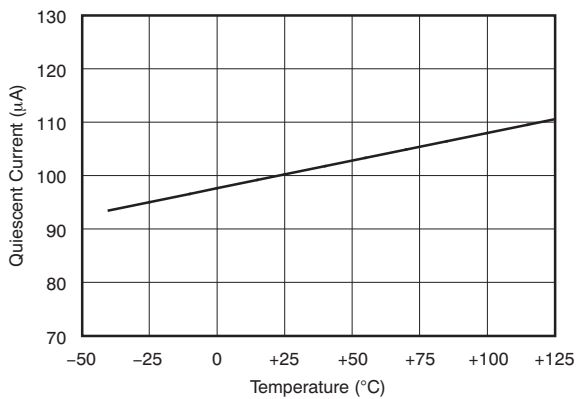


Figure 5.

POWER-SUPPLY REJECTION RATIO vs FREQUENCY

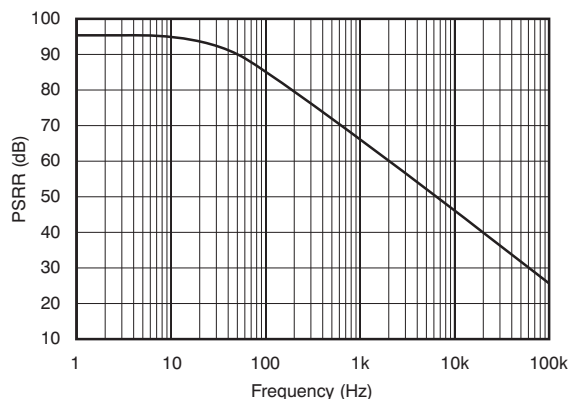


Figure 6.

REF3212, REF3220
REF3225, REF3230
REF3233, REF3240

TYPICAL CHARACTERISTICS (continued)

At $T_A = +25^\circ\text{C}$, $I_{\text{LOAD}} = 0\text{mA}$, $V_{\text{IN}} = +5\text{V}$ power supply, and REF3225 used for typical characteristics, unless otherwise noted.

OUTPUT VOLTAGE vs INPUT VOLTAGE (REF3212)

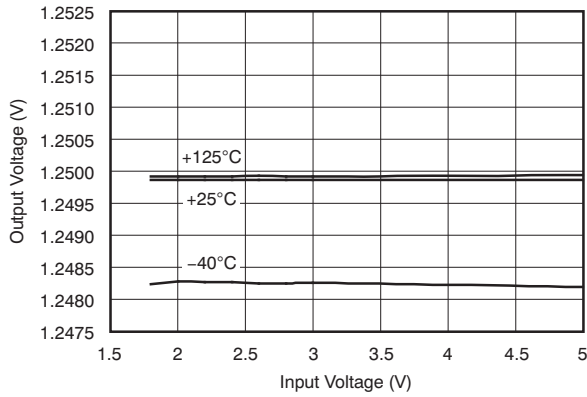


Figure 7.

OUTPUT VOLTAGE vs LOAD CURRENT

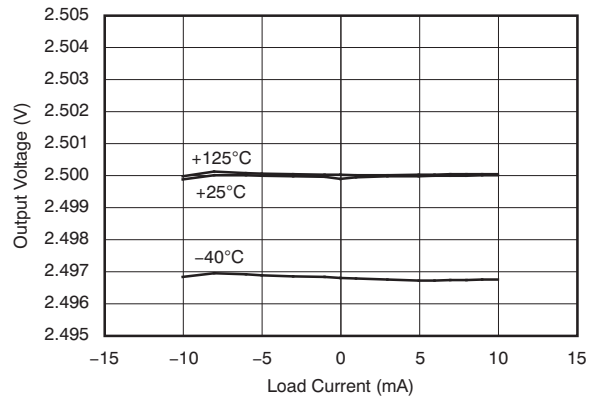


Figure 8.

0.1Hz TO 10Hz NOISE

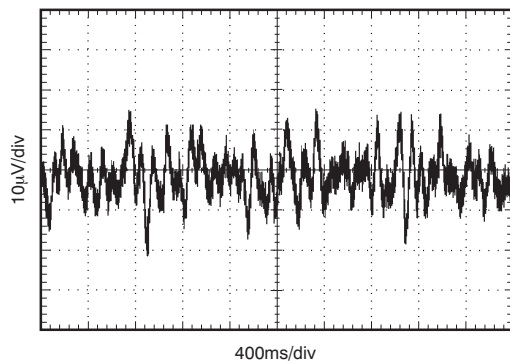


Figure 9.

OUTPUT VOLTAGE INITIAL ACCURACY

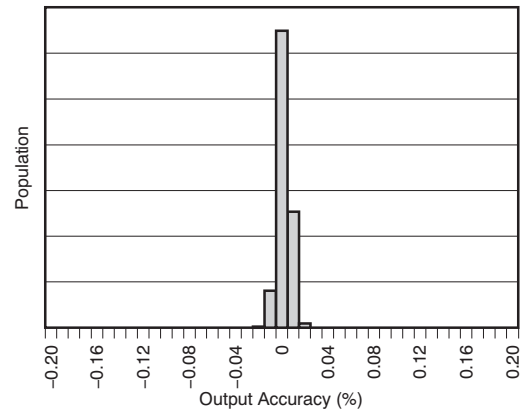


Figure 10.

STEP RESPONSE
 $C_L = 0\text{pF}$, 5V STARTUP

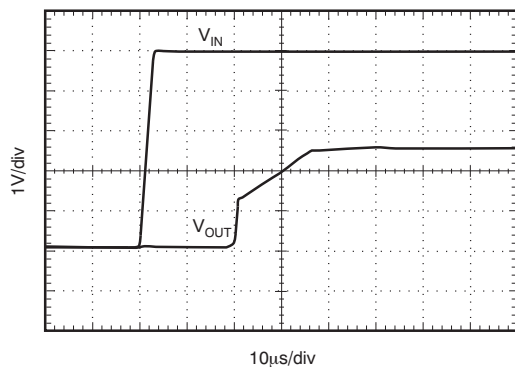


Figure 11.

STEP RESPONSE
 $C_L = 1\mu\text{F}$

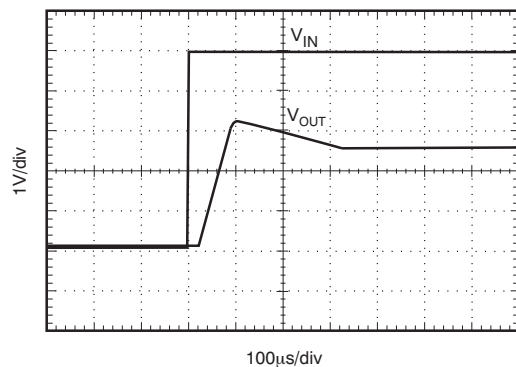


Figure 12.

TYPICAL CHARACTERISTICS (continued)

At $T_A = +25^\circ\text{C}$, $I_{\text{LOAD}} = 0\text{mA}$, $V_{\text{IN}} = +5\text{V}$ power supply, and REF3225 used for typical characteristics, unless otherwise noted.

LINE TRANSIENT
 $C_L = 0\text{pF}$

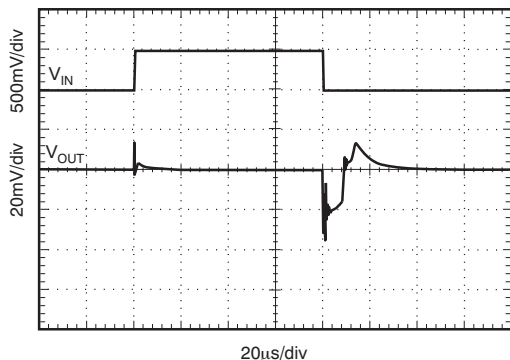


Figure 13.

LINE TRANSIENT
 $C_L = 10\mu\text{F}$

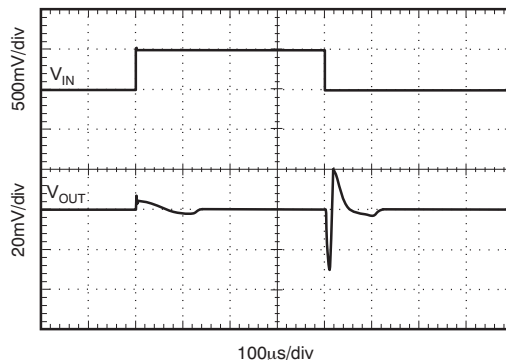


Figure 14.

LOAD TRANSIENT
 $C_L = 0\text{pF}$, $\pm 10\text{mA}$ OUTPUT PULSE

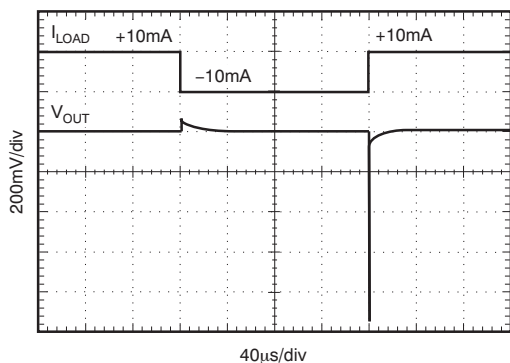


Figure 15.

LOAD TRANSIENT
 $C_L = 1\mu\text{F}$, $\pm 10\text{mA}$ OUTPUT PULSE

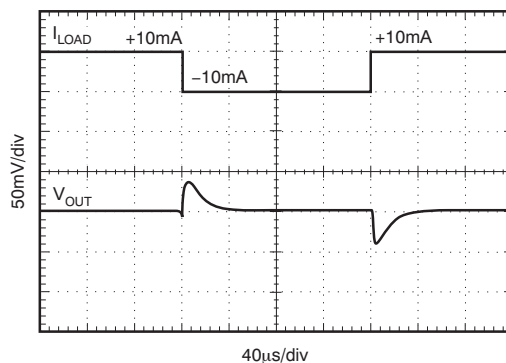


Figure 16.

LOAD TRANSIENT
 $C_L = 0\text{pF}$, $\pm 1\text{mA}$ OUTPUT PULSE

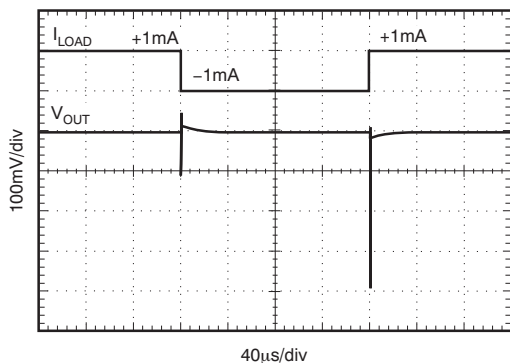


Figure 17.

LOAD TRANSIENT
 $C_L = 1\mu\text{F}$, $\pm 1\text{mA}$ OUTPUT PULSE

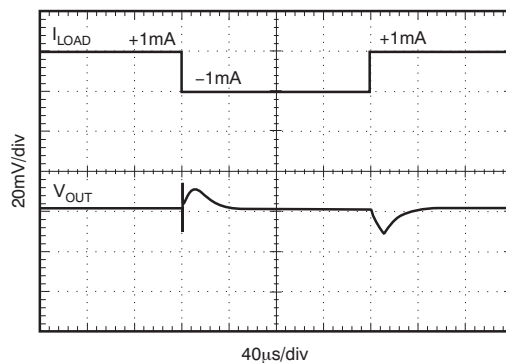
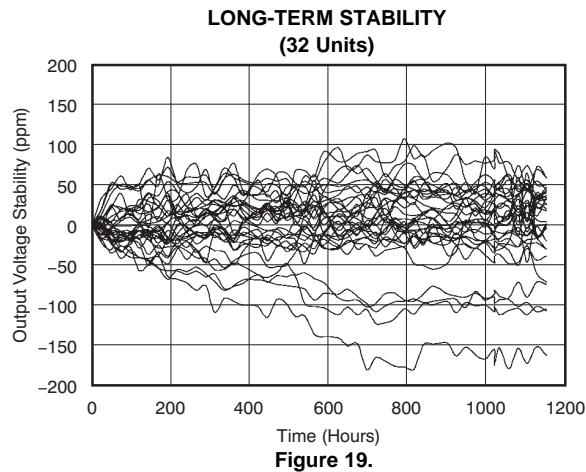


Figure 18.

TYPICAL CHARACTERISTICS (continued)

At $T_A = +25^\circ\text{C}$, $I_{\text{LOAD}} = 0\text{mA}$, $V_{\text{IN}} = +5\text{V}$ power supply, and REF3225 used for typical characteristics, unless otherwise noted.



THEORY OF OPERATION

GENERAL DESCRIPTION

The REF32xx is a family of CMOS, precision bandgap voltage references. Figure 20 shows the basic bandgap topology. Transistors Q_1 and Q_2 are biased so that the current density of Q_1 is greater than that of Q_2 . The difference of the two base-emitter voltages ($V_{be1} - V_{be2}$) has a positive temperature coefficient and is forced across resistor R_1 . This voltage is amplified and added to the base-emitter voltage of Q_2 , which has a negative temperature coefficient. The resulting output voltage is virtually independent of temperature.

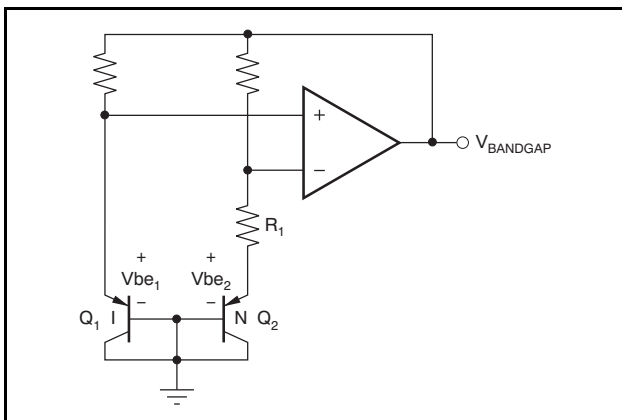


Figure 20. Simplified Schematic of Bandgap Reference

APPLICATION INFORMATION

The REF32xx does not require a load capacitor and is stable with any capacitive load. Figure 21 shows typical connections required for operation of the REF32xx. A supply bypass capacitor of $0.47\mu\text{F}$ is recommended.

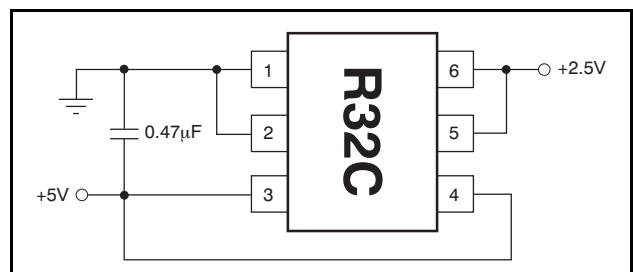


Figure 21. Typical Operating Connections for the REF3225

SUPPLY VOLTAGE

The REF32xx family of references features an extremely low dropout voltage. With the exception of the REF3212, which has a minimum supply requirement of 1.8V, these references can be operated with a supply of only 5mV above the output voltage in an unloaded condition. For loaded conditions, a typical dropout voltage versus load is shown in the Typical Characteristic curves.

The REF32xx also features a low quiescent current of 100µA, with a maximum quiescent current over temperature of just 135µA. The quiescent current typically changes less than 2µA over the entire supply range, as shown in Figure 22.

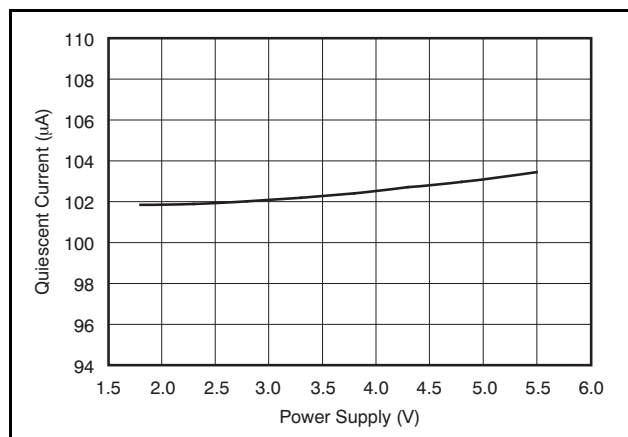


Figure 22. Supply Current vs Supply Voltage

Supply voltages below the specified levels can cause the REF32xx to momentarily draw currents greater than the typical quiescent current. This momentary current draw can be prevented by using a power supply with a fast rising edge and low output impedance.

For optimal startup when the IN pin and ENABLE pin are tied together, keep the input voltage rise time less than or equal to 2ms. For rise times greater than 2ms, the ENABLE pin must be kept below 0.7V until the voltage at the IN pin has reached the minimum operating voltage. One way to control the voltage at the ENABLE pin is with an additional RC filter, such as that shown in Figure 23. The RC filter must hold the voltage at the ENABLE pin below the threshold voltage until the voltage at the input pin has reached the minimum operating voltage.

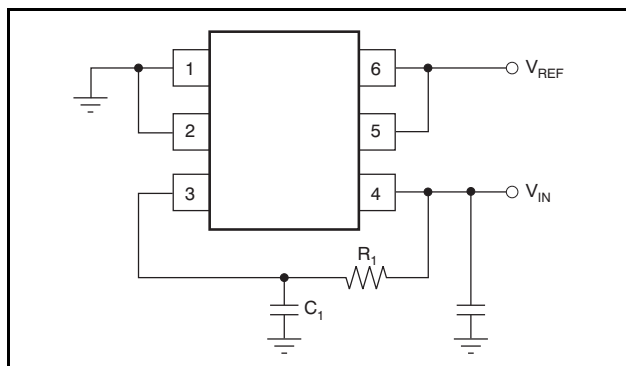


Figure 23. Application Circuit to Control the REF32xx ENABLE Pin

The RC filter in Figure 23 can be used as a starting point for the REF3240. The values for R_1 and C_1 have been calculated so that the voltage at the ENABLE pin reaches 0.7V after the input voltage has reached 4.15V; Table 1 lists these values. For output voltage options other than 4.096V, the RC filter can be made faster.

Table 1. Recommended R_1 and C_1 Values for the REF3240

RISE TIME	R_1 VALUE	C_1 VALUE
2ms	150kΩ	100nF
5ms	150kΩ	220nF
10ms	330kΩ	220nF
20ms	390kΩ	330nF
50ms	680kΩ	470nF
100ms	680kΩ	1000nF

In this document, rise time is defined as the time until an exponential input signal reaches 90% of its final voltage. For example, the 2ms value shown in Table 1 is valid for an end value of 5V.

If the input voltage has a different shape or the end value is not 5V, then the time until the minimum dropout voltage has been reached should be used to decide if the IN and ENABLE pins can be tied together. Table 2 lists these times.

Table 2. Minimum Dropout Voltage Times

DEVICE	TIME
REF3212	0.4ms
REF3220	0.5ms
REF3225	0.7ms
REF3230	0.9ms
REF3233	1.0ms
REF3240	1.6ms

Note that because the leakage current of the EN pin is in the range of a few nA, it can be disregarded in most applications.

SHUTDOWN

The REF32xx can be placed in a low-power mode by pulling the ENABLE/SHUTDOWN pin low. When in Shutdown mode, the output of the REF32xx becomes a resistive load to ground. The value of the load depends on the model, and ranges from approximately 100kΩ to 400kΩ.

THERMAL HYSTERESIS

Thermal hysteresis for the REF32xx is defined as the change in output voltage after operating the device at +25°C, cycling the device through the specified temperature range, and returning to +25°C. It can be expressed as:

$$V_{HYST} = \left(\frac{V_{PRE} - V_{POST}}{V_{NOM}} \right) \times 10^6 (\text{ppm})$$

Where:

V_{HYST} = thermal hysteresis (in units of ppm).

V_{NOM} = the specified output voltage.

V_{PRE} = output voltage measured at +25°C pretemperature cycling.

V_{POST} = output voltage measured after the device has been cycled through the specified temperature range of -40°C to +125°C and returned to +25°C. (1)

TEMPERATURE DRIFT

The REF32xx is designed to exhibit minimal drift error, which is defined as the change in output voltage over varying temperature. The drift is calculated using the box method, as described by Equation 2:

$$\text{Drift} = \left(\frac{V_{OUTMAX} - V_{OUTMIN}}{V_{OUT} \times \text{Temp Range}} \right) \times 10^6 (\text{ppm}) \quad (2)$$

The REF32xx features a typical drift coefficient of 4ppm/°C from 0°C to +125°C—the primary temperature range for many applications. For the extended industrial temperature range of -40°C to +125°C, the REF32xx family drift increases to a typical value of 10.5ppm/°C.

NOISE PERFORMANCE

Typical 0.1Hz to 10Hz voltage noise can be seen in the Typical Characteristic curve, 0.1Hz to 10Hz Voltage Noise. The noise voltage of the REF32xx increases with output voltage and operating temperature. Additional filtering can be used to improve output noise levels, although care should be taken to ensure the output impedance does not degrade AC performance.

LONG-TERM STABILITY

Long-term stability refers to the change of the output voltage of a reference over a period of months or years. This effect lessens as time progresses, as is shown by the long-term stability Typical Characteristic curves. The typical drift value for the REF32xx is 55ppm from 0 to 1000 hours. This parameter is characterized by measuring 30 units at regular intervals for a period of 1000 hours.

LOAD REGULATION

Load regulation is defined as the change in output voltage as a result of changes in load current. The load regulation of the REF32xx is measured using force and sense contacts, as shown in Figure 24.

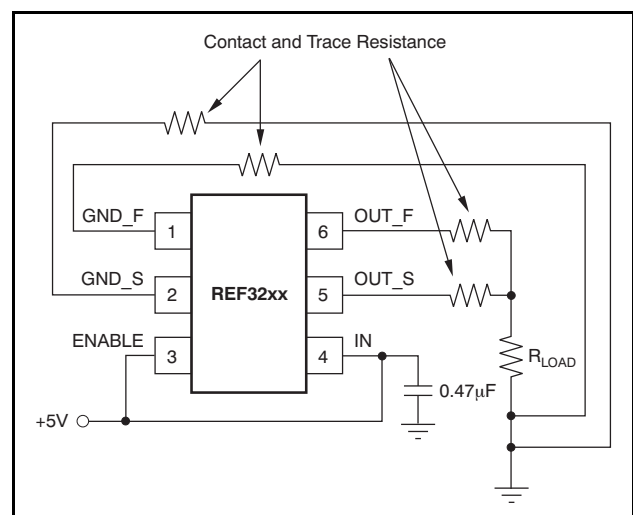


Figure 24. Accurate Load Regulation of REF32xx

The force and sense lines can be used to effectively eliminate the impact of contact and trace resistance, resulting in accurate voltage at the load. By connecting the force and sense lines at the load, the REF32xx compensates for the contact and trace resistances because it measures and adjusts the voltage actually delivered at the load.

The GND_S pin is connected to the internal ground of the device through ESD protection diodes. Because of that connection, the maximum differential voltage between the GND_S and GND_F pins must be kept below 200mV to prevent these diodes from unintentionally turning on.

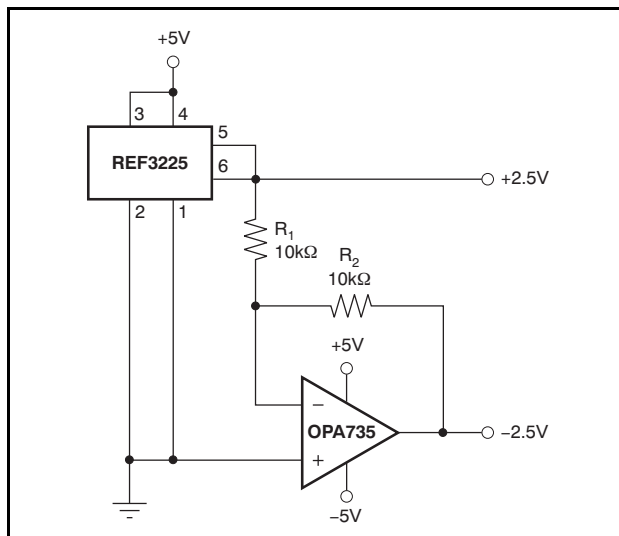
APPLICATION CIRCUITS

NEGATIVE REFERENCE VOLTAGE

For applications requiring a negative and positive reference voltage, the REF32xx and OPA735 can be used to provide a dual-supply reference from a $\pm 5V$ supply. Figure 25 shows the REF3225 used to provide a $\pm 2.5V$ supply reference voltage. The low drift performance of the REF32xx complements the low offset voltage and zero drift of the OPA735 to provide an accurate solution for split-supply applications. Care must be taken to match the temperature coefficients of R_1 and R_2 .

DATA ACQUISITION

Data acquisition systems often require stable voltage references to maintain accuracy. The REF32xx family features stability and a wide range of voltages suitable for most microcontrollers and data converters. Figure 26, Figure 27, and Figure 28 show basic data acquisition systems.



NOTE:: Bypass capacitor is not shown.

Figure 25. REF3225 Combined with OPA735 to Create Positive and Negative Reference Voltages

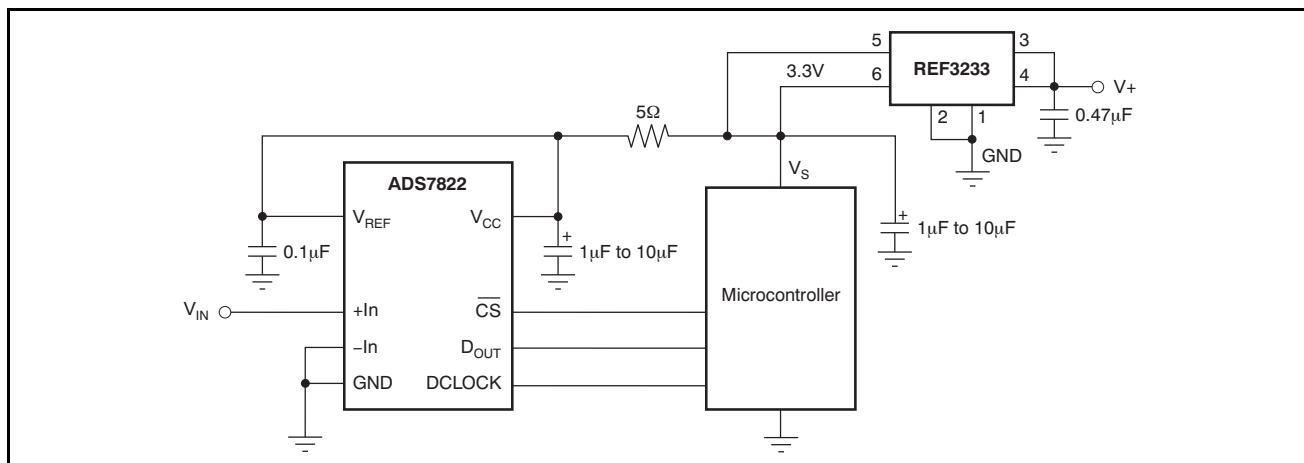


Figure 26. Basic Data Acquisition System 1

REF3212, REF3220
REF3225, REF3230
REF3233, REF3240

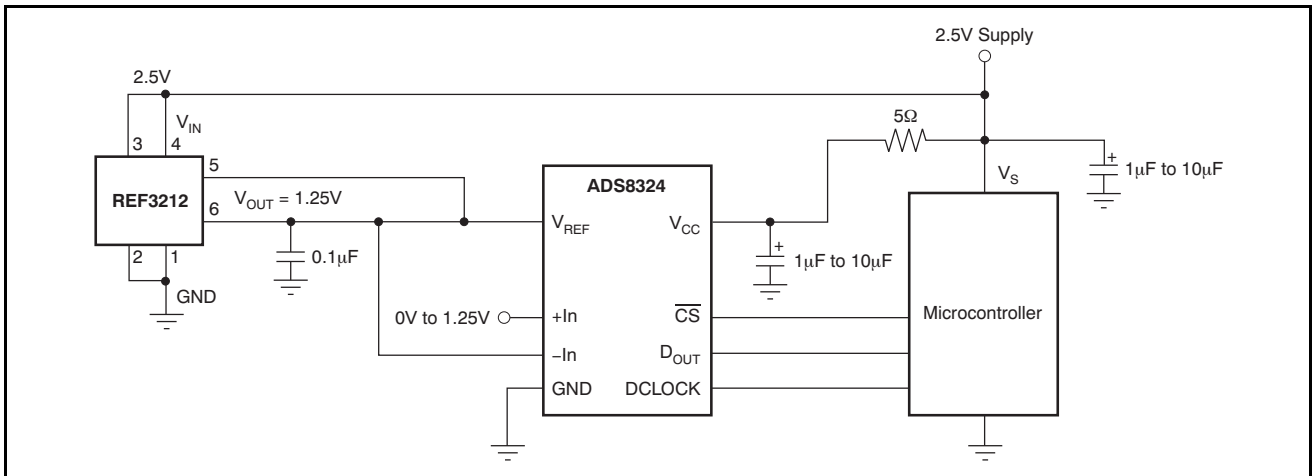


Figure 27. Basic Data Acquisition System 2

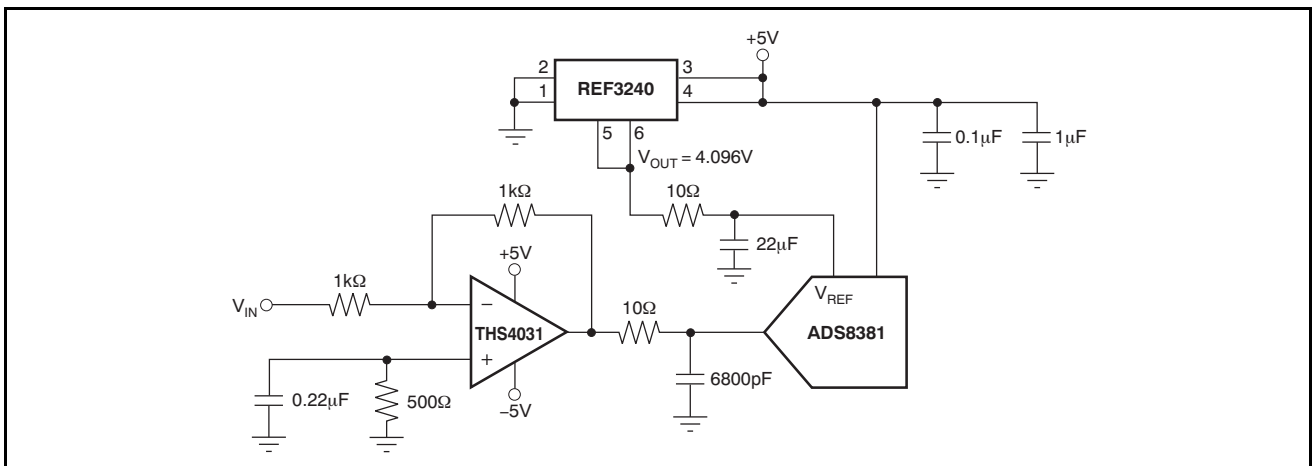


Figure 28. REF3240 Provides an Accurate Reference for Driving the ADS8381

REVISION HISTORY

NOTE: Page numbers for previous revisions may differ from page numbers in the current version.

Changes from Revision B (February 2006) to Revision C	Page
• Added Pin Descriptions table	2
• Added note to Enable/Shutdown parameter	4
• Changed the minimum voltage for Enable/Shutdown with reference active from $(0.75 \times V_{IN})$ to 1.5	4
• Changed Current test condition from from $(0.75 \times V_{IN})$ to (1.5V)	4
• Added text, two tables, and one figure to Supply Voltage section	8
• Changed pin 3 in Figure 24 from SHDN to ENABLE (typo)	10
• Added paragraph to Load Regulation section	10

PACKAGING INFORMATION

Orderable Device	Status (1)	Package Type	Package Drawing	Pins	Package Qty	Eco Plan (2)	Lead/Ball Finish (6)	MSL Peak Temp (3)	Op Temp (°C)	Device Marking (4/5)	Samples
REF3212AIDBVR	ACTIVE	SOT-23	DBV	6	3000	Green (RoHS & no Sb/Br)	CU NIPDAU	Level-2-260C-1 YEAR	-40 to 125	R32A	Samples
REF3212AIDBVT	ACTIVE	SOT-23	DBV	6	250	Green (RoHS & no Sb/Br)	CU NIPDAU	Level-2-260C-1 YEAR	-40 to 125	R32A	Samples
REF3212AIDBVTG4	ACTIVE	SOT-23	DBV	6	250	Green (RoHS & no Sb/Br)	CU NIPDAU	Level-2-260C-1 YEAR	-40 to 125	R32A	Samples
REF3220AIDBVR	ACTIVE	SOT-23	DBV	6	3000	Green (RoHS & no Sb/Br)	CU NIPDAU	Level-2-260C-1 YEAR	-40 to 125	R32B	Samples
REF3220AIDBVT	ACTIVE	SOT-23	DBV	6	250	Green (RoHS & no Sb/Br)	CU NIPDAU	Level-2-260C-1 YEAR	-40 to 125	R32B	Samples
REF3220AIDBVTG4	ACTIVE	SOT-23	DBV	6	250	Green (RoHS & no Sb/Br)	CU NIPDAU	Level-2-260C-1 YEAR	-40 to 125	R32B	Samples
REF3225AIDBVR	ACTIVE	SOT-23	DBV	6	3000	Green (RoHS & no Sb/Br)	CU NIPDAU	Level-2-260C-1 YEAR	-40 to 125	R32C	Samples
REF3225AIDBVRG4	ACTIVE	SOT-23	DBV	6	3000	Green (RoHS & no Sb/Br)	CU NIPDAU	Level-2-260C-1 YEAR	-40 to 125	R32C	Samples
REF3225AIDBVT	ACTIVE	SOT-23	DBV	6	250	Green (RoHS & no Sb/Br)	CU NIPDAU	Level-2-260C-1 YEAR	-40 to 125	R32C	Samples
REF3225AIDBVTG4	ACTIVE	SOT-23	DBV	6	250	Green (RoHS & no Sb/Br)	CU NIPDAU	Level-2-260C-1 YEAR	-40 to 125	R32C	Samples
REF3230AIDBVR	ACTIVE	SOT-23	DBV	6	3000	Green (RoHS & no Sb/Br)	CU NIPDAU	Level-2-260C-1 YEAR	-40 to 125	R32D	Samples
REF3230AIDBVRG4	ACTIVE	SOT-23	DBV	6	3000	Green (RoHS & no Sb/Br)	CU NIPDAU	Level-2-260C-1 YEAR	-40 to 125	R32D	Samples
REF3230AIDBVT	ACTIVE	SOT-23	DBV	6	250	Green (RoHS & no Sb/Br)	CU NIPDAU	Level-2-260C-1 YEAR	-40 to 125	R32D	Samples
REF3230AIDBVTG4	ACTIVE	SOT-23	DBV	6	250	Green (RoHS & no Sb/Br)	CU NIPDAU	Level-2-260C-1 YEAR	-40 to 125	R32D	Samples
REF3233AIDBVR	ACTIVE	SOT-23	DBV	6	3000	Green (RoHS & no Sb/Br)	CU NIPDAU	Level-2-260C-1 YEAR	-40 to 125	R32E	Samples
REF3233AIDBVRG4	ACTIVE	SOT-23	DBV	6	3000	Green (RoHS & no Sb/Br)	CU NIPDAU	Level-2-260C-1 YEAR	-40 to 125	R32E	Samples
REF3233AIDBVT	ACTIVE	SOT-23	DBV	6	250	Green (RoHS & no Sb/Br)	CU NIPDAU	Level-2-260C-1 YEAR	-40 to 125	R32E	Samples



Orderable Device	Status (1)	Package Type	Package Drawing	Pins	Package Qty	Eco Plan (2)	Lead/Ball Finish (6)	MSL Peak Temp (3)	Op Temp (°C)	Device Marking (4/5)	Samples
REF3233AIDBVTG4	ACTIVE	SOT-23	DBV	6	250	Green (RoHS & no Sb/Br)	CU NIPDAU	Level-2-260C-1 YEAR	-40 to 125	R32E	Samples
REF3240AIDBVR	ACTIVE	SOT-23	DBV	6	3000	Green (RoHS & no Sb/Br)	CU NIPDAU	Level-2-260C-1 YEAR	-40 to 125	R32F	Samples
REF3240AIDBVRG4	ACTIVE	SOT-23	DBV	6	3000	Green (RoHS & no Sb/Br)	CU NIPDAU	Level-2-260C-1 YEAR	-40 to 125	R32F	Samples
REF3240AIDBVT	ACTIVE	SOT-23	DBV	6	250	Green (RoHS & no Sb/Br)	CU NIPDAU	Level-2-260C-1 YEAR	-40 to 125	R32F	Samples
REF3240AIDBVTG4	ACTIVE	SOT-23	DBV	6	250	Green (RoHS & no Sb/Br)	CU NIPDAU	Level-2-260C-1 YEAR	-40 to 125	R32F	Samples

(1) The marketing status values are defined as follows:

ACTIVE: Product device recommended for new designs.

LIFEBUY: TI has announced that the device will be discontinued, and a lifetime-buy period is in effect.

NRND: Not recommended for new designs. Device is in production to support existing customers, but TI does not recommend using this part in a new design.

PREVIEW: Device has been announced but is not in production. Samples may or may not be available.

OBSOLETE: TI has discontinued the production of the device.

(2) Eco Plan - The planned eco-friendly classification: Pb-Free (RoHS), Pb-Free (RoHS Exempt), or Green (RoHS & no Sb/Br) - please check <http://www.ti.com/productcontent> for the latest availability information and additional product content details.

TBD: The Pb-Free/Green conversion plan has not been defined.

Pb-Free (RoHS): TI's terms "Lead-Free" or "Pb-Free" mean semiconductor products that are compatible with the current RoHS requirements for all 6 substances, including the requirement that lead not exceed 0.1% by weight in homogeneous materials. Where designed to be soldered at high temperatures, TI Pb-Free products are suitable for use in specified lead-free processes.

Pb-Free (RoHS Exempt): This component has a RoHS exemption for either 1) lead-based flip-chip solder bumps used between the die and package, or 2) lead-based die adhesive used between the die and leadframe. The component is otherwise considered Pb-Free (RoHS compatible) as defined above.

Green (RoHS & no Sb/Br): TI defines "Green" to mean Pb-Free (RoHS compatible), and free of Bromine (Br) and Antimony (Sb) based flame retardants (Br or Sb do not exceed 0.1% by weight in homogeneous material)

(3) MSL, Peak Temp. - The Moisture Sensitivity Level rating according to the JEDEC industry standard classifications, and peak solder temperature.

(4) There may be additional marking, which relates to the logo, the lot trace code information, or the environmental category on the device.

(5) Multiple Device Markings will be inside parentheses. Only one Device Marking contained in parentheses and separated by a "-" will appear on a device. If a line is indented then it is a continuation of the previous line and the two combined represent the entire Device Marking for that device.

(6) Lead/Ball Finish - Orderable Devices may have multiple material finish options. Finish options are separated by a vertical ruled line. Lead/Ball Finish values may wrap to two lines if the finish value exceeds the maximum column width.



Important Information and Disclaimer: The information provided on this page represents TI's knowledge and belief as of the date that it is provided. TI bases its knowledge and belief on information provided by third parties, and makes no representation or warranty as to the accuracy of such information. Efforts are underway to better integrate information from third parties. TI has taken and continues to take reasonable steps to provide representative and accurate information but may not have conducted destructive testing or chemical analysis on incoming materials and chemicals. TI and TI suppliers consider certain information to be proprietary, and thus CAS numbers and other limited information may not be available for release.

In no event shall TI's liability arising out of such information exceed the total purchase price of the TI part(s) at issue in this document sold by TI to Customer on an annual basis.

OTHER QUALIFIED VERSIONS OF REF3212, REF3220, REF3225, REF3230, REF3240 :

- Enhanced Product: [REF3212-EP](#), [REF3220-EP](#), [REF3225-EP](#), [REF3230-EP](#), [REF3240-EP](#)

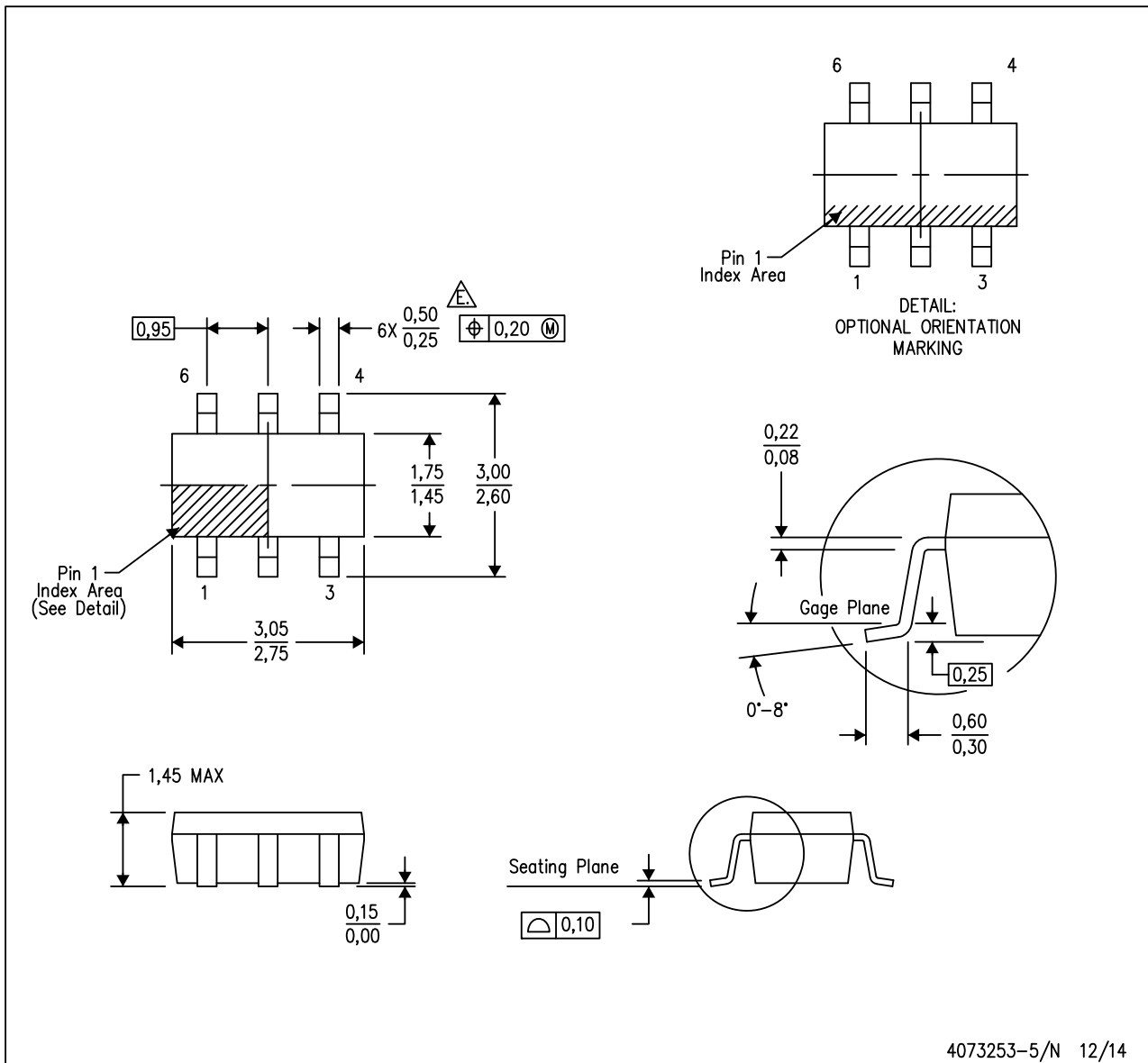
NOTE: Qualified Version Definitions:

- Enhanced Product - Supports Defense, Aerospace and Medical Applications

MECHANICAL DATA

DBV (R-PDSO-G6)

PLASTIC SMALL-OUTLINE PACKAGE

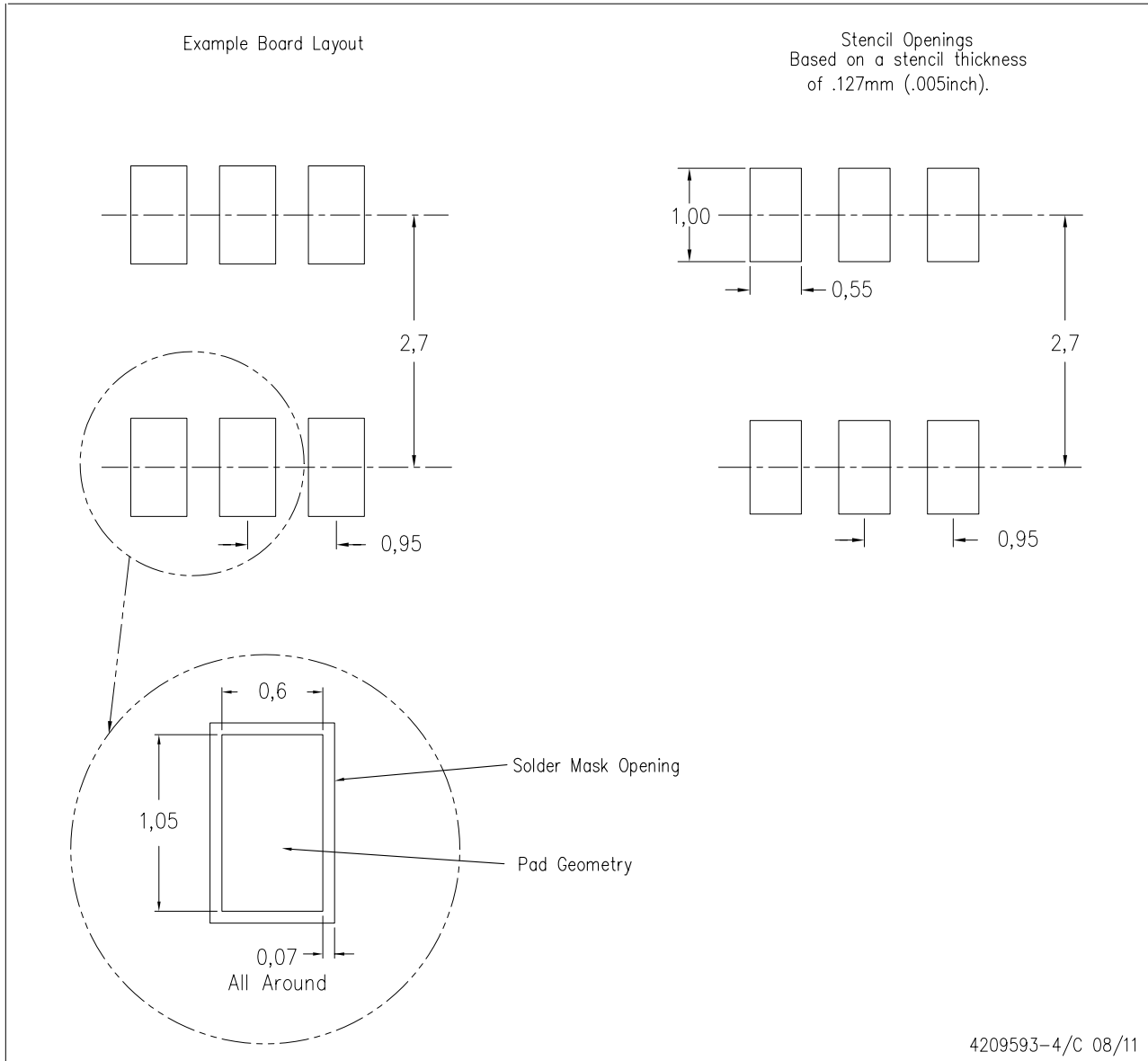


- NOTES:
- A. All linear dimensions are in millimeters.
 - B. This drawing is subject to change without notice.
 - C. Body dimensions do not include mold flash or protrusion. Mold flash and protrusion shall not exceed 0.15 per side.
 - D. Leads 1,2,3 may be wider than leads 4,5,6 for package orientation.
- Falls within JEDEC MO-178 Variation AB, except minimum lead width.

LAND PATTERN DATA

DBV (R-PDSO-G6)

PLASTIC SMALL OUTLINE



- NOTES:
- A. All linear dimensions are in millimeters.
 - B. This drawing is subject to change without notice.
 - C. Customers should place a note on the circuit board fabrication drawing not to alter the center solder mask defined pad.
 - D. Publication IPC-7351 is recommended for alternate designs.
 - E. Laser cutting apertures with trapezoidal walls and also rounding corners will offer better paste release. Customers should contact their board assembly site for stencil design recommendations. Example stencil design based on a 50% volumetric metal load solder paste. Refer to IPC-7525 for other stencil recommendations.

IMPORTANT NOTICE

Texas Instruments Incorporated and its subsidiaries (TI) reserve the right to make corrections, enhancements, improvements and other changes to its semiconductor products and services per JESD46, latest issue, and to discontinue any product or service per JESD48, latest issue. Buyers should obtain the latest relevant information before placing orders and should verify that such information is current and complete. All semiconductor products (also referred to herein as “components”) are sold subject to TI’s terms and conditions of sale supplied at the time of order acknowledgment.

TI warrants performance of its components to the specifications applicable at the time of sale, in accordance with the warranty in TI’s terms and conditions of sale of semiconductor products. Testing and other quality control techniques are used to the extent TI deems necessary to support this warranty. Except where mandated by applicable law, testing of all parameters of each component is not necessarily performed.

TI assumes no liability for applications assistance or the design of Buyers’ products. Buyers are responsible for their products and applications using TI components. To minimize the risks associated with Buyers’ products and applications, Buyers should provide adequate design and operating safeguards.

TI does not warrant or represent that any license, either express or implied, is granted under any patent right, copyright, mask work right, or other intellectual property right relating to any combination, machine, or process in which TI components or services are used. Information published by TI regarding third-party products or services does not constitute a license to use such products or services or a warranty or endorsement thereof. Use of such information may require a license from a third party under the patents or other intellectual property of the third party, or a license from TI under the patents or other intellectual property of TI.

Reproduction of significant portions of TI information in TI data books or data sheets is permissible only if reproduction is without alteration and is accompanied by all associated warranties, conditions, limitations, and notices. TI is not responsible or liable for such altered documentation. Information of third parties may be subject to additional restrictions.

Resale of TI components or services with statements different from or beyond the parameters stated by TI for that component or service voids all express and any implied warranties for the associated TI component or service and is an unfair and deceptive business practice. TI is not responsible or liable for any such statements.

Buyer acknowledges and agrees that it is solely responsible for compliance with all legal, regulatory and safety-related requirements concerning its products, and any use of TI components in its applications, notwithstanding any applications-related information or support that may be provided by TI. Buyer represents and agrees that it has all the necessary expertise to create and implement safeguards which anticipate dangerous consequences of failures, monitor failures and their consequences, lessen the likelihood of failures that might cause harm and take appropriate remedial actions. Buyer will fully indemnify TI and its representatives against any damages arising out of the use of any TI components in safety-critical applications.

In some cases, TI components may be promoted specifically to facilitate safety-related applications. With such components, TI’s goal is to help enable customers to design and create their own end-product solutions that meet applicable functional safety standards and requirements. Nonetheless, such components are subject to these terms.

No TI components are authorized for use in FDA Class III (or similar life-critical medical equipment) unless authorized officers of the parties have executed a special agreement specifically governing such use.

Only those TI components which TI has specifically designated as military grade or “enhanced plastic” are designed and intended for use in military/aerospace applications or environments. Buyer acknowledges and agrees that any military or aerospace use of TI components which have **not** been so designated is solely at the Buyer’s risk, and that Buyer is solely responsible for compliance with all legal and regulatory requirements in connection with such use.

TI has specifically designated certain components as meeting ISO/TS16949 requirements, mainly for automotive use. In any case of use of non-designated products, TI will not be responsible for any failure to meet ISO/TS16949.

Products

Audio	www.ti.com/audio
Amplifiers	amplifier.ti.com
Data Converters	dataconverter.ti.com
DLP® Products	www.dlp.com
DSP	dsp.ti.com
Clocks and Timers	www.ti.com/clocks
Interface	interface.ti.com
Logic	logic.ti.com
Power Mgmt	power.ti.com
Microcontrollers	microcontroller.ti.com
RFID	www.ti-rfid.com
OMAP Applications Processors	www.ti.com/omap
Wireless Connectivity	www.ti.com/wirelessconnectivity

Applications

Automotive and Transportation	www.ti.com/automotive
Communications and Telecom	www.ti.com/communications
Computers and Peripherals	www.ti.com/computers
Consumer Electronics	www.ti.com/consumer-apps
Energy and Lighting	www.ti.com/energy
Industrial	www.ti.com/industrial
Medical	www.ti.com/medical
Security	www.ti.com/security
Space, Avionics and Defense	www.ti.com/space-avionics-defense
Video and Imaging	www.ti.com/video

TI E2E Community

e2e.ti.com