

Excellent Integrated System Limited

Stocking Distributor

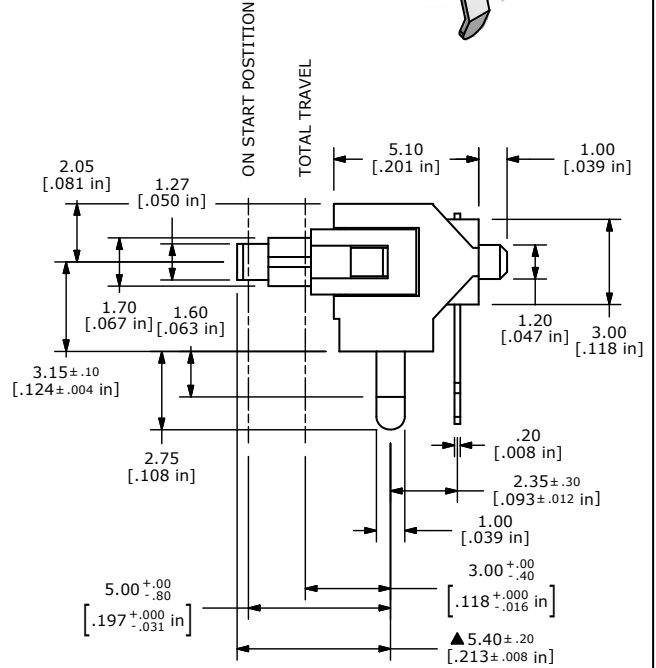
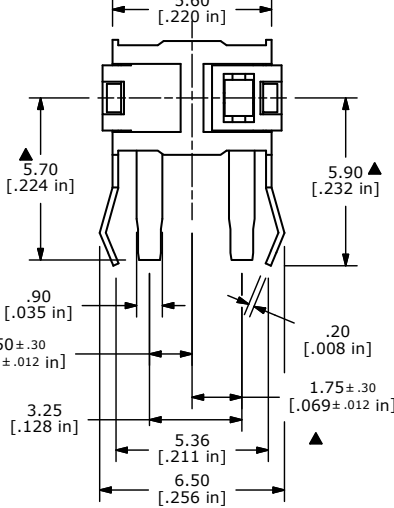
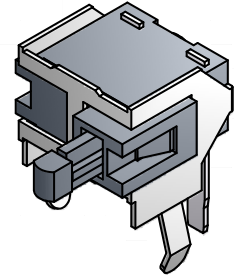
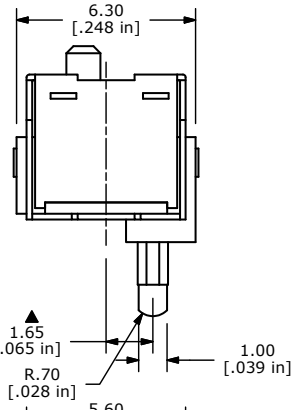
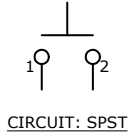
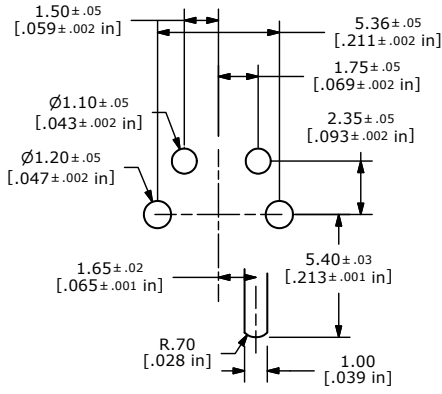
Click to view price, real time Inventory, Delivery & Lifecycle Information:

[E-Switch](#)
[TD1105A](#)

For any questions, you can email us directly:

sales@integrated-circuit.com

SHEET 1 OF 1



- NOTES:
 1. ALL DIMENSIONS IN MM [INCH]
 2. TERM. NOS. FOR REF. ONLY
 3. GENERAL TOLERANCE: x.x = ± 0.4
 x.xx = ± 0.25
 ▲ 4. OPERATING FORCE 36 gf. MAX
 5. CONTACT RATING: 100mA @ 30VDC
 6. CONTACT RESISTANCE: 1 OHM MAX
 7. OPERATION LIFE WITOUT LOAD 50,000 CYCLES
 8. ▲ DENOTED CRITICAL PARAMETER
 9. 2002/95/EC (RoHS) COMPLIANT



				TITLE TD1105A					
B	19861	UPDATED TO DRAWING	4/19/11	BGL					
REV	PCR NO	DESCRIPTION	DATE	BY	SCALE	DATE	DR	DWG	REV
<small>THE INFORMATION CONTAINED IN THIS DOCUMENT IS PROPRIETARY TO E-SWITCH AND IS NOT TO BE COPIED OR TRANSFERRED</small>					5:1	4/18/2011	BGL	P200015	B