

Excellent Integrated System Limited

Stocking Distributor

Click to view price, real time Inventory, Delivery & Lifecycle Information:

[Honeywell Microelectronics & Precision Sensors](#)
[HRF-SW1020-FL-TR](#)

For any questions, you can email us directly:

sales@integrated-circuit.com

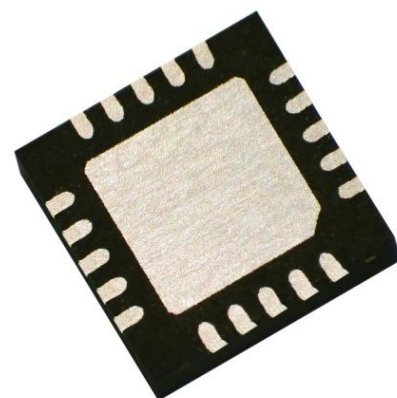


HRF-SW1020

SP4T Absorptive RF Switch DC To 2.5 GHz Operation

The Honeywell HRF-SW1020 is a high performance single pole four throw (SP4T) absorptive RF switch ideal for use in wireless basestation and handset applications that require minimum power and minimum insertion loss.

The HRF-SW1020 is manufactured with Honeywell's patented Silicon On Insulator (SOI) CMOS technology, which provides the performance of GaAs with the economy and integration capabilities of conventional CMOS technology. These switches are DC coupled to improve lower operating frequency, frequency response and reduce the number of DC bias points required.



HRF-SW1020 in VQFN Package

FEATURES

- Typical High Isolation Of > 40 dB @ 2 GHz
- Typical Low Insertion Loss Of 1.7dB @ 1 GHz
- Integrated CMOS Control Logic
- DC-coupled, bi-directional RF Path
- Single Positive Supply Voltage
- Ultra Small VQFN Packaging
- Impedance matched for 50 Ohm systems
- Lead-free, RoHS compliant and halogen-free

RF ELECTRICAL SPECIFICATIONS @ + 25°C

Results @ $V_{DD} = 5.0 \pm 10\%$, $V_{SS} = 0$ unless otherwise stated, $Z_0 = 50$ Ohms
 Contact Honeywell for relative performance at other supply configurations

Parameter	Test Condition	Frequency	Minimum	Typical	Maximum	Units
Insertion Loss		1.0 GHz		1.6	1.9	dB
		2.0 GHz		1.7	2.2	dB
		2.5 GHz		1.8	2.3	dB
Isolation		1.0 GHz	45	54		dB
		2.0 GHz	33	41		dB
		2.5 GHz	30	39		dB
Return Loss			-15	-20		dB
Input P1dB	$V_{SS} = \text{Gnd}$ $V_{SS} = -5V$	1.0 GHz		17		dBm
		1.0 GHz		27		dBm
Input IP3	Two-Tone Inputs, up to + 5 dBm $V_{SS} = \text{Gnd}$ $V_{SS} = -5V$	2.0 GHz		35		dBm
		2.0 GHz		36		dBm
Trise, Tfall Ton, Toff	10% To 90%			10		ns
	50% Cntl To 90% / 10% RF			20		ns

HRF-SW1020

DC ELECTRICAL SPECIFICATIONS @ + 25°C

Parameter	Minimum	Typical	Maximum	Units
V _{DD}	3.3 ¹	5.0	5.5	V
V _{SS}	-5.0			V
I _{DD}		<5	35	uA
CMOS Logic Level (0)	0		0.8	V
CMOS Logic Level (1)	V _{DD} - 0.8		V _{DD}	V
Input Leakage Current			10	uA

Note 1 - Performance curves are for VDD = +5.0 +/- 10%

ABSOLUTE MAXIMUM RATINGS¹

Parameter	Absolute Maximum	Units
V _{DD}	+6.0	V
V _{SS}	-5.5	V
Vin Digital Logic 0	-0.6	V
Vin Digital Logic 1	Vdd + 0.6	V
Input Power	> 35	dBm
ESD Voltage ²	400	V
Moisture Sensitivity Level	Level 3 @ 260°C	
Operating Temperature Range	-40 to +85	°C
Storage Temperature Range	-65 to +125	°C

Note 1 - Operation of this device beyond any of these parameters may cause permanent damage.

Note 2 - Although the HRF-SW1020 contains ESD protection circuitry on all digital inputs, precautions should be taken to ensure that the Absolute Maximum Ratings are not exceeded.

Latch-Up: Unlike conventional CMOS digital switches, Honeywell's HRF-SW1020 is immune to latch-up.

TRUTH TABLE

C1	C0	RF Output 1	RF Output 2	RF Output 3	RF Output 4
0	0	RFINPUT			
0	1		RFINPUT		
1	0			RFINPUT	
1	1				RFINPUT

"0" = CMOS Low, "1" = CMOS High

PIN CONFIGURATIONS

Pin	Function	Pin	Function	Pin	Function	Pin	Function
1	GROUND	6	RFOUTPUT3	11	C1	16	GROUND
2	RFOUTPUT4	7	GROUND	12	C0	17	GROUND
3	GROUND	8	GROUND	13	GROUND	18	RFINPUT
4	VDD	9	GROUND	14	RFOUTPUT1	19	GROUND
5	GROUND	10	RFOUTPUT2	15	GROUND	20	VSS

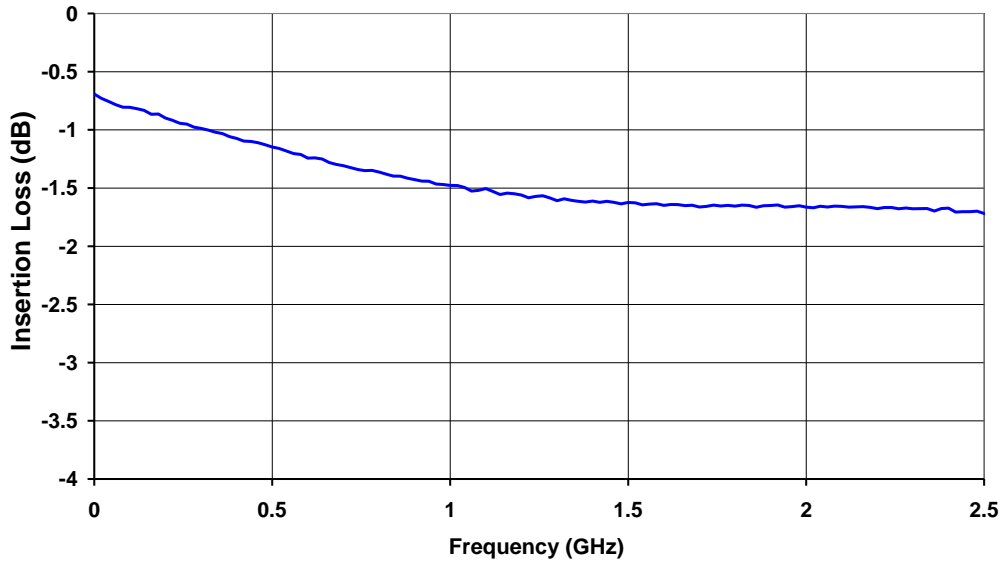
Note: Bottom ground plate must be grounded for proper RF performance.

HRF-SW1020

PERFORMANCE CURVES

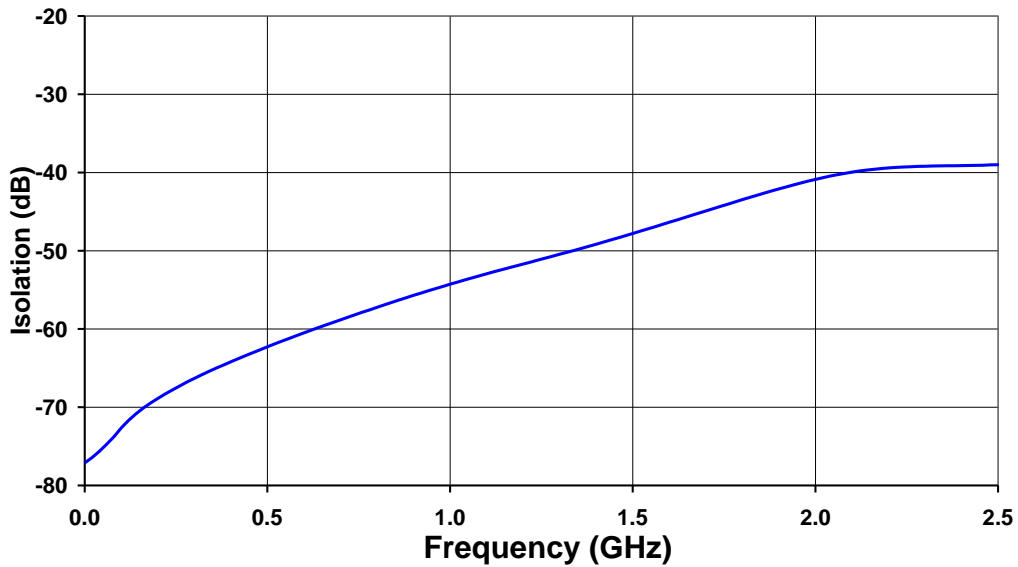
Insertion Loss

Typical SW1020 Insertion Loss



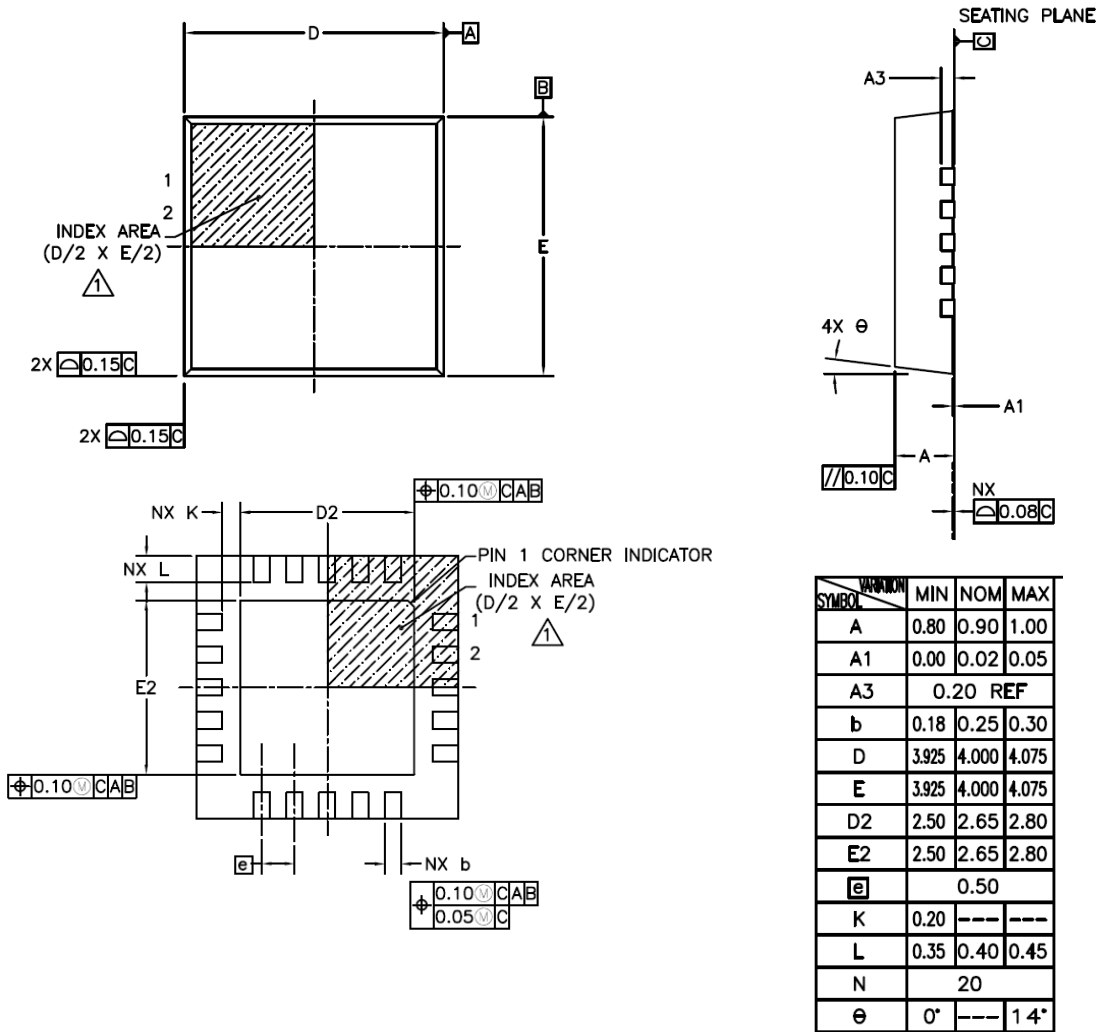
Isolation

Typical SW1020 Isolation



HRF-SW1020

PACKAGE OUTLINE DRAWING



Notes

1. Pin 1 identifier can be a combination or a dot and/or chamfer. A chamfer is on the bottom ground plane.
2. Dimensions are in millimeters.

HALOGEN-FREE MATERIAL SET

The -FL switches have a halogen-free material set that can withstand a maximum soldering temperature of 260°C.

LEAD FINISH

The package leads are Nickel Palladium with a Gold and Silver flash (NiPdAu+Ag). The configuration being manufactured and delivered today is lead-free and RoHS compliant. Plating thicknesses are listed below in microns (um).

Ni = 0.254 um min	Pd = 0.00254 um min	Au+Ag = 0.00508 um min	Au Composition = 30% min to 70% max
-------------------	---------------------	------------------------	-------------------------------------

LEAD FREE QFN SURFACE MOUNT APPLICATION

Please see Application Note AN310a for assembly process recommendations. The maximum soldering temperature of the -FL is 260°C. Application Notes can be found at our website: www.honeywell.com/microwave

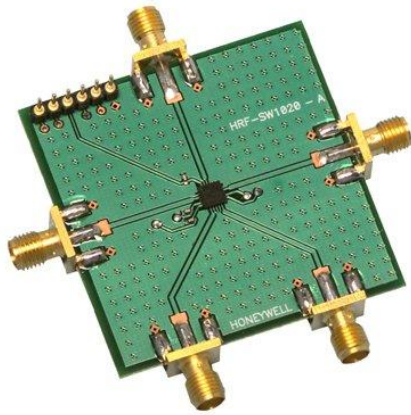
CIRCUIT APPLICATION INFORMATION

These switches require a DC reference to ground. They may not operate properly when AC coupled on both the RF input and output without a DC ground reference provided as part of the circuit. See Application Note AN311.

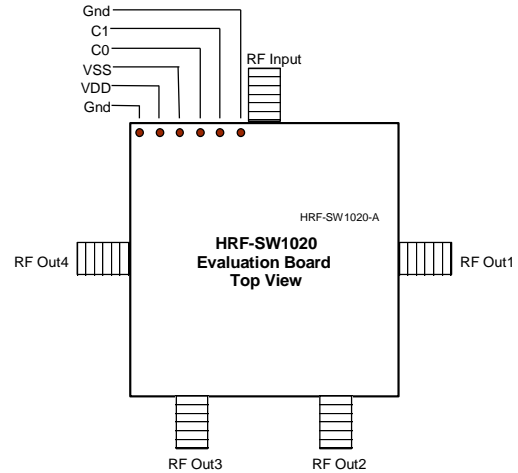
HRF-SW1020

EVALUATION CIRCUIT BOARD

Honeywell's evaluation board provides an easy to use method of evaluating the RF performance of our switch. Simply connect power; DC and RF signals to be measuring switch performance in less than 10 minutes.



HRF-SW1020 Evaluation Board



EVALUATION CIRCUIT BOARD LAYOUT DESIGN DETAILS

Item	Description
PCB	Impedance Matched Multi-Layer FR4
Switch	HRF-SW1020 RF Switch
Chip Capacitor	Panasonic Model ECU-E1C103KBQ Capacitor, .01uf 0402 10% 16V
RF Connector	Johnson Connectors Model 142-0701-801 SMA RF Coaxial Connector
DC Pin	Mil-Max Model 800-10-064-10-001 Header Pins

ORDERING INFORMATION

Ordering Number	Delivery Method	Units Per Shipment
HRF-SW1020-FL-TR HRF-SW1020- E	Tape & Reel Evaluation Board	2500 Units per Reel One Board Per Box

The new -FL switches replace and are electrically equivalent with the -GR switches. The -GR switches are obsolete.

FIND OUT MORE

For more information on Honeywell's Microwave Products visit us online at www.honeywellmicrowave.com or contact us at 800-323-8295 (763-954-2474 internationally).

Honeywell reserves the right to make changes to improve reliability, function or design. Honeywell does not assume any liability arising out of the application or use of any product or circuit described herein; neither does it convey any license under its patent rights nor the rights of others.