

Excellent Integrated System Limited

Stocking Distributor

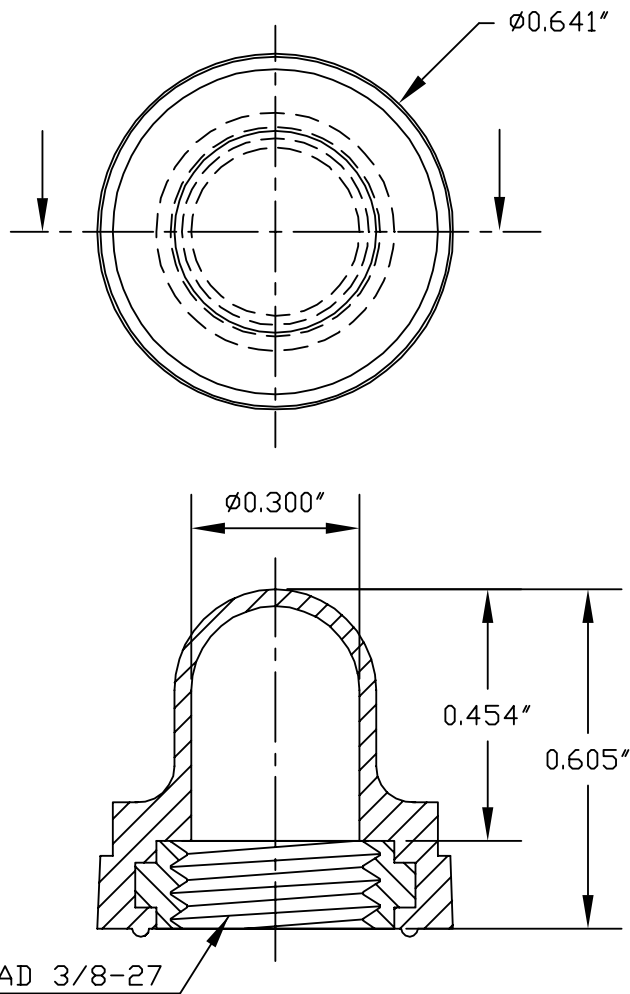
Click to view price, real time Inventory, Delivery & Lifecycle Information:

[APM Hexseal](#)
[C1221/25](#)

For any questions, you can email us directly:
sales@integrated-circuit.com

SPECIFICATIONS

Material: E-SEELS -- Silicone rubber polymer type ASTM D 1418
Mounting Nut: E-SEELS: ALUMINUM INSERT
Temperature Range: E-SEELS: -80°F to +400°F
Pressure Range: Exceeds 15 psi internal and 1500 psi external.
Operational Life: 50,000 actuations (minimum).
Shelf Life: Excess of 25 years.
Resistant to: Salt spray, sunlight, ozone, weather, fungus, and most acids and lubricating oils
Agency Recognition: E-SEELS and HEXSEALS are UL-listed to UL Std. 50 types 1-13, and meet CSA standards.
Installation: If a reducing adaptor is required - see page 14 of HEXSEAL catalog HEX200 for part numbers and drawing.



REV.	DESCRIPTION	DATE
B	ADDED OUTSIDE DIMENSION-Ø0.641"	11.09.09
A	CAD COMPUTER GENERATED	06.26.08
MAXIMUM AND MINIMUM MEASUREMENTS ARE STATED DIRECTLY ON EACH DIMENSION.	TITLE:	ENG. S. GOK 06.26.08
MAT'L: SILICONE RUBBER ASTM D 1418	PUSHBUTTON (C1221/25)	DWN. S. GOK 06.26.08
FINISH: BLACK and WHITE	APM-HEXSEAL CORPORATION	CHKD. J. CELLA 06.26.08
	SCALE 3 : 1	DWG. NO. (C1221/25) E-SEEL®

THIS DRAWING COVERS PROPRIETARY ITEM AND IS THE PROPERTY OF THE APM-HEXSEAL CORPORATION.
 THIS DRAWING IS NOT TO BE COPIED OR USED WITHOUT THE WRITTEN APPROVAL OF AN OFFICER OF THE APM-HEXSEAL CORPORATION.