

Excellent Integrated System Limited

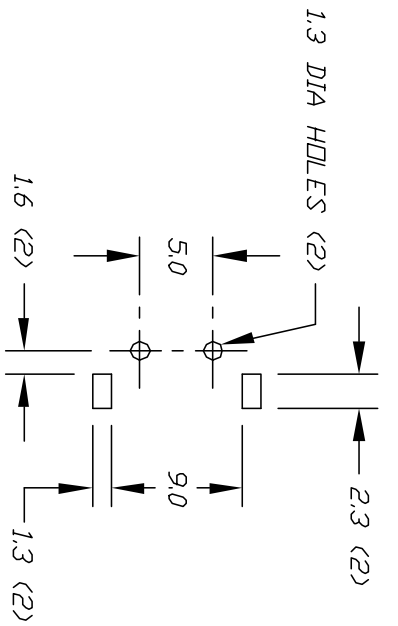
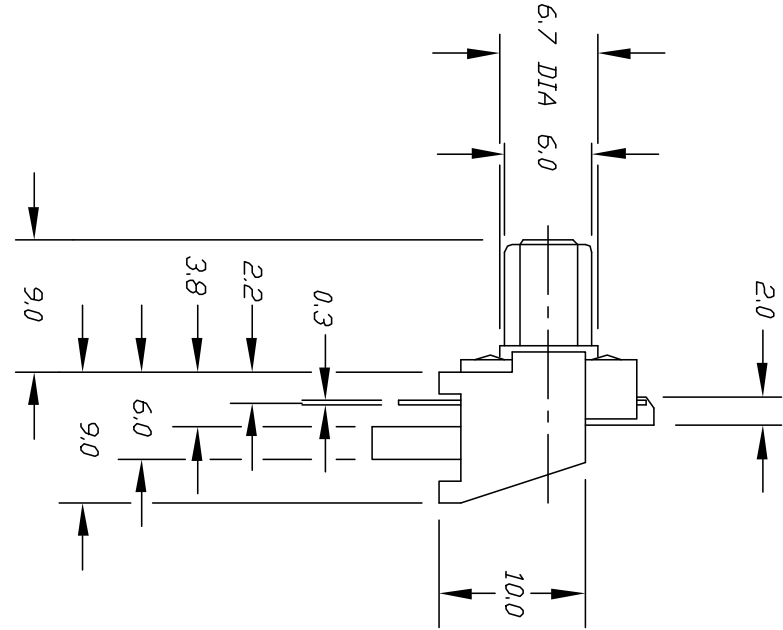
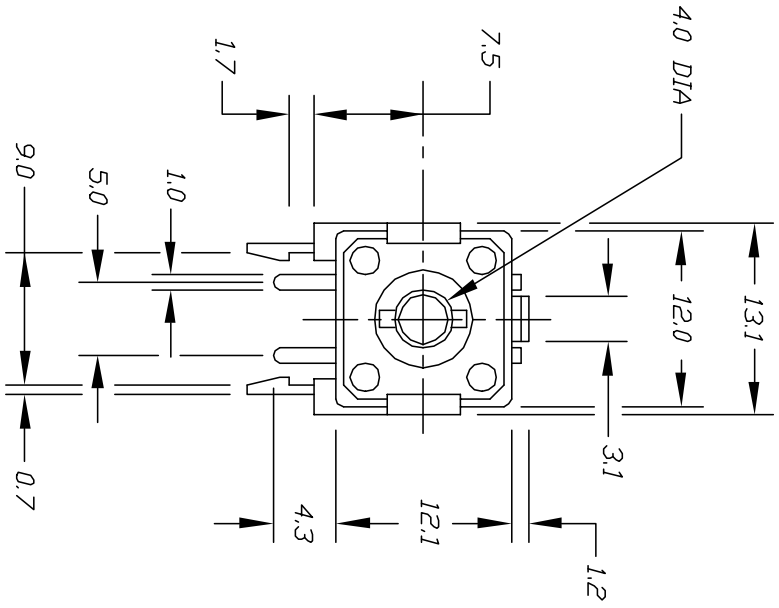
Stocking Distributor

Click to view price, real time Inventory, Delivery & Lifecycle Information:

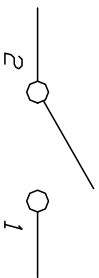
[E-Switch](#)
[TL1100GF160Q](#)

For any questions, you can email us directly:

sales@integrated-circuit.com



RECOMMEND P.C.B. HOLES



CIRCUIT: SPST

CONTACT CONFIGURATION



NOTES:

1. ALL DIMENSIONS IN MM (IN)
2. TERM. NOS. FOR REF ONLY
3. RATING: DC 12V, 50mA
4. TRAVEL: 0.3±0.15mm
5. CONTACT RESISTANCE: 100m Ohms Max.

B	REVISED & REDRAWN	DATE	CHKD
REV.	DESCRIPTION	DATE	CHKD

TOLERANCES	
0.0	±0.4
0.00	±0.25

TITLE	TL 1100 G F160 Q (WAS TL 1104 C)		
SCALE	2:1	DATE	8/22/95
DR	MM	DWG	P001103
REV	B		

E-SWITCH®

THE INFORMATION CONTAINED IN THIS DOCUMENT IS PROPRIETARY TO E-SWITCH AND IS NOT TO BE COPIED OR TRANSMITTED