

Excellent Integrated System Limited

Stocking Distributor

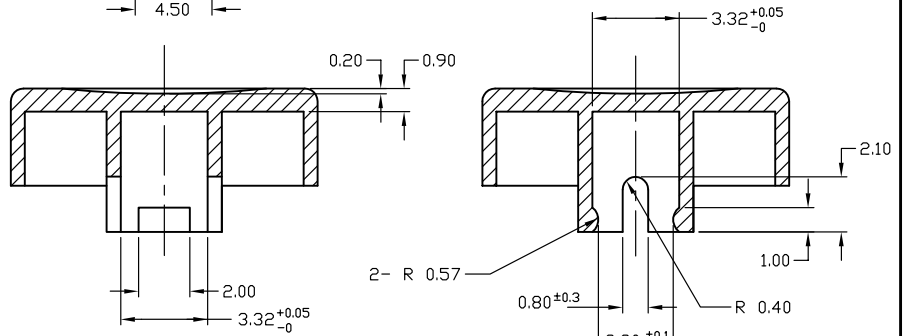
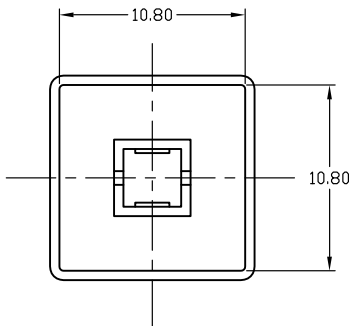
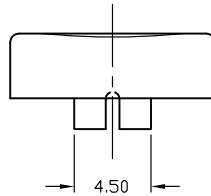
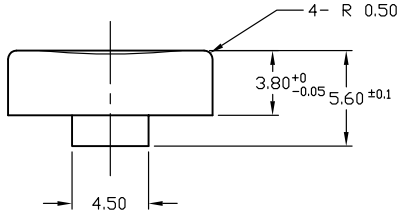
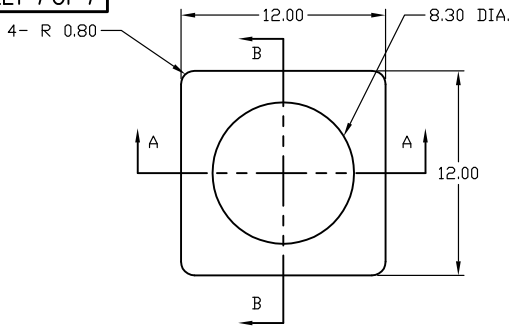
Click to view price, real time Inventory, Delivery & Lifecycle Information:

[E-Switch](#)
[4JRED](#)

For any questions, you can email us directly:

sales@integrated-circuit.com

SHEET 1 OF 1



SECTION A-A DETAIL

Part Number Shown: 4J Button Black

SECTION B-B DETAIL

NOTES:

1. ALL DIMENSIONS IN MM
2. BUTTON MATERIAL: ABS LUCKY XR-401
3. BUTTON COLOR: RED

E-SWITCH®

A	13423	RELEASED FOR PRODUCTION	9/4/03	AR
REV.	ECN No.	DESCRIPTION	DATE	CHKD
<small>THE INFORMATION CONTAINED IN THIS DOCUMENT IS PROPRIETARY TO E-SWITCH AND IS NOT TO BE COPIED OR TRANSFERRED</small>				

TITLE				
4JRED BUTTON				
SCALE	DATE	DR	DWG	REV
3:1	9/4/03	AR	P001053	A