



Distributor of ASSMANN WSW Components: Excellent Integrated System Limited
Datasheet of AU-Y1006-R - Connector Receptacle USB TypeA 1.1 4 Position Surface Mount,
Right Angle, Horizontal

Contact us: sales@integrated-circuit.com Website: www.integrated-circuit.com

Excellent Integrated System Limited

Stocking Distributor

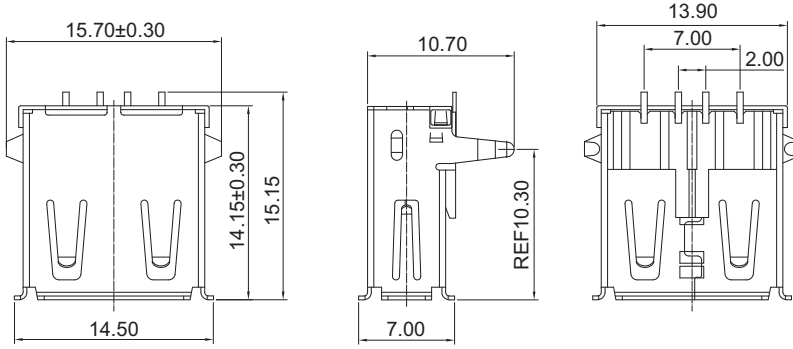
Click to view price, real time Inventory, Delivery & Lifecycle Information:

[ASSMANN WSW Components](#)
[AU-Y1006-R](#)

For any questions, you can email us directly:

sales@integrated-circuit.com

Contact us: sales@integrated-circuit.com Website: www.integrated-circuit.com

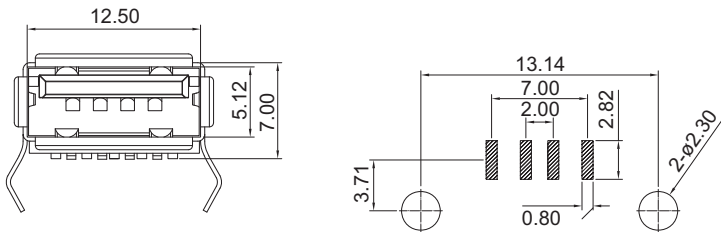


- Material:**
- Insulator: LCP + 30% G.F. UL 94V-0 Black
 - Contact: Phosphor Bronze
 - Shell: Brass
 - Shell Plating: Nickel over all plating

- Contact plating:**
- Contact Area: 5µ" gold over Nickel plating
 - Solder Tails Area: Tin over Nickel plating

- Electrical:**
- Current Rating: 1.5A Max.
 - Contact Resistance: 30 m ohms Max.
 - Insulation Resistance: 1000 M ohms min.
 - Dielectric Withstanding voltage: 500 VAC
 - Operating Temperature: -55°C ~ +85°C

* Solder temperature max. 260°C - acc. JEDEC standard
 PACKING: Tray



RECOMMENDED P.C.B. PATTERN LAYOUT

Unit: mm



Scale	Free				Date	Name	Title
TOLERANCE					Drawn	04.13.12	Miller
X.X	±0.38				Approved	11.12.12	Hellwig/Groll
X.XX	±0.25						
X.XXX	±0.13						
X.X°	±2°	②	Updated Specification Material, Plating and Electrical data.	11.12.12	Wilson		
X.XX°	±1°						
X.XXX°	±0.5°	①	Changed 'Insulator: LCP+30% G.F., UL94-V-0, Black' to 'PCB' Changed Temperature Range from '55°~+85°C' to '-55°C'	01.01.12	Chappell		
Angle	TOL	Id.	Modification	Date	Name		
							Title: USB 1.1 Connector SMT for PCB mount, A type female ASSMANN WSW-No.: AU-Y1006-R Drawing-No.: rev02 Replace Sheet 1/1

1 2 3 4 5 6 7