

Excellent Integrated System Limited

Stocking Distributor

Click to view price, real time Inventory, Delivery & Lifecycle Information:

[Sharp Microelectronics](#)

[GM1WA55360A](#)

For any questions, you can email us directly:

sales@integrated-circuit.com

SHARP

NEW PRODUCT

CHIP LED

Model **GM1WA55360A**

Issued on Feb. 18, 2004

Sales & Marketing Group
 -Electronic Components & Devices

0.55-mm Thickness, RGB 3 Chip, Chip LED

Features

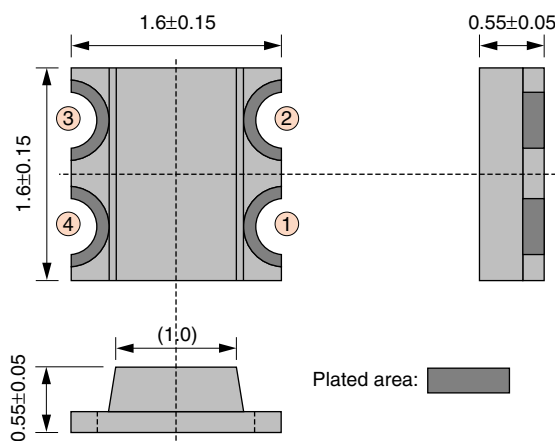
- 0.55-mm thickness package enables thin LED module (30% thinner than the conventional models)
- High-luminosity RGB 3 chip enables wide color emission range

Specifications

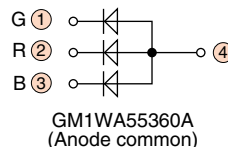
Parameter	Symbol	GM1WA55360A			Condition	Unit
		B	G	R		
Radiation color	—	Blue	Green	Red	—	—
Dominant wavelength(TYP.)	λ_d	472	527	628	I _F =10 mA	nm
Target intensity(TYP.)	I _v	(55)	(150)	(125)		mcd
Forward voltage(TYP.)	V _F	3.2	3.4	2.1		V
Operating temperature(TYP.)	T _{opr}	-20 to +80			—	°C

T_a=25 °C

Outline Dimensions (Unit : mm)



[Pin configuration]



Line-up

1616 size

