

## **Excellent Integrated System Limited**

Stocking Distributor

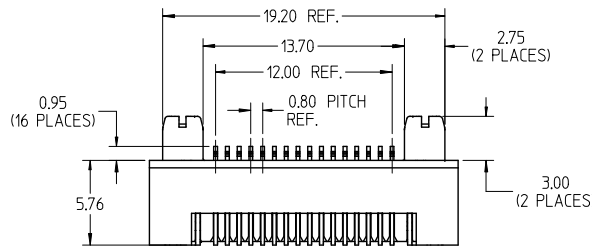
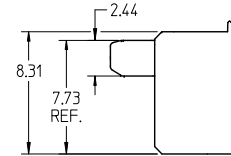
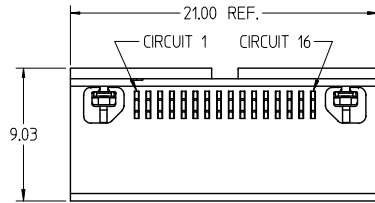
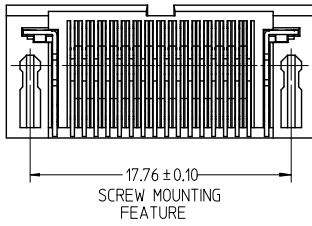
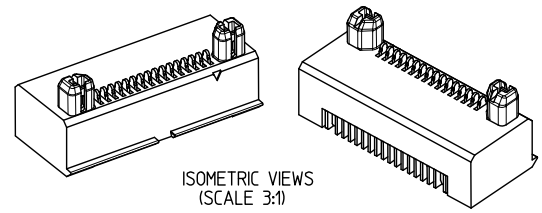
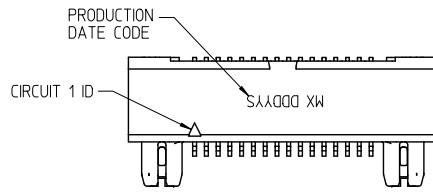
Click to view price, real time Inventory, Delivery & Lifecycle Information:

[Molex Connector Corporation](#)  
[0455600160](#)

For any questions, you can email us directly:

[sales@integrated-circuit.com](mailto:sales@integrated-circuit.com)

10 9 8 7 6 5 4 3 2 45560

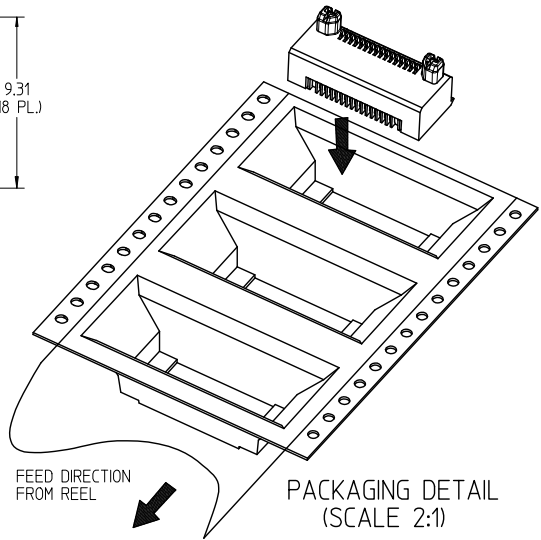
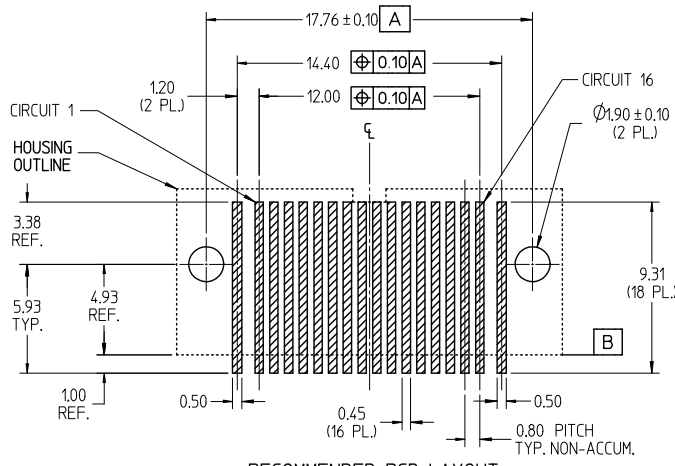


- NOTES:  
1. MATERIAL -  
HOUSING: LIQUID CRYSTAL POLYMER, GLASS FILLED,  
UL-94V-0, COLOR: BLACK  
TERMINALS: PHOSPHOR BRONZE  
LATCHES: STAINLESS STEEL  
2. FINISHES -  
TERMINALS: CONTACT AREA - SELECTIVE GOLD OVER  
PALLADIUM NICKEL OVER NICKEL  
SOLDER AREA - SELECTIVE TIN OVER NICKEL  
LATCHES: OVERALL - TIN OVER NICKEL  
3. PRODUCT SPECIFICATION - PS-44828-001  
APPLICATION SPECIFICATION: AS-44828-001  
4. PACKAGING: MOLEX SPECIFICATION - PK-45560-300.  
5. RECOMMENDED SCREW TYPE: M1.8, THREAD-CUTTING,  
MAJOR DIA. 1.80mm - 1.88mm, 5mm MAX. LENGTH  
6. RECOMMENDED TORQUE: 576 gf-cm MINIMUM TO 864 gf-cm MAXIMUM.

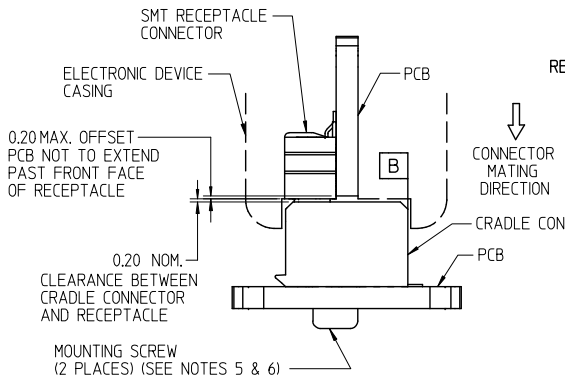
ADD TORQUE NOTE EC NO: UCP2009-1982 DRAWING/ORGAN 2009/02/17 CHK/CMBARA 2009/02/17 APPR: SILLER 2009/02/18 REV DESCRIPTION	QUALITY SYMBOLS	GENERAL TOLERANCES (UNLESS SPECIFIED)	SCALE 4:1	DESIGN UNITS METRIC	THIRD ANGLE PROJECTION	REVISE ON CAD ONLY															
	▽ 0	<table border="1"> <thead> <tr> <th></th> <th>mm</th> <th>INCH</th> </tr> </thead> <tbody> <tr> <td>4 PLACES</td> <td>± 0.13</td> <td>± 0.005</td> </tr> <tr> <td>3 PLACES</td> <td>± 0.13</td> <td>± 0.005</td> </tr> <tr> <td>2 PLACES</td> <td>± 0.13</td> <td>± 0.005</td> </tr> <tr> <td>1 PLACE</td> <td>± 0.13</td> <td>± 0.005</td> </tr> </tbody> </table>		mm	INCH	4 PLACES	± 0.13	± 0.005	3 PLACES	± 0.13	± 0.005	2 PLACES	± 0.13	± 0.005	1 PLACE	± 0.13	± 0.005	DIMENSION STYLE MM ONLY	DRAWN BY MSIMMEL DATE 2005/12/13	TITLE 0.8MM HANDYLINK™ 16 CKT CRADLE CONN. ASSY PERPENDICULAR TO PCB	
		mm	INCH																		
	4 PLACES	± 0.13	± 0.005																		
3 PLACES	± 0.13	± 0.005																			
2 PLACES	± 0.13	± 0.005																			
1 PLACE	± 0.13	± 0.005																			
▽ 0	ANGULAR ±1/2°	CHECKED BY MSIMMEL DATE 2005/12/13	APPROVED BY JCOMERCI	MOLEX MOLEX INCORPORATED	MATERIAL NO. 455600160	DOCUMENT NO. SD-45560-001															
	DRAFT WHERE APPLICABLE MUST REMAIN WITHIN DIMENSIONS	THIS DRAWING CONTAINS INFORMATION THAT IS PROPRIETARY TO MOLEX INCORPORATED AND SHOULD NOT BE USED WITHOUT WRITTEN PERMISSION																			

8 7 6 5 4 3 2 1

10 | 9 | 8 | 7 | 6 | 5 | 4 | 3 | 2 | 45560



**RECOMMENDED PCB LAYOUT**  
UNLESS OTHERWISE SPECIFIED  
TOLERANCES ± 0.05mm  
RECOMMENDED SOLDER PASTE THICKNESS  
0.13mm - 0.15mm (.005" - .006")



**RECOMMENDATION FOR CONFIGURATION OF MATED CONNECTORS**

**IMPORTANT:** PLEASE REFER TO MOLEX APPLICATION SPECIFICATION AS-44828-001 FOR DETAILED DESIGN LAYOUT AND MATING REQUIREMENTS

SEE SHEET 1 EC NO: UCP2009-1982 DRWNG: JORGAN 2009/02/17 CHKD: MABRRA 2009/02/17 APPR: SILLER 2009/02/18 REV:	QUALITY SYMBOLS ▽-0 ▽-0	GENERAL TOLERANCES (UNLESS SPECIFIED)		SCALE 5:1	DESIGN UNITS METRIC	THIRD ANGLE PROJECTION	REVISE ON CAD ONLY
		4 PLACES ± --- ± --- 3 PLACES ± --- ± --- 2 PLACES ± 0.13 ± --- 1 PLACE ± --- ± ---	DIMENSION STYLE MM ONLY	DRAWN BY MSIMMEL DATE 2005/12/13 CHECKED BY MSIMMEL DATE 2005/12/13 APPROVED BY JCOMERCI DATE	TITLE 0.8MM HANDYLINK™ 16 CKT CRADLE CONN. ASSY PERPENDICULAR TO PCB	MATERIAL NO. 455600160 DOCUMENT NO. SD-45560-001	SHEET NO. 2 OF 27
DRAFT WHERE APPLICABLE MUST REMAIN WITHIN DIMENSIONS		THIS DRAWING CONTAINS INFORMATION THAT IS PROPRIETARY TO MOLEX INCORPORATED AND SHOULD NOT BE USED WITHOUT WRITTEN PERMISSION					

8 | 7 | 6 | 5 | 4 | 3 | 2 | 1