

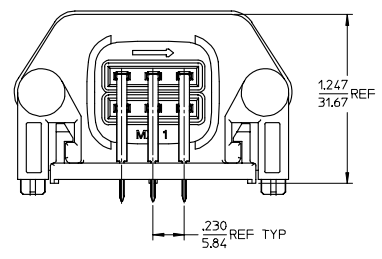
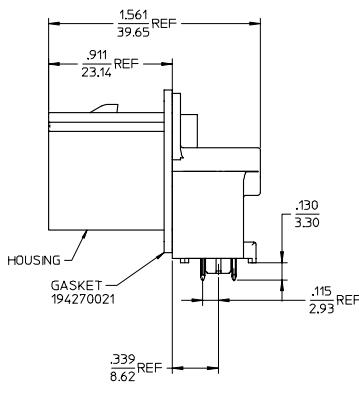
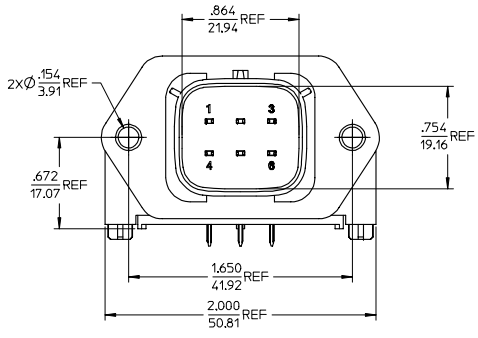
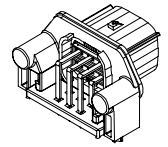
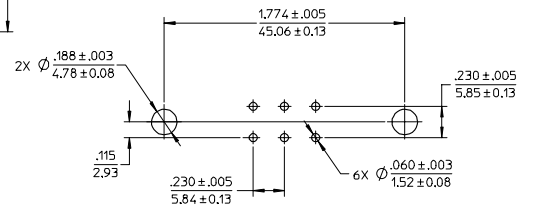
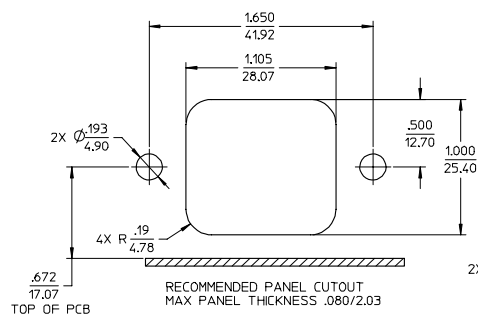
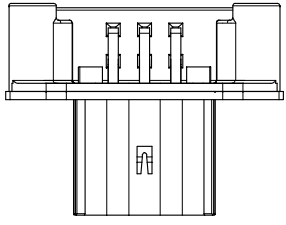
Excellent Integrated System Limited

Stocking Distributor

Click to view price, real time Inventory, Delivery & Lifecycle Information:

[Molex Connector Corporation](#)
[19427-0018](#)

For any questions, you can email us directly:
sales@integrated-circuit.com



- NOTES:
1. MATERIALS:
HOUSING: POLYESTER (PBT), GLASS FILLED, UL94 V-0,
COLOR: BLACK
TERMINALS: COPPER ALLOY
 2. FINISHES: 1. TIN ONLY: 100µN TIN OVER 50µN NICKEL
2. TIN/GOLD: 30µN SELECT GOLD (CONTACT MATING AREA),
100µN SELECT TIN (PCB TAIL AREA) OVER 50µN NICKEL OVERALL.
 3. PRODUCT SPECIFICATION: PS-19427-001.
 4. PACKAGING SPECIFICATION: PK-19427-001.
 5. MATES WITH: 19418 SERIES RECEPTACLE ASSEMBLIES.
 6. RECOMMENDED MOUNTING HARDWARE: (2)±10 X .62/18.9 LONG PLASTIC
THREAD CUTTING SCREWS, RECOMMENDED TORQUE 15-17 IN-LBS.
SUGGESTED SOURCE: ITW SHAKEPROOF INDUSTRIAL BOSSCREW OR EQUIVALENT.

REVISED IEC NO: ETC2006-0028 2005/10/10 DRAWN: JPAWL CK 2005/10/11 CHECKED: JPAWL CK 2005/10/11 APPROVED: RDEROSS 2005/10/11 DESCRIPTION 6 WAY RIGHT ANGLE HEADER ASSEMBLY	QUALITY SYMBOLS ▽=0 ▽=0	GENERAL TOLERANCES (UNLESS SPECIFIED)		DIMENSION STYLE IN/MM		SCALE 2:1		DESIGN UNITS INCH		PLATING TIN	
		4 PLACES ±.--- ±.--- 3 PLACES ±.--- ±.015 2 PLACES ±.38 ±.--- 1 PLACE ±.--- ±.---		DRAWN BY JLOMASTR 04/07/07 CHECKED BY JPAWL CK 04/07/09		DATE DATE		TITLE 6 WAY RIGHT ANGLE HEADER ASSEMBLY		SELECT GOLD/TIN	
DRAFT WHERE APPLICABLE MUST REMAIN WITHIN DIMENSIONS		ANGULAR ±1/2°		APPROVED BY RDEROSS 04/07/15		DATE DATE		MATERIAL NO. 194270106		DOCUMENT NO. SD-19427-021	
INCORPORATED AND SHOULD NOT BE USED WITHOUT WRITTEN PERMISSION		SEE CHART		THIS DRAWING CONTAINS INFORMATION THAT IS PROPRIETARY TO MOLEX		MOLEX INCORPORATED		SHEET NO. 1 OF 1		194270106	